

# SILENTMOVE™

## DIGITAL ELEVATOR LANDING SYSTEM

### OUTDATED OR INNOVATIVE? WHICH WOULD YOU PREFER?

#### INTRODUCING THE SILENTMOVE™ DIGITAL ELEVATOR LANDING SYSTEM—

the newest hoistway car location system for improved elevator control. This state-of-the-art system can be used with both hydraulic and traction elevator applications for heights up to 400 feet, and speeds up to 800 fpm. The highly accurate absolute encoders used with this system offer wear free performance, as they contain no gears, and do not require power to provide information due to patented EnDra® technology.

Encoders are available with a CANopen, CANopen Lift, RS485, or SSI interface for easy integration with your controller system. SilentMove Landing system come with all mounting and fastening hardware needed for quick and maintenance-free installation in the elevator shaft. This user-friendly system is a reliable upgrade from traditional selector tape based systems.

To learn more about the SilentMove™  
Digital Elevator Landing System, ask your  
Adams Sales Rep or visit [AdamsElevator.com](http://AdamsElevator.com).

# ADAMS


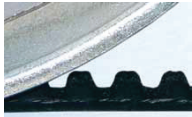

*More Parts Delivered Faster*

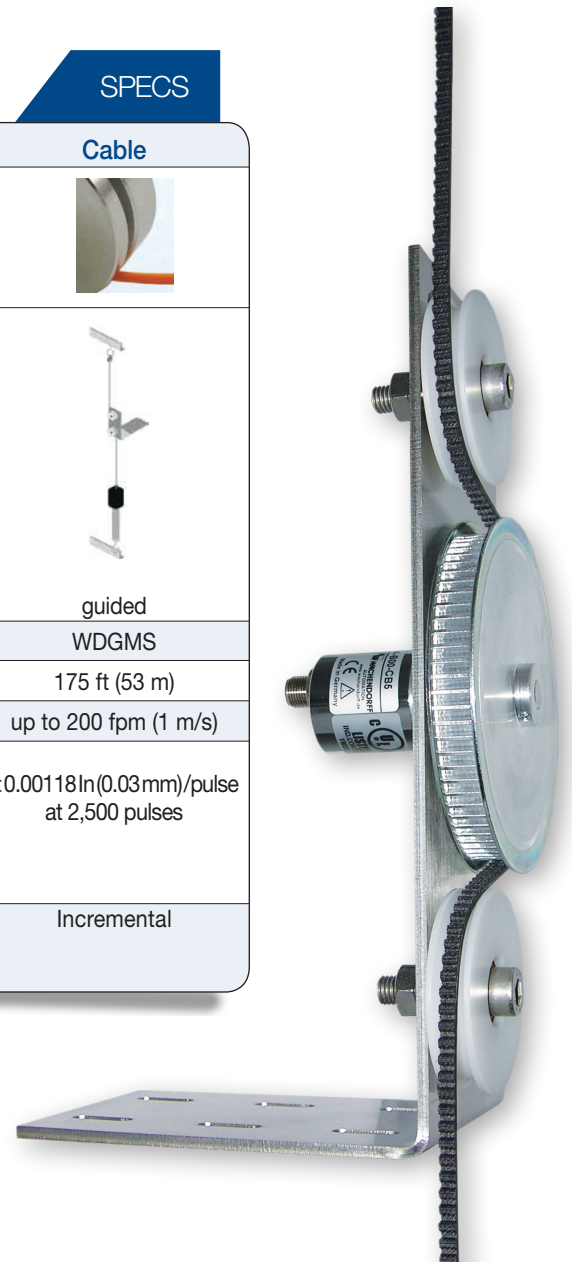
# SILENTMOVE™

## DIGITAL ELEVATOR LANDING SYSTEM

We offer several configurations that can be used in traction, hydraulic and residential applications. Our circumferential systems—where the encoder is in a fixed position—can operate at heights up to 230 feet, while our guided-belt systems—where the encoder travels with the car—can operate at heights up to 400 feet. For each of these configurations, our special nubbed belt—the quietest belt in our offering—or the toothed belt may be used. The Kevlar® cable-based system is most applicable for residential applications.

### SPECS

System	Silent Move		Silent Move light		Cable
Belt/Cable					
Description	circumferential	guided	circumferential	guided	guided
Type	WDGMSUN	WDGMSMN	WDGMSUZ	WDGMSMZ	WDGMS
Max height	230 ft (70 m)	400 ft (120m)	230 ft (70 m)	400 ft (120m)	175 ft (53 m)
Speed	up to 800 fpm (4 m/s)		up to 800 fpm (4 m/s)		up to 200 fpm (1 m/s)
Resolution	max. 0.00315 In (0.08 mm)/pulse at 5,000 pulses		max. 0.00283 In (0.072 mm)/pulse at 5,000 pulses		<0.00118In (0.03mm)/pulse at 2,500 pulses
Absolute	14 Bit < 0.00096 In (0.024 mm) 12 Bit < 0.00385 In (0.097 mm)		14 Bit < 0.00086 In (0.022 mm) 12 Bit < 0.00346 In (0.087 mm)		
Interface	Incremental, absolute CANopen, CANopen Lift, RS485, SSI		Incremental, absolute CANopen, CANopen Lift, RS485, SSI		Incremental



**ELEVATOR EQUIPMENT COMPANY**  
[www.adamselevator.com](http://www.adamselevator.com)  
 100 South Wacker Dr., Ste. 1250 | Chicago, IL 60606-4004 USA

**UNITED STATES**  
 Phone 800.929.9247  
 Fax 312.348.6162  
[adams.parts@adamselevator.com](mailto:adams.parts@adamselevator.com)

**CANADA**  
 Phone 800.268.5392  
 Fax 416.253.1662  
[adams.canada@adamselevator.com](mailto:adams.canada@adamselevator.com)

**INTERNATIONAL**  
 Phone 312.348.6161  
 Fax 312.348.6162