

Escalator SafetyStrip®

Keeps Passengers in the Safety Zone

The Escalator Industry's STRONGEST, NARROWEST Deflector Brush

The Escalator SafetyStrip® has been proven with over 25 years of dependable service and more than 25,000 installations worldwide. SafetyStrip's narrow aluminum extrusion – along with the exceptional strength of the strip brush – will stand up to the rigors of continuous use.

- ***Locked-in-bristle construction*** (“strip brush”)

The manufacturing method of choice when brush strength and durability are required.

- ***Most economical of all brushes available***

- ***No brush removes and reinstalls easier***

Mounting screws are concealed in countersunk holes between double-brush sections. If SafetyStrip ever needs to be removed, the screws can be removed and reinserted with the brushes in place.

- ***NEW ALUMINUM-ALLOY ALLOWS RADIUSED
END SECTIONS TO BE FORMED ON-SITE!
NO EXTENSIVE SURVEYS NECESSARY!***



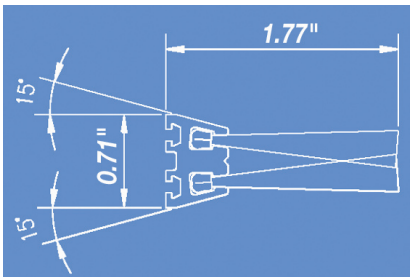
ADAMS

More Parts Delivered Faster

Escalator SafetyStrip®

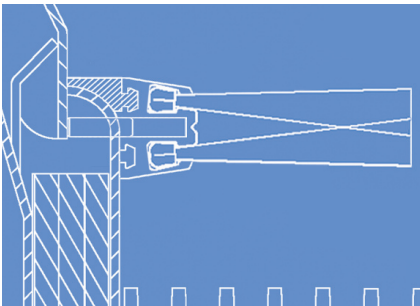
Keeps Passengers in the Safety Zone

Helps prevent side-of-step entrapment accidents on all escalators.



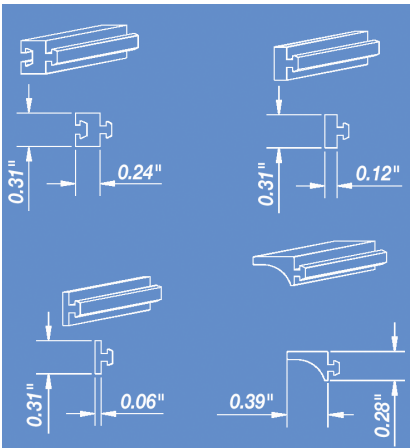
SafetyStrip Narrow Double

- Only 0.710" wide.
- Center mounting screws (concealed and countersunk) permit easy removal of sections without removing brushes separately.
- Extruded aluminum imparts lasting durability.



SafetyStrip Shown with Radius Adaptor (For Westinghouse L & M Escalators)

- Same configuration as above but used to gain additional clearance above steps.



SafetyStrip Filler Strips

- Slide easily into patented T-slots on backside of extrusions to allow parallel installations on uneven surfaces.

Survey worksheets available from
your Adams representative
or at www.adamselevator.com



SafetyStrip® meets A17.1 code requirements. Always check with your local code authority for acceptable installation clearances.

Don't go another day without protection.

Call Adams today at 1-800-929-9247 or visit www.adamselevator.com.

ADAMS

ELEVATOR EQUIPMENT COMPANY
www.adamselevator.com

6310 W. Howard Street • Niles, IL 60714-3480 USA

United States

Phone: 800-929-9247
Fax: 847-581-2949
adams_parts@adamselevator.com
adams_safety@adamselevator.com

Canada

Phone: 800-268-5392
Toronto: 416-253-6661
Fax: 416-253-1662

International

Phone: 847-965-0700
Fax: 847-965-3758