

New and Enhanced *HatchLatch*[®]

Locks the Door on Unsafe Elevator Cab Openings

Reduce your liability exposure with the *HatchLatch* cab door safety latch from Adams. Some of the most devastating accidents occur when riders pry open the doors of a stalled elevator and try to lower themselves to the landing below. The *HatchLatch* ensures elevator cab doors stay shut and locked between landing zones. Passengers are kept safely inside in the event of a stall or breakdown.

The Most Reliable – and Now You'll Know It

A cab door latch offers critical protection. You need reliable performance you can depend on day in and day out. *HatchLatch* offers a list of new self-monitoring features so you'll always know it's in place and getting the job done.

Redundant Circuitry keeps a single electrical failure from crippling essential operation.

NEW **Battery Backup** to maintain operation when mainline power is lost for up to 4 hours. Battery Monitor periodically tests battery strength and sounds an alarm and pulses an LED if battery power approaches an unsafe level.

NEW **Battery-Charging Control Circuitry** prevents low battery from drawing too much power and inhibiting proper AC operation of unit.

NEW **Solenoid Detection** control board monitors solenoid operations. It can detect plunger movement and any open circuit feeding the solenoid.

NEW **Photoeye Detection** control board detects failure of door zone photo eye and sounds an audible alarm.



***Meets A17.1 1996 (and subsequent)
Code for Door Restrictors***

ADAMS

More Parts Delivered Faster

New and Enhanced HatchLatch®

Locks the Door on Unsafe Elevator Cab Openings

HatchLatch® comes standard with all the material you need to protect one elevator up to five floors. To protect more than 5 floors, order additional reflective tape (see table below).

Here's how it works:

Reflective Tape

You position pieces of reflective tape in the hatchway inside the landing zone and on the door operator.

First Photoeye

When the first of the two HatchLatch photoeyes "sees" the tape in the hoistway, it senses that the elevator is inside the landing zone.

Second Photoeye

When the second HatchLatch photoeye "sees" the tape on the door operator, it picks up a solenoid-controlled plunger.

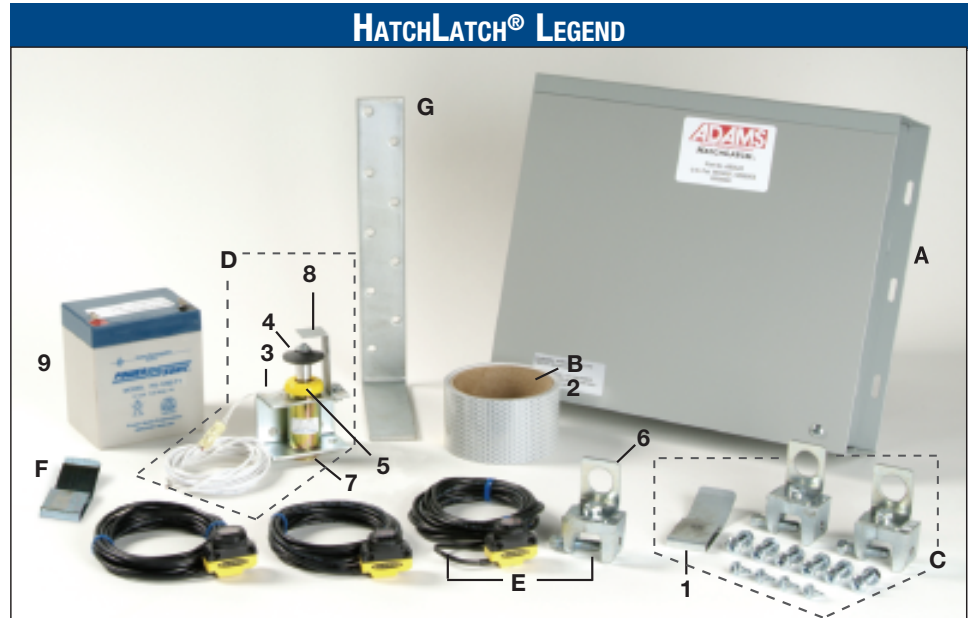
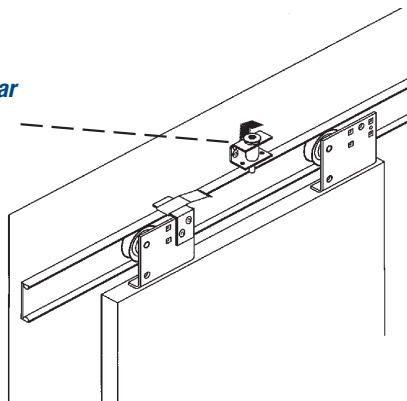
Plunger

The plunger rises out of the way, clearing the door roller or blocking bracket as the door opens.

No Exit! Zone

Between landing zones, the photoeye senses no tape reflection...and the plunger holds its door-blocking position.

Photoeyes mounted on the car signal a solenoid to "pick" a metal plunger and allow free door movement only when the car is safely inside a landing zone



HATCHLATCH® ENHANCED – COMPLETE		
Call out	Adams part no.	Description
A	A835RPLBOX	EDR ASS'Yw/Box (includes Battery)
B	A835R2	Reflective Tape, 2" x 10 ft (for up to 5 floors)
C	A835HKA3	Hard Ware Kit
D	A835SYSBK	Solenoid w/9ft cable and Z bracket
E	A835PH	Photoeye w/bracket and 9ft cable
F	A835RA	Reflective Angle
G	A835BB	Bracket, 7 GA x 5" x 10"
REPLACEMENT PARTS AND ACCESSORIES		
<i>Individually numbered items below are part of lettered sub-assemblies above.</i>		
Call out	Adams part no.	Description
1	A835MC	Hatch Latch "Money Clip"
2	A835R2P	Reflective Tape, 2" x 15 ft (for up to 75 floors)
3	A835S1	Solenoid w/ 9 ft cable
4	A835PL	Plunger for Solenoid
5	A835 DC	Dust cap for Solenoid plunger – yellow
6	A835PH – BTK	Bracket (for Photoeye)
7	A835SBA3	Solenoid Mounting bracket
8	A835ZC	Solenoid Plunger "Z" bracket
9	PS1250-F1	Battery
	A835XF	Hatch Latch Transformer (inside box, not shown)

HatchLatch—Reg. TM Adams Elevator Equipment Company; protected by U.S. Patent No. 5,655,627



ELEVATOR EQUIPMENT COMPANY
www.adamselevator.com

6310 W. Howard Street • Niles, IL 60714-3480 USA

United States

Phone: 800-929-9247
Fax: 847-581-2949
adams_parts@adamselevator.com
adams_safety@adamselevator.com

Canada

Phone: 800-268-5392
Toronto: 416-253-6661
Fax: 416-253-1662

International

Phone: 847-965-0700
Fax: 847-965-3758