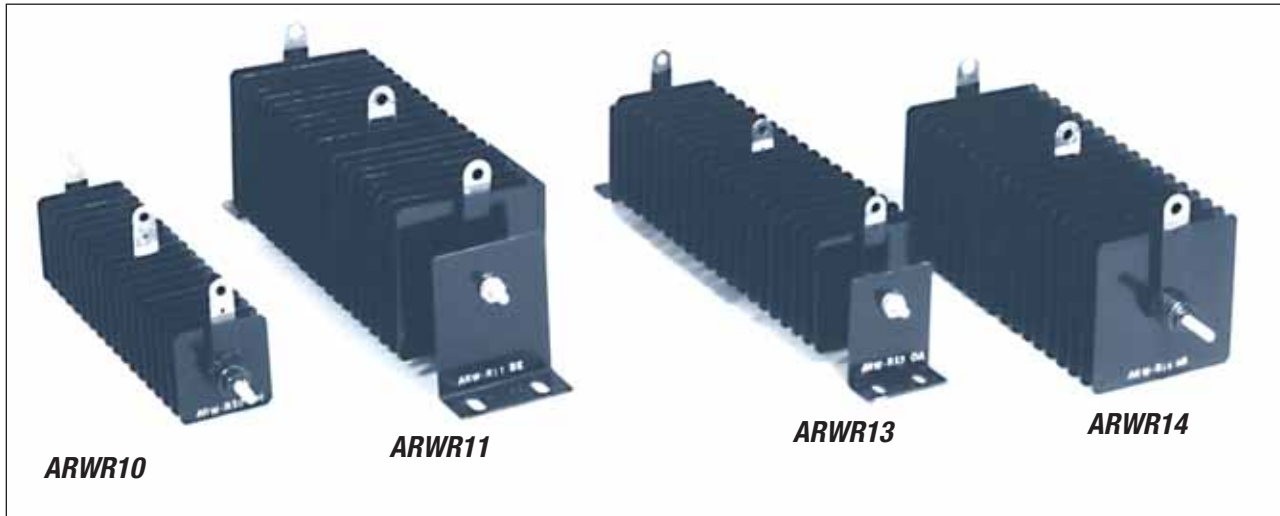


Index for Pages 118-138

| | | | |
|--|--------------|---------------------------------------|-----|
| Brushes..... | 128 | Safety Edge..... | 133 |
| Button assemblies..... | 134, 135 | Seals..... | 137 |
| Button components..... | 135 | Selector Tape..... | 129 |
| Cables..... | 132 | Spirator..... | 133 |
| Carbon Brushes..... | 128 | Stepping Switch components..... | 125 |
| Circuit Breaker..... | 128 | Supressor..... | 118 |
| Coils..... | 120-124, 126 | Timer Cards..... | 127 |
| Contact bases and components..... | 133, 136 | Timers..... | 127 |
| Contactor components..... | 123, 124 | Relay Parts | |
| Door Hanger assembly..... | 131 | Actuators..... | 121 |
| Door Interlock components..... | 132, 133 | Coils..... | 126 |
| Emergency Stop Switch - keyed..... | 136 | No. 1 Relay..... | 120 |
| Emergency Stop Switch - push pull..... | 136 | No. 2/2A Relay..... | 121 |
| Field Switch components..... | 122 | No. 3 Field Switch..... | 122 |
| Limit Switch..... | 131 | No. 3A Contactor..... | 123 |
| Packing Kits, Hydraulic..... | 137 | No. 5A Contactor..... | 124 |
| Photo Switch..... | 128 | Selector Parts #1 Stepping Relay..... | 125 |
| Rectifiers..... | 118, 119 | Selector Parts | |
| Relay components..... | 120, 121 | Parts for No. 1 Stepping Relay..... | 125 |
| Relay assemblies..... | 127 | Selector Tape..... | 129 |
| Rollers..... | 130-132 | | |

Replacement Rectifiers for Armor



| ARMOR RECTIFIERS | | | | | | | |
|------------------|--|--------------------------|---------------|--------------|-----------------------|-----------|------------------------|
| Adams part no. | Dimension (cell size x length*) | Electrical configuration | No. of plates | Max AC input | DC output per section | | Armor part no. |
| | | | | | Max. volts | Nom. amps | |
| ARWR10 | 1 ⁹ / ₁₆ " x 1 ⁹ / ₁₆ " x 6 ¹ / ₂ "L | Doubler | 18 | 234VAC | 265VDC** | 3.5** | C16S9D1S12G |
| ARWR11 | 2 ⁵ / ₈ " x 2 ⁵ / ₈ " x 7 ¹ / ₄ "L | Doubler | 20 | 260VAC | 290VDC** | 10.0* | 11282-01, C44S10D1H11G |
| ARWR13 | 2" x 2" x 7 ¹ / ₄ "L | Doubler | 20 | 260VAC | 290VDC** | 6.0** | C25S10D1H11G |
| ARWR14 | 2 ⁵ / ₈ " x 2 ⁵ / ₈ " x 6 ¹ / ₂ "L | Doubler | 18 | 230VAC | 265VDC** | 10.0** | 11298-01, C44S9D1512G |
| ARWR15 | 1" x 1" x 4 ¹ / ₂ "L | 1Φ doubler | 18 | 260VAC | 290VDC** | 1.2** | C6S10D1H12G |
| ARWR17 | 1 ⁹ / ₁₆ " x 1 ⁹ / ₁₆ " x 7 ¹ / ₄ "L | Doubler | 20 | 260VAC | 290VDC** | 3.5** | 11281-01, C16S10D1H11G |
| ARWR18 | 1" x 1" x 3 ¹³ / ₁₆ "L | Doubler | 18 | 234VAC | 265VDC** | 1.2** | 11296-01, C6S9D1512G |
| ARWR19 | 2" x 1 ¹ / ₄ " x 1 ¹³ / ₁₆ "L | Half-wave | 12 | 312VAC | 130VDC | 1.2 | 11288-01, C16-9919 |
| ARWR21 | 4" x 5 ³ / ₈ " x 9 ¹ / ₈ "L | Doubler | 20 | 260VAC | 290VDC** | 2.6** | 11279-01, C133S10DH11G |
| ARWR24 | 1 ³ / ₈ " x 1 ³ / ₈ " x 4"L | 1Φ bridge | 12 | 78VAC | 63VDC | 1.7 | 11286-01, C11S3B1H11G |
| ARWR25 | 1" x 1" x 1 ¹ / ₂ "L | Half-wave | 2 | 52VAC | 22VDC | 0.8 | 11290-01, C6S2H1E1G |

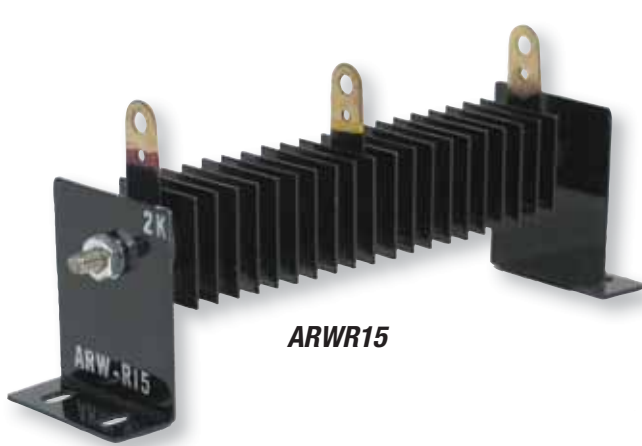
*Length is measured between 2 outermost terminals.

**These values apply for 3Φ configuration.



515775
Armor suppressor

Replacement Rectifiers for Armor



ARWR15



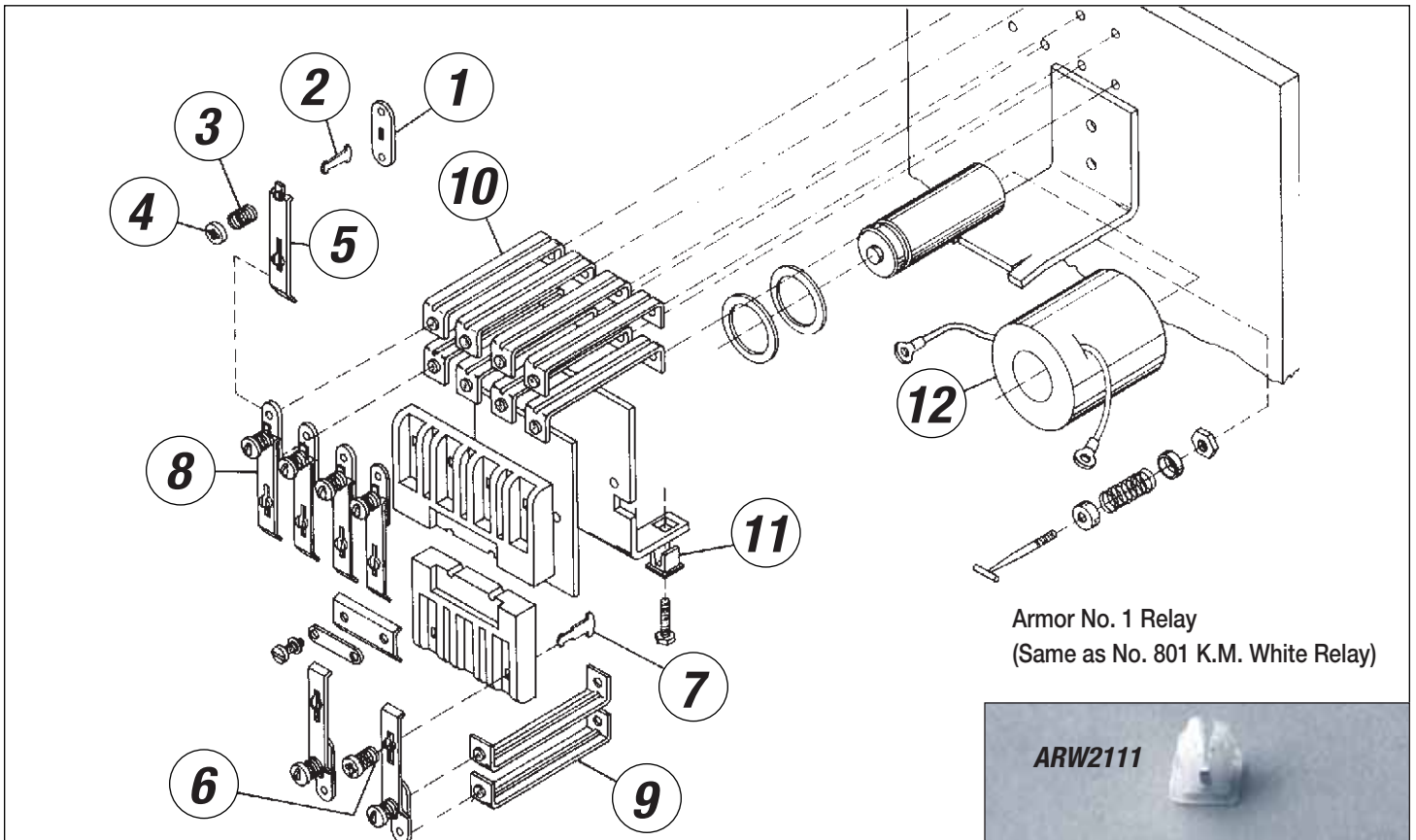
ARWR17



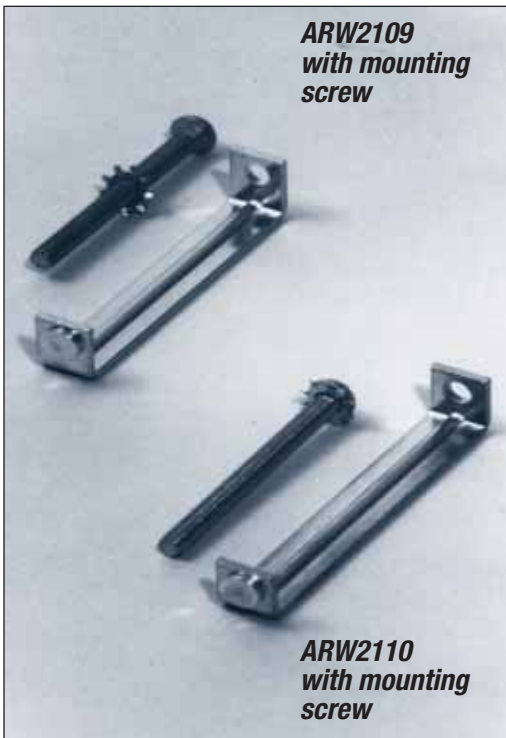
ARWR19



ARWR25



Armor No. 1 Relay
(Same as No. 801 K.M. White Relay)

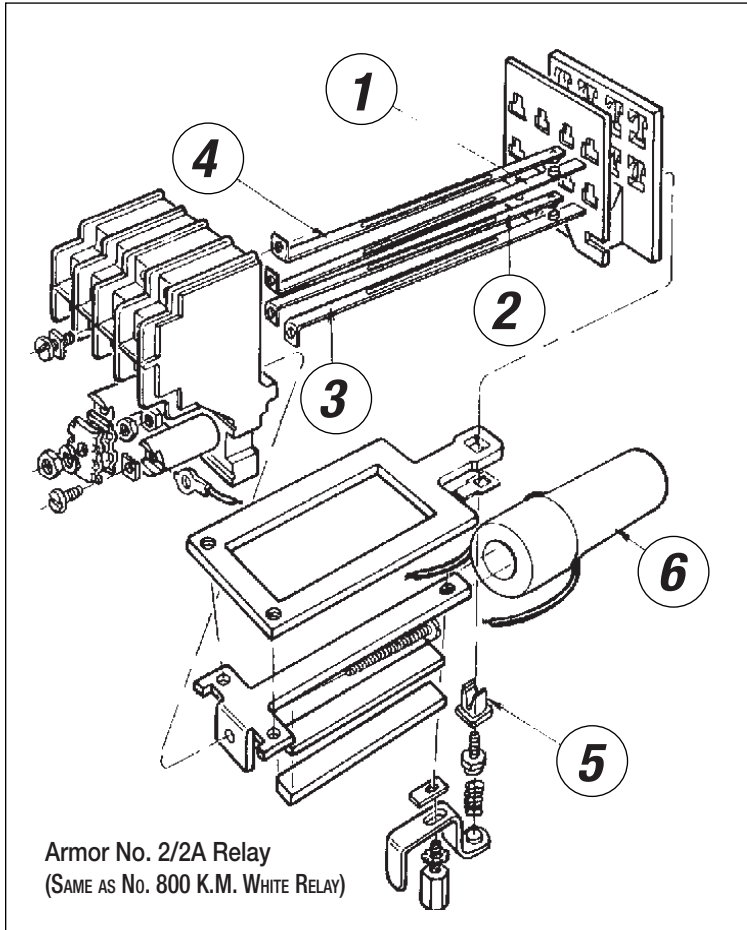


COMPONENTS FOR ARMOR NO. 1 RELAY

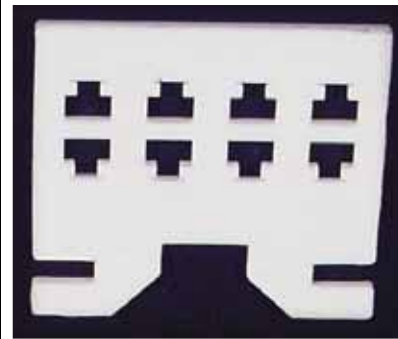
| Adams part no. | Key no. | Description | Armor part no. |
|----------------|---------|-------------------------------------|-------------------------------|
| ARW2101 | 1 | Contact bridge | 801-101-1*, A164046, 11182-01 |
| ARW2102 | 2 | Bridge "tee" | 801-102-1*, A002003, 10029-01 |
| ARW2103 | 3 | Bridge tee spring | 801-103-1*, A509096, 10745-01 |
| ARW2104 | 4 | Cup washer, 5/16" dia. | A-171003, 10636-01 |
| ARW2105 | 5 | Bridge finger w/hook | 801-105-1*, A288004, 10753-01 |
| ARW2106 | 6 | Spring for base block tee | A-509032, 10747-01 |
| ARW2107 | 7 | Base block tee | A-002002, 10028-01 |
| ARW2108 | 8 | Finger contact, complete | B-756006, 10442-01 |
| ARW2109 | 9 | Stationary contact, 2 1/4"L | A-164014, 11159-01 |
| ARW2110 | 10 | Stationary contact, 2 13/32"L | A-164015, 11160-01 |
| ARW2111 | 11 | Bushing, nylon | V-046020, 10338-01 |
| Kxxx** | 12 | Coil (see page 124 for Armor Coils) | |

*Old K.M. White number.

**Make sure you know voltage of application to order correct coil.



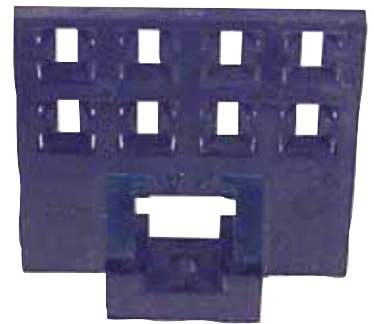
11141-44
Armor relay #2A



10744-05
Contact actuator for
11141-44 relay
(4NC/4NO)



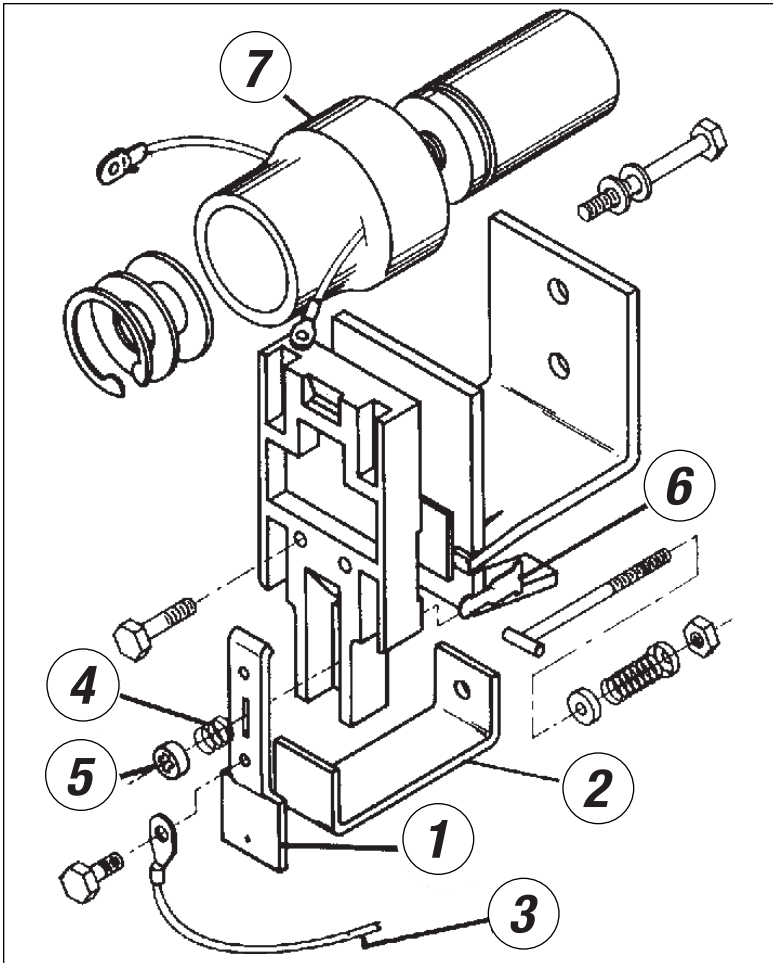
10480-01/K2101



10693-01
#2 Relay holder

COMPONENTS FOR ARMOR NO. 2/2A RELAY

| Adams part no. | Key no. | Description | Armor part no. |
|----------------|---------|---|---------------------|
| ARW2201 | 1 | Contact blade, fixed; 5 ¹ / ₄ "L | A-1640026, 11168-01 |
| ARW2202 | 2 | Contact blade, movable; 5 ¹ / ₁₆ "L | A-1640024, 11166-01 |
| ARW2203 | 3 | Contact blade, fixed; 4 ⁷ / ₈ "L | A-1640023, 11165-01 |
| ARW2204 | 4 | Contact blade, movable; 4 ¹ / ₁₆ "L | A-1640025, 11167-01 |
| ARW2111 | 5 | Bushing, nylon | V-0460020, 10338-01 |
| K2101 | 6 | Coil | A-158013-A |



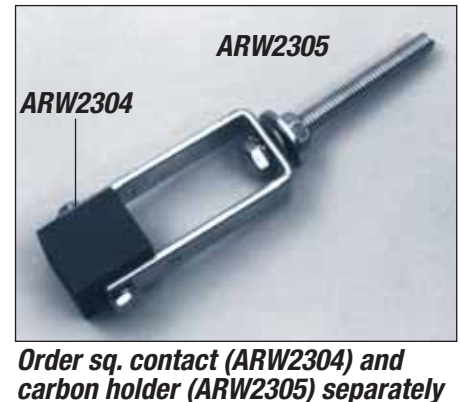
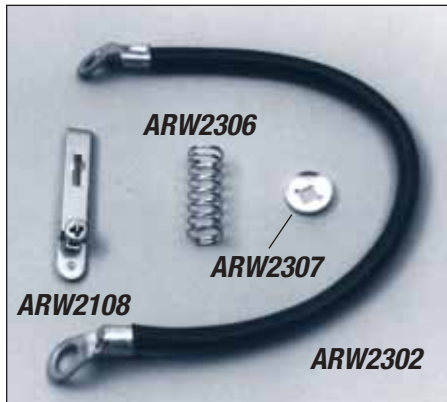
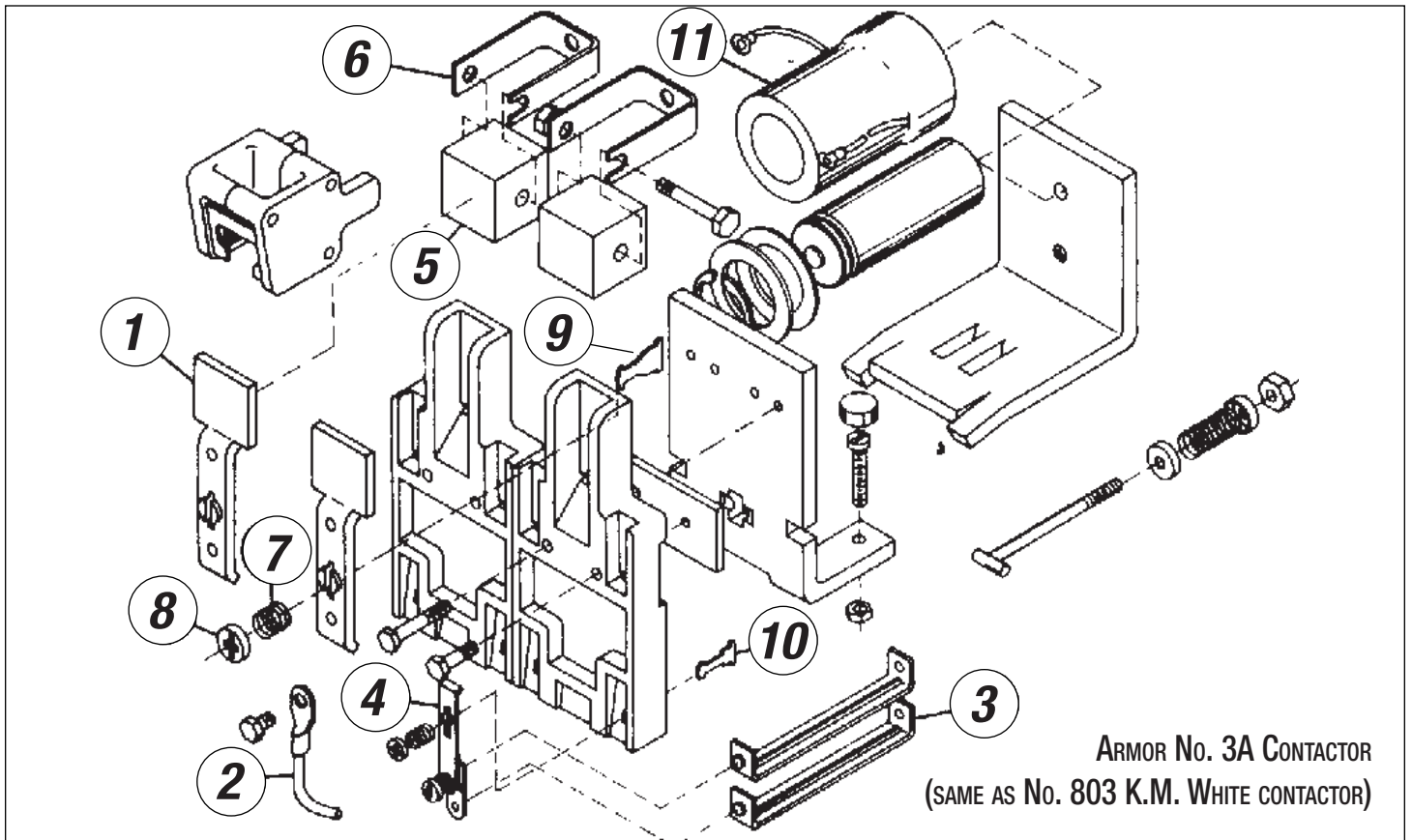
Armor No. 3 Field Switch
(Same as No. 804 K.M. White Field Switch)



COMPONENTS FOR ARMOR NO. 3 FIELD SWITCH

| Adams part no. | Key no. | Description | Armor part no. |
|----------------|---------|--|-----------------------------|
| ARW2401 | 1 | Copper paddle, 3 ⁹ / ₁₆ "L | A-164007, 11151-01 |
| ARW2402 | 2 | Copper contact, stationary | A-164011, 11156-01 |
| ARW2403 | 3 | Cable shunt, 8"L | A-521006, 10994-01, 349-001 |
| ARW2306 | 4 | T-lug tension spring | A-509023, 10746-01 |
| ARW2307 | 5 | Cup washer, 5/8" dia. | A-171001, 10634-01 |
| ARW2308 | 6 | T-lug | A-002004, 10030-01 |
| K1101 | 7 | Coil | A-158002A, LA201 |



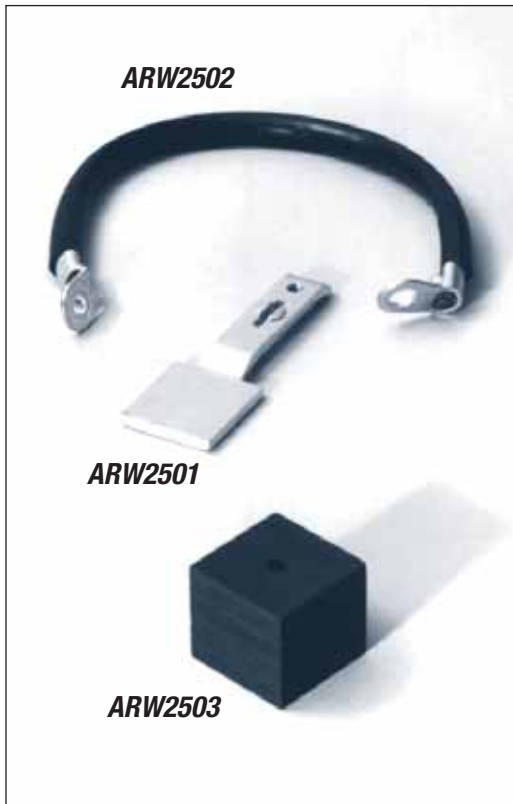
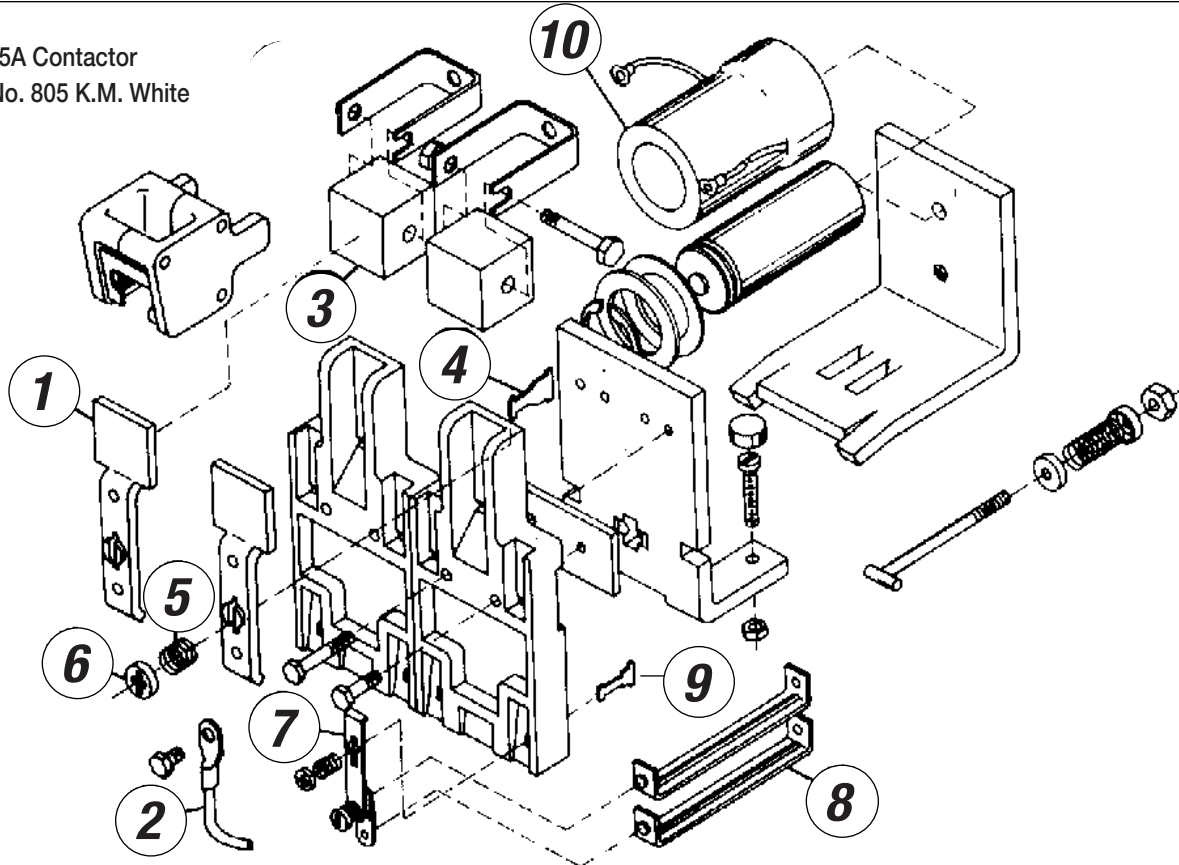


COMPONENTS FOR ARMOR NO. 3A CONTACTOR

| Adams part no. | Key no. | Description | Armor part no. |
|----------------|---------|--|-------------------------------|
| ARW2301 | 1 | Copper paddle, 3 ⁹ / ₁₆ "L; Cd plated | A-164006, 11151-01 |
| ARW2302 | 2 | Cable shunt, 11"L | A-521004, 10742-01, 349-003-5 |
| ARW2303 | 3 | Stat. contact w/screw & wash, 3 ¹⁷ / ₃₂ "L | A-164016, 11161-01 |
| ARW2108 | 4 | Contact assembly, complete | B-756006, 10042-01 |
| ARW2304 | 5 | Carbon contact, 1 ¹ / ₈ " sq. | A-164008, 11153-01 |
| ARW2305 | 6 | Carbon holder, 2 ¹⁵ / ₁₆ "L | A-283005, 10698-01 |
| ARW2306 | 7 | T-lug tension spring | A-509023, 10746-01 |
| ARW2307 | 8 | Cup washer, 5/8" dia. | A-171001, 10634-01 |
| ARW2308 | 9 | T-lug, 1 ¹ / ₂ "L | A-002004, 10030-01 |
| ARW2107 | 10 | Base block T-lug, 1 ³ / ₁₆ "L | A-002002, 10028-01 |
| Kxxxx* | 11 | Coil (See page 124 for Armor coils) | |

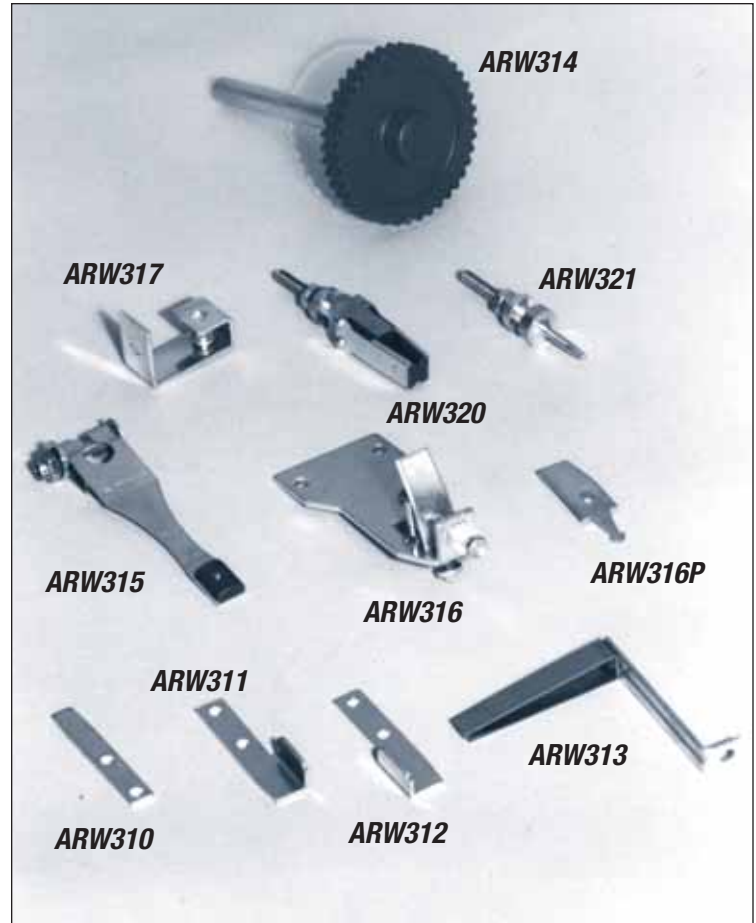
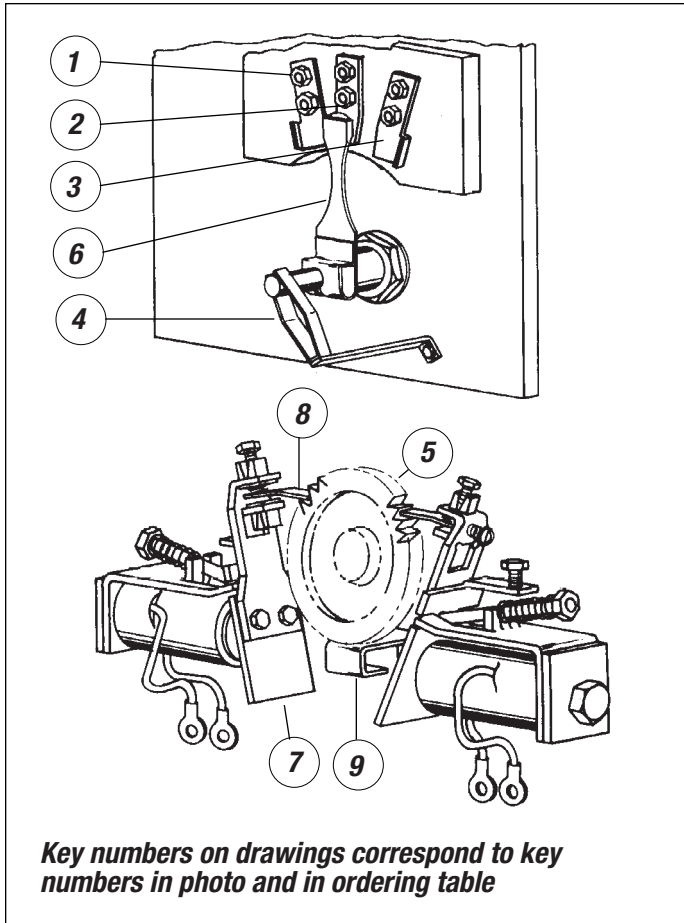
*Make sure you know voltage of application to order correct coil

Armor No. 5A Contactor
(Same as No. 805 K.M. White Contactor)



COMPONENTS FOR ARMOR NO. 5A CONTACTOR

| Adams part no. | Key no. | Description | Armor part no. |
|----------------|---------|---|-------------------------------|
| ARW2501 | 1 | Copper paddle, 4 ⁵ / ₃₂ "L | A-164009, 11154-01 |
| ARW2502 | 2 | Cable shunt, 13 ¹ / ₄ "L | A-521005, 12148-01, 349-003-5 |
| ARW2503 | 3 | Carbon contact, 1 ³ / ₈ "x1 ¹ / ₂ "x1 ¹ / ₂ " | A-164010, 11155-01 |
| ARW2308 | 4 | T-lug | A-002004, 10030-01 |
| ARW2505 | 5 | T-lug tension spring | A-509035, 10749-01 |
| ARW2307 | 6 | Cup washer, ⁵ / ₈ " dia. | A-171001, 10634-01 |
| ARW2108 | 7 | Contact assembly, complete | B-756006-01, 10442-01 |
| ARW2303 | 8 | Stat. contact w/screw & wash, 3 ¹⁷ / ₃₂ "L | A-164016, 11161-01 |
| ARW2107 | 9 | T-lug for base block | A-002002, 10028-01 |
| K1101 | 10 | Coil, 250VDC | A-158002A, LA201 |
| K1102 | 10 | Coil, 60VDC | A-158003, CLN2 |



| REPLACEMENT PARTS FOR NO. 1 STEPPING RELAY | | | |
|--|-------------|--|----------------------------|
| Adams part no. | Drawing key | Description | Armor part no. |
| ARW312 | 1 | Brass selector contact, right-hand | A-164029, 11171-01 |
| ARW310 | 2 | Brass selector contact, intermediate | A-164031, 11173-01 |
| ARW311 | 3 | Brass selector contact, left-hand | A-164030, 11172-01 |
| ARW313 | 4 | Brush assembly | A-767001, 10357-01 |
| ARW314 | 5 | Gear & shaft | C-252003, 10661-01 |
| ARW315 | 6 | Contact arm | B-008034, 10069-01 |
| ARW316 | 7 | Stepping arm assembly | A-008026, 10137-01 |
| ARW316P | 8 | Pawl only for ARW316 assembly | A-405002, 10712-01 |
| ARW317 | 9 | Detent housing with ball & spring | B-286028, 10662-01 |
| ARW320 | 10 | Selector brush w/metal graphite contacts; body = 1 ¹ / ₁₆ "L | A-363G1, A-47492, 10358-01 |
| ARW321 | 11 | Stationary contact stud, 2"L; 1/8" dia. point | A-2949, 10982-01 |

| ARMOR REPLACEMENT COILS | | | | |
|-------------------------|-------------|------------------------|---|---------------------|
| Adams part no. | Description | Current Armor part no. | Former Armor part numbers | K.M. White part no. |
| K1101 | 270VDC | 10470-01 | 0158 002, 140-6011-01, MC1000 | LA 201 |
| K1102 | 80VDC | 10471-01 | 0158 003, 140-6011-03, MC218 | CLN2 |
| K1103 | 270VDC | 10473-01 | 0158 005, 140-6006-05, AR 7240 | LA 124 |
| K1104 | 80VDC | 10477-01 | 0158 010, 140-6006-03, AR 324 | LA 462 |
| K1105 | 7VDC | 10478-01 | 0158 011, 140-6006-01, AR 14 | LA 411 |
| K1106 | 110VDC | 10501-01 | 0158 041, 140-6006-07, AR 683 | — |
| K1107 | 110VDC | 10476-01 | 0158 008, 140-6006-09, AR 2000 | LA 100 |
| K1108 | 240VDC | 10472-01 | 0158 004, 140-6011-02, MC2500 | LA 127 |
| K1110 | 270VDC | 10474-01 | 0158 006, 140-6006-04, AR 4840 | LA 226 |
| K1111 | 60VDC | 10475-01 | 0158 007, 140-6006-08, AR 450 | LA 219 |
| K2101 | 140VDC | 10480-01 | 0158 013, 140-6003-03 | LA 1331 |
| K2102 | 110VDC | 12076-01 | 0158 025, A28742P1, 0158 039, A41042P1, 0158 053, A47451P1, 139-003-01, 140-6003-01 | LA 1401 |
| K2103 | 55VDC | 10745-01, 12076-02 | 0158 026, A28742P2, A41042P2, 0158 054, A47451P2, 139-0003-02, 140-6003-02 | LA 1402 |
| K3101 | 55VDC | 12077-02 | 140-6021-02, 6021.02QC | |
| K3102 | 110VDC | 12077-01 | 140-6021-01, 6021.01QC | |



**10604-01
Coil
110VDC**



**13036-01
Coil
110VDC**



**10470-01
K1101**



**10474-01
K1110**



**10477-01
K1104**



**10473-01
K1103**



**10480-01
K2101**



**12076-02
K2103**



**10472-01
K1108**



**10476-01
K1107**



**10501-01
K1106**



**10471-01
K1102**



**12076-01
K2102**



**10475-01
K1111**



**12077-01
K3102**



**10478-01
K1105**



**12077-02
K3101**

Replace Outdated Capacitor Technology with Solid-State Timers

HOW TO SET TIMERS

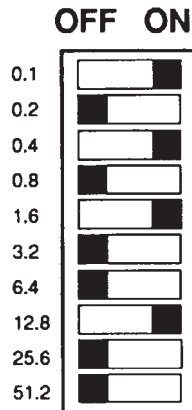
Start with your target time; in *Sample 1*, it is 14.9 seconds. Working up from the bottom of the switch panel, find the largest time interval *that is still less than your target number* and move that switch to the right (ON).

Then proceed up the dip-switch panel, turning each switch to the ON position if you can add that number to the time intervals already in the ON position and still not go over your target time. When you reach the top, you will have set the timer to your target time. *Sample 2* shows how to set the timer for 266 seconds.

- Adjustable time range from .1 to 1023 seconds
- All common voltages available
- Easy mounting
- Set and forget



| TIMING/VOLTAGE CHART | | | | | |
|----------------------|-------|--------|---------|------------|-------------------|
| Adams Part no. | Delay | Volts | Current | Time Range | Dimensions LxWxH" |
| A103A1 | on | 20-120 | AC/DC | 0.1-102.3 | 2 x 3/4 x 2 |
| A103A2 | on | 90-240 | AC/DC | 0.1-102.3 | 2 x 3/4 x 2 |
| A103A3 | on | 20-120 | AC/DC | 1-1023 | 2 x 3/4 x 2 |
| A103A4 | on | 90-240 | AC/DC | 1-1023 | 2 x 3/4 x 2 |



Sample 1:
14.9 sec.

**A103A1, A2,
B1, B2 and C1**

| REPLACES ARMOR TIMERS | |
|-----------------------|---------------|
| Armor Timer | Adams Timer |
| C058-8261-01 | A103A2 |
| C058-8261-02 | A103A2 |
| C058-8261-04 | A103A1 |
| C058-8261-05 | A103A1 |
| C058-8262-01 | A103A1 |
| C058-8262-02 | A103A1 |
| C058-8262-03 | A103A1 |



C058826104
Armor timer, 110VDC;
0.1-1 sec.



C058826102
Timer
5.5 sec-250VDC



C058826101
Timer
1.1 sec-250VDC



C058826202
Timer



C058826203
Armor timer card



C058826105
Armor timer, 110VDC;
0.5-5 sec.

RELAYS



14934-01
Relay, 220VAC



13632-01
Relay, 110VDC

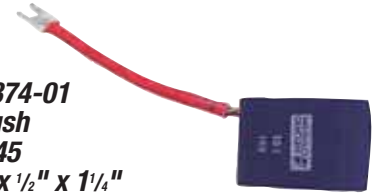


13633-01, Relay

Carbon Brushes



| CARBON BRUSHES | | |
|----------------|----------|-------------------------|
| Adams part no. | Material | Dimensions |
| ARW750 | Carbon | 1 1/2" x 1" x 1/4" |
| ARW751 | Carbon | 2" x 1 1/4" x 3/8" |
| ARW752 | Graphite | 2" x 1 1/4" x 5/16" |
| ARW753 | Carbon | 1 1/2" x 1" x 3/8" |
| ARW755 | Carbon | 1 1/2" x 1" x 1/4" |
| ARW756 | Carbon | 1 3/4" x 1 1/4" x 5/16" |
| ARW757 | Carbon | 1 3/4" x 1 1/2" x 3/8" |
| ARW758 | Carbon | 2" x 1 1/4" x 5/16" |
| 10374-01 | Carbon | 2" x 1 1/4" x 1/2" |



10374-01
Brush
SA45
2" x 1/2" x 1 1/4"

Transformers and Switches



ARW1010
Armor #136A8



11810-01
Armor Transformer
75V



11977-01
Armor microswitch



129-0586-01
Armor circuit breaker



13626-03
Armor photo switch



13626-01
Armor photo eye switch



13626-04
Armor level switch



ARW470S1
Armor magnetic switch

The finest selector tape produced

No OTHER TAPE MANUFACTURER COMES CLOSE

Decades of fine-tuning have yielded one of the most sophisticated, most closely controlled manufacturing processes you're likely to find anywhere: the Adams selector tape process.

AAA-grade blue polished spring steel is combined with production methods that guarantee accuracy of intervals between each and every perforation.

All Adams tape is "mill certified" for metallurgical quality. Then it's stamped on a special "straight side" stamping press which is capable of producing tape to exacting specifications.

Adams'-designed "one of a kind" optical monitoring device inspects all new tape as it leaves the press. Any deviation from perforation centers of $1.000" \pm 0.0002"$ over 27 perforations is rejected. This is important because this is the riding distance over the sheave where accuracy is critical.

ARW300 selector tape replaces Armor part no. U5-4415-1 tape (10978-02). Mechanics who have installed our tape once insist on it for every job. Cab levelling and selector adjustments are easier when the selector tape being installed is manufactured to such tight tolerances.

ARW300. Selector tape. Order by the foot.



Quality machinery, optical monitoring, superior tooling, and skillful set-up ensure that all ARW300 selector tape perforations are centered precisely on 1.000" centers



Long-life SPx⁸⁰™ “Quiet Poly” replacement guide rollers



AN ADAMS EXCLUSIVE YOU CAN'T AFFORD TO BE WITHOUT!

You can't get a more quiet ride out of guide rollers than with our SPx⁸⁰™ **Quiet Poly**. They give you the quiet ride you enjoy with rubber PLUS these added advantages:

- Quiet Poly lasts longer than rubber
- Stands up to petroleum products that can invade hoistway and reduce roller life
- Resists ozone degradation

Try a Quiet Poly alternative next time you're replacing a guide roller.

GUIDE ROLLERS

| Adams part no. | Description | O.D. | I.D. | Width | Material | Armor part no. |
|----------------|--|---------------------------------|---------|--------|---------------------|------------------------------|
| ARW410 | Plastic cable roller | 2 ³ / ₈ " | 0.3937" | 0.467" | HDx ⁹⁵ ™ | 13218-01, A-491053 |
| ARW420S | Counterweight guide roller for #3 assy., face roller with bushing for straight axle shaft | 3 ¹ / ₂ " | 0.6696" | 1.052" | SPx ⁸⁰ ™ | 11942-01, B-653010, A-471002 |
| ARW420 | Same as ARW420S | 3 ¹ / ₂ " | | | HDx ⁹⁵ ™ | 11942-01, B-653010, A-471002 |
| ARW421S | Same as ARW420S, with eccentric axle shaft | 3 ¹ / ₂ " | 0.6696" | 1.052" | SPx ⁸⁰ ™ | 11941-01, B-653009 |
| ARW421 | Same as ARW421S | 3 ¹ / ₂ " | | | HDx ⁹⁵ ™ | 11941-01, B-653009 |
| ARW422S | Guide roller for #7 roller guide wheel, heavy die-cast aluminum wheel. Face roller with bushings for straight axle | 7" | 0.6693" | 1.125" | SPx ⁸⁰ ™ | 11940-01, B-653003 |
| ARW422 | Same as ARW422S | 7" | | | HDx ⁹⁵ ™ | 11940-01, B-653003 |
| ARW423S | Same as ARW422S, with 5/8"-dia. eccentric axle shaft | 7" | 0.6693" | 1.125" | SPx ⁸⁰ ™ | 11939-01, B-653002 |
| ARW423 | Same as ARW423S | 7" | | | HDx ⁹⁵ ™ | 11939-01, B-653002 |
| D421S | Precision-machined die-cast hub with 0.06693" I.D. bearing | 4" | 0.6693" | 0.785" | SPx ⁸⁰ ™ | A744-6370-01 |
| D421 | Same as D421S | 4" | | | HDx ⁹⁵ ™ | A744-6370-01 |

DOOR HANGER ASSEMBLIES



ARW401. Door hanger roller wheel, 3¼" O.D. with concave polyurethane tire; 0.6693" bearing. Replaces Armor part nos. 11929-01 and A-491101.

ARW402. Hanger assembly for No. 1 hatch door hanger & track; base dimensions 5"W x 4½"H; incl. 3¼" dia. steel roller, ¾-16 mounting bolts, nuts, and ARW407 oil wiper. Replaces Armor part nos. 12103-01 and B-733004.

ARW403. Replacement 3¼" dia. steel roller (convex) for ARW402 hanger assembly; 0.6693" bearing. Attaches to assembly with removable retaining ring. Replaces Armor part no. B-025014.

ARW404. Hanger assembly. Same as ARW402, with polyurethane roller instead of steel. Replaces Armor part nos. 12103-01 and B-733004.

ARW405. Replacement 3¼" dia. polyurethane roller (convex) for ARW404 hanger assembly; 0.6693" bearing. Attaches to base with removable retaining ring.

ARW406. Replacement eccentric upthrust roller for ARW402 & ARW404 hanger assemblies; 1⅞" dia. nylon wheel. Replaces Armor part nos. 11971-01 and A-776005.

ARW407. Oil wiper for No. 4 hanger sheave assembly; for ARW402 and ARW404 hanger roller assemblies. Replaces Armor part nos. 11943-01 and V-654002.



11912-01
Pickup roller



11929-03
Car door roller



11972-01
Eccentric upthrust roller assembly



13320-01
Bell crank



B723001
Limit switch (KONE # 5181303)



515604
Limit switch



12419-01
Door hanger sheave

Door interlock components

Adams manufactures the major replacement components for Armor's No. 1 Sliding Door Interlock. We also manufacture contacts and cams for the power door operator.

You'll find Adams quality built into all of these parts: interlock switch assemblies, latch lever (keeper), cable reel door closer (spirator), and clutch assembly components.

Refer to the numbered items in the drawings and also to the photographs and part numbers to identify the parts you need.

ARW470S1
N.C. PM Magnetic Switch. Kone #509085.
120V 50W

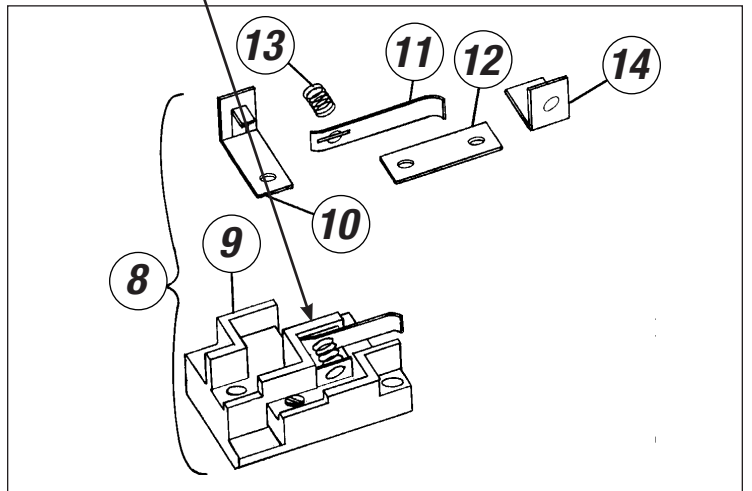
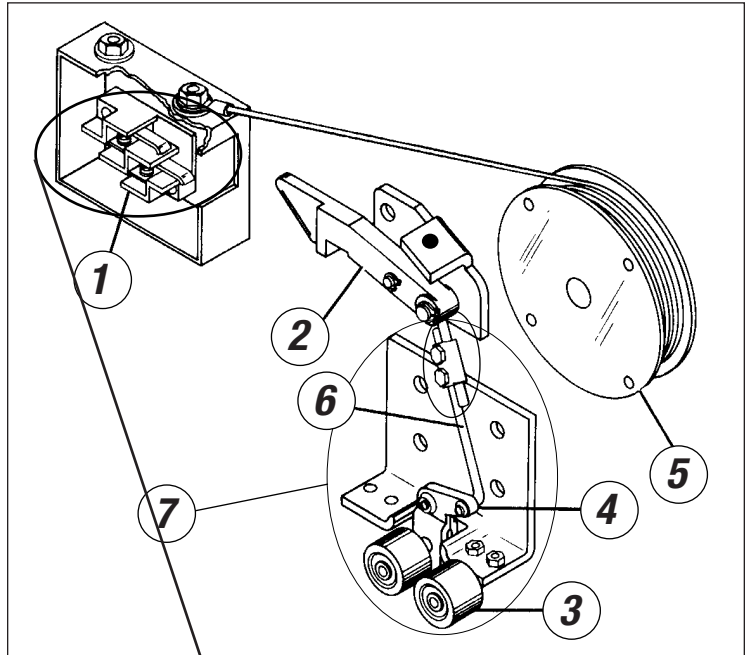


ARW470S2
N.O. Magnetic Switch. 110VDC

ARW470C1
Catch for #1 Clutch, Kone #502035
Armor #10350-01



A392501
Armor interlock



CABLES



10341-01
Armor cable



12501-01
Armor cable kit



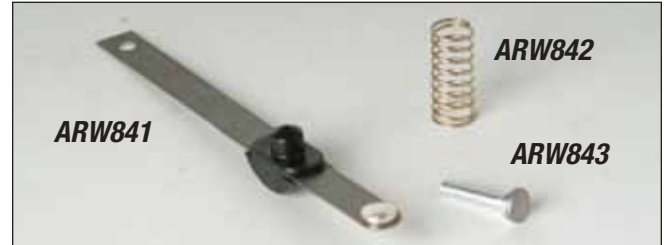
| CONTACT BASE ASSEMBLY & COMPONENTS | | | |
|------------------------------------|-----------|---------------------------------------|--------------------|
| Adams part no. | Draw. no. | Description | Armor part no. |
| ARW820R | 1, 8 | Contact base assembly, RH (shown) | A-749019, 12679-01 |
| ARW820L | 1, 8 | Contact base assembly, LH (op. shown) | A-749007, 12680-01 |
| ARW821R | 9 | Base w/out contacts, RH (shown) | B-021025, 10210-01 |
| ARW821L | 9 | Base w/out contacts, LH (op. shown) | B-021026, 11995-01 |
| ARW822 | 10 | Stationary contact | A-164045, 11181-01 |
| ARW823 | 11 | Movable contact | A-164004, 11150-01 |
| ARW824 | 12 | Shunt | A-521002, 11997-01 |
| ARW825 | 13 | Compression spring | A-509042, 11996-01 |
| ARW826 | 14 | Spring seat | A-520006, 12102-01 |

| INTERLOCK ASSEMBLY & COMPONENTS | | | |
|---------------------------------|-----------|---|--------------------|
| Adams part no. | Draw. no. | Description | Armor part no. |
| ARW832 | 2 | Latch keeper; aluminum bronze w/insulated plastic nose & copper contact bridge; order link separately, below (ARW832L) | B-326005, 11905-01 |
| ARW832L | 6 | Fixed link for ARW832 latch keeper | A-343018, 11909-01 |
| ARW835 | 3 | Roller assembly w/ solid polyurethane roller, 1 1/4" O.D. x 7/8"; incl. steel axle & circular retaining clip; for No. 1 interlock & door clutch | A-466022, 11921-01 |
| ARW836 | 4 | Interlock lever, No. 1 (LH & RH) | B-339023, 11907-01 |
| ARW837L | 7 | Release assembly, complete, LH (op. shown) | B-787004, 11966-01 |
| ARW837R | 7 | Release assembly, complete, RH (shown) | B-787003, 11965-01 |



| NO. 3 OPERATOR PARTS | | |
|----------------------|-------------------------|--------------------|
| Adams part no. | Description | Armor part no. |
| ARW841* | Movable contact | A-164035, 11177-01 |
| ARW842* | Stationary contact stud | A-164036, 11178-01 |
| ARW843* | Stationary contact | A-164034, 11176-01 |
| ARW844* | Spring | A-509018, 12610-01 |
| ARW845 | Cam for No. 3 Operator | B-144001, 10349-01 |

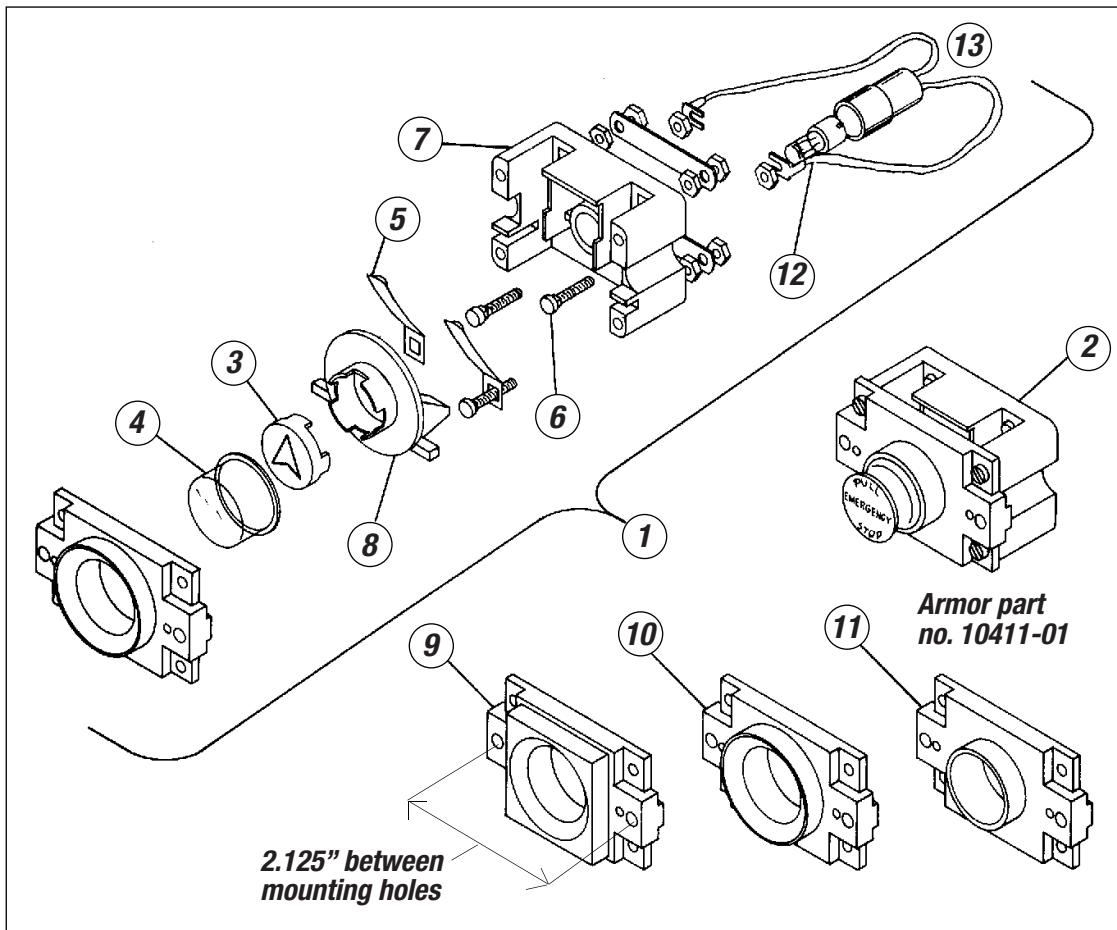
*Also used on Armor #4 operator.



| NO. 3 SAFETY EDGE | | |
|-------------------|---|------------------------------|
| Adams part no. | Description | Armor part no. |
| ARW855L | Roller arm, LH; retracts safety edge nose via steel cable; incl. one (1) ARW835 roller ass'y. | A-008015, A-787007, 10091-01 |
| ARW855R | Roller arm, RH; same as above | A-008012, A-787007, 10088-01 |

| SPIRATORS | | | |
|----------------|-----------|---------------------------------|----------------|
| Adams part no. | Draw. no. | Description | Armor part no. |
| A831 | 5 | Heavy-duty spirator, 5" dia. | 783001 |
| A832 | 5 | Standard-duty spirator, 5" dia. | 783001 |
| W832 | 5 | Spirator, 6" dia. | — |
| A831B | — | Spirator mounting bracket | — |

Adams quality assures consistent performance and appearance in all pushbutton components



Adams pushbuttons provide the appearance *your customer* will like and the level of performance *you* will like.

Adams manufactures replacements for Armor pushbuttons in all five styles of Armor halo. See the following drawings and photographs to identify the model or subcomponent you need.

All standard characters (and many special ones) are available. Call your Adams sales rep for verification.

How do you maintain a uniform appearance from character to character on every elevator pushbutton? **Hot stamping.** No other button character process produces the same consistency of stroke width and character height. Hot-stamped characters are **designed to be identical.** And the Adams hot stamping process guarantees that you get uniform, eye-pleasing characters...button after button after button.

Replacement pushbutton assemblies



How to order complete pushbutton assemblies:

- 1) Find the halo style you need (use drawing on previous page, picture above, or picture and chart below).
- 2) Add suffix to pushbutton part no. that corresponds to the character you want.

Example: ARW450A2-3 is a replacement for Armor (ARW) pushbutton switch assembly with a square black halo (450A2) and the numeral "3" on the button [-3].

| COMPLETE PUSHBUTTON ASSEMBLIES | | | | | |
|--------------------------------|----------|--------------|----------|-------------------------|----------------|
| Adams part no. | Fig. no. | Description | Contacts | Includes halo see below | Armor part no. |
| ARW450A1 | 1 | White square | 2NO | ARW450H1 | C-37297 |
| ARW450A2 | 1 | Black square | 2NO | ARW450H2 | C-37297 |
| ARW450A3 | 1 | White round | 2NO | ARW450H3 | C-37297 |
| ARW450A4 | 1 | Black round | 2NO | ARW450H4 | C-37297 |
| ARW450A5 | 1 | Black round | 2NO | ARW450H5 | C-37297 |



Order replacement halos, lamps, and lamp sockets for all replacement Armor pushbuttons from the table at right. See drawing & photos to identify the style you need.

| HALO & LAMP ORDERING INFORMATION | | | |
|----------------------------------|---------|---------------------------------------|--------------------------|
| Adams part no. | Key no. | Description | Armor part no. |
| ARW450H1 | 9 | White, 1.362" square | C-27809A, 11144-01 |
| ARW450H2 | 9 | Black, 1.362" square | A-20798B, 11144-02 |
| ARW450H3 | 10 | White, 1.362" dia. round | A-20725W, 11143-01 |
| ARW450H4 | 10 | Black, 1.362" dia. round | A-20725B, 11143-02 |
| ARW450H5 | 11 | Black, 0.987" dia. round | 11146-02, Armor Type 24B |
| A480L15 | 12 | Miniature bayonet lamp, 120V; 10/pkg. | |
| ARW450L2 | 13 | Lamp socket | |

These black or white button inserts (shown on previous page as Fig. 3) are economical replacements for damaged button characters. Available in all characters and symbols.

Clear plastic caps (Fig. 4, prev. pg.) also available below.

Button Inserts for switch assemblies



| BUTTON INSERTS FOR SWITCH ASSEMBLIES | | | |
|--------------------------------------|---------|--|-------------------|
| Adams part no. | Key no. | Description | Armor part no. |
| ARW450B1 | 3 | White plastic button w/black characters: add suffix for characters | A32120, 11133 |
| ARW450B2 | 3 | Black plastic button w/white characters: add suffix characters | A32120, 11134 |
| ARW450BC1 | 4 | Clear impact-resistant plastic protective cap, .493" High | A320111, 10431-01 |
| ARW450BC2 | - | same as above, extended, .660" High | - |



All nine models of our replacement STOP switches have red buttons with "Pull to STOP, Push to Run" molded in white. Electrical configuration is 2 NC contacts with 1 NO auxiliary contact. They replace Armor part no. 10411-01. ARW471A7 has aluminum button, others plastic.

Choose the halo style you need from the listing at right. See photos above to confirm your selection. Replacement halos are available separately on page 135.

| STOP SWITCHES | | | | | |
|----------------|----------------|-------------------------------|-----------------------|------------|-------------------------------|
| Adams part no. | Component no.* | Fits halo (see previous page) | Adams part no. | Draw. no.* | Fits halo (see previous page) |
| ARW471A1 | 2 | ARW450H5 | ARW471A6 | 2 | no halo |
| ARW471A2 | 2 | ARW450H4 | ARW471A7 | 2 | — |
| ARW471A3 | 2 | ARW450H1 | ARW471A8 | 2 | — |
| ARW471A4 | 2 | ARW450H2 | ARW471A9 | 2 | — |
| ARW471A5 | 2 | ARW450H3 | ARW471V6 vertical-mt. | | ARW471A6 |



KEYED STOP SWITCH

ASME A17.1, 210.2(v), 1990 requires keyed STOP switches in new passenger elevators where STOP switches are specified. Conventional push/pull STOP switches give vandals a chance to leave elevators stranded, criminals time to stop between floors to rob tenants, and passengers the ability to interrupt elevator operation unintentionally by just leaning against the panel. Our keyed switch eliminates these opportunities. Keyed to AE102.

ARW471K1 for a round-halo switch. ARW471K2 for a square-halo switch.



| CONTACT BASES, CAM, LAMP | | |
|--------------------------|----------------|--|
| Adams part no. | Component no.* | Description |
| ARW450D1 | 7 | Switch base with bulb socket, no contacts; replaces Armor part no. B-37038 |
| ARW450D2 | 8 | One-piece contact cam actuator; replaces Armor part no. B-37039A, B-37039B, 10419-01 |
| ARW450D3 | 7 | Switch base ass'y. with 2 NO contacts, illuminated |
| ARW450D4 | 7 | Switch base ass'y. with 2 NO contacts, no lamp socket |
| ARW450D5 | 7 | Switch base ass'y. with 2 NC contacts, no lamp socket |
| ARW450D6 | 7 | Switch base ass'y. with 1NO/1NC contacts, illuminated |
| ARW450C1 | 5 | Movable stainless steel contact arm with silver contact; replaces Armor part nos. A-36865B, 11864-01 |
| ARW450C2 | 6 | Brass stationary contact stud with silver contact; replaces Armor part nos. A-18526, 12061-01 |
| A480L15* | 12 | Miniature bayonet lamp, 120V; NOTE: Sold only in packages of 10. Replaces Armor part no. 10947-01 |

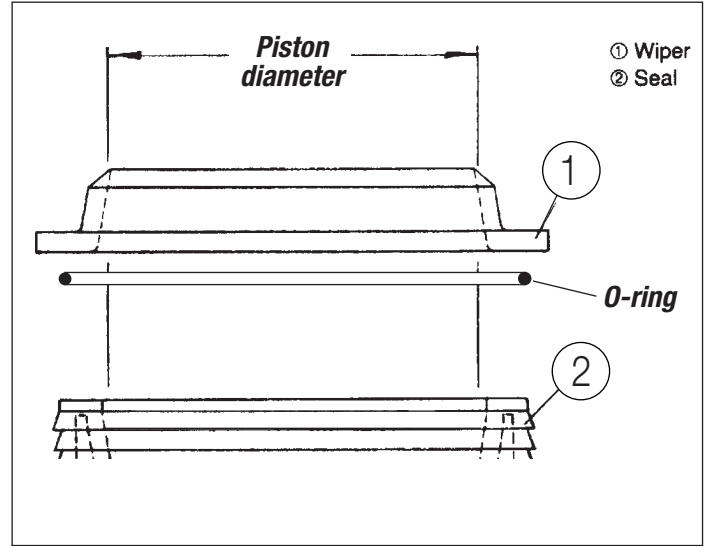
* See page 132 for drawing with components.

Armor Hydraulic Packing Kits

Each hydraulic packing kit for Armor consists of:

- One (1) seal
- One (1) wiper
- One (1) O-ring

| ARMOR | | | |
|----------------|----------------------------------|----------------|------------------------------------|
| Adams part no. | Piston diameter | Adams part no. | Piston diameter |
| GK04000A | 4" | GK07562A | 7 ⁹ / ₁₆ " |
| GK04250A | 4 ¹ / ₄ " | GK08562A | 8 ⁹ / ₁₆ " |
| GK04437A | 4 ⁷ / ₁₆ " | GK09562A | 9 ⁹ / ₁₆ " |
| GK05000A | 5" | GK10687A | 10 ¹¹ / ₁₆ " |
| GK05500A | 5 ¹ / ₂ " | GK12687A | 12 ¹¹ / ₁₆ " |
| GK06562A | 6 ⁹ / ₁₆ " | | |



ADAMS REPLACEMENT PACKING FOR ARMOR

A patented blend of oil-resistant compounds insures long life without the risk of common "rubber breakdown."

Unique "wavy" split design for quick and easy installation without disconnecting the motor from the geared unit.

Low friction from special baked-on finish prevents shaft scoring and damage from high temperatures.

| ARMOR SEALS | | | | |
|----------------|---------|------------|-----------|--------|
| Adams part no. | Machine | Dimensions | | |
| | | Shaft dia. | Bore dia. | Thick |
| AT1R012 | #3 fin | 1.938" | 2.875" | 1.266" |
| AT1R020 | #4 | 2.000" | 3.000" | .500" |
| AT1R059 | #2 | 1.750" | 2.750" | .828" |
| AT1R081 | #5 | 2.750" | 3.750" | .500" |

12081-01
Armor seal



12331-01
Armor seal



