

## Index for Pages 310-388

Belts, timing .....	321	Mercury relays .....	317
Braille plates .....	372-374	Motors .....	310-315
Brush holders .....	329	Motor survey .....	310
Brushes, carbon .....	330-331	Nylon tracks .....	341
Buttons .....	366-380	Oil seals .....	362
Cable studs .....	341	Packing .....	363-364
Capacitors .....	385	PI lenses, "pop-in" .....	371
Coils .....	326-328	Pile-up assemblies .....	324
<b>Contacts .....</b>	<b>320-323</b>	Printed circuit boards .....	381-384
Assemblies .....	320	<b>Pushbuttons .....</b>	<b>366-380</b>
Blades .....	320, 323	"A" Line signal equipment .....	367-369
Carbon .....	322-323	"AE" Line signal equipment .....	367-369
Copper .....	322-324	"E" Line signal equipment .....	370
Metal/graphite .....	322	"Pop-In" position indicator lenses .....	371
Movable .....	320	STOP switch assemblies .....	368-370
Stationary .....	320, 323	Survivor® hall station replacements .....	369
Door gibs .....	347	Rail gib .....	347
Door keys .....	347, 362	Rectifiers .....	386
Door operators .....	348-361	<b>Relays .....</b>	<b>316-324</b>
Door retractor hardware kit .....	333	Coils .....	326-328
Drive blocks .....	333	EC relays .....	319
Exhaust fan .....	315	ES supervisory relays .....	316
Fuses .....	385-386	EST time relays .....	317
Gaskets .....	364	Mercury .....	317
Generator, tach .....	329	Value Pak repair kits .....	319, 323
Gibs, door .....	347	Resistor tubes .....	385
Gib, rail .....	347	<b>Rollers .....</b>	<b>340-345</b>
Guide rollers .....	343, 345	Hanger assemblies .....	340-342
Hanger assemblies .....	340-342	Hanger rollers .....	340-342, 344
Hanger rollers .....	340-342, 344	Guide rollers .....	343-345
Hydraulic packing .....	363-364	Selector parts .....	324-325
<b>Interlock components .....</b>	<b>332-339, 346</b>	Selector tape .....	324, 347
Type B-2 .....	332-333	Spirators .....	347
Type E .....	334-335	STOP switch, keyed .....	369
Type E-1 .....	336-337	Tach generator .....	329
Type E-5/E-5A .....	338-339	Timer, solid-state .....	386
KE Limit Switch .....	347.1	Timing belts .....	321
Keyed STOP switch, type E .....	369	Transformers .....	387
Keystitches .....	375-377	Tubes .....	325
Landing/limit switches, type E .....	325	Type "E" landing switches .....	325, 347
Line starters .....	328	Vacuum tubes .....	325
Lock with cam .....	369, 375	Value Paks .....	319, 323
Machine seals .....	364	Valves, hydraulic .....	365

**When Ordering Motors**  
the following information is the minimum needed to provide exact motor identification.

### BELT DRIVE MOTOR

Elevator Manufacturer	_____	HP	_____
Motor Manufacturer	_____	RPM	_____
Full Load Amps	_____	Frame	_____
Volts	_____	AC	<input type="checkbox"/>
Phase	Single <input type="checkbox"/>	DC	<input type="checkbox"/>
	Three <input type="checkbox"/>	Serial #	_____

### SUBMERSIBLE MOTOR

Elevator Manufacturer	_____	HP	_____
Motor Manufacturer	_____	RPM	_____
Full Load Amps	_____	Frame	_____
Volts	_____	AC	<input type="checkbox"/>
Phase	Single <input type="checkbox"/>	DC	<input type="checkbox"/>
	Three <input type="checkbox"/>	Serial #	_____

### GENERAL MOTOR

Elevator Manufacturer	_____	HP	_____
Motor Manufacturer	_____	RPM	_____
Full Load Amps	_____	Frame	_____
Volts	_____	AC	<input type="checkbox"/>
Phase	Single <input type="checkbox"/>	DC	<input type="checkbox"/>
	Three <input type="checkbox"/>	Enclosure	_____
		Serial #	_____

### DOOR MOTOR

Elevator Manufacturer	_____	HP	_____
Motor Manufacturer	_____	RPM	_____
Full Load Amps	_____	Frame	_____
Volts	_____	AC	<input type="checkbox"/>
	Shuntwound <input type="checkbox"/>	DC	<input type="checkbox"/>
Permanent Magnet <input type="checkbox"/>	Serial #	_____	_____

### MOTOR GENERATOR

#### *Generator Side*

Frame	_____	Duty	_____
KW	_____	Amps	_____
DC Volts	_____	Field Amps	_____
Field Volts	_____	Wound	_____

#### *AC Motor Side*

Frame	_____	Duty	_____
Type	_____	Enclosure	_____
HP	_____	Field RPM	_____
AC Volts	_____	Amps	_____
		Serial #	_____



**EMODBRKEMTR-230**



**U227G09**



**T4416G07**



**U227G11**



**59307019**

**BRAKE MOTORS**

Part No.	Description	Voltage	Hertz	Rated Speed
<b>EMODBRKEMTR-208</b>	Brake Motor with Flange	208	60	0-600
<b>EMODBRKEMTR-230</b>	Brake Motor with Flange	230	60	0-600
<b>EMODBRKEMTR-460</b>	Brake Motor with Flange	460	60	0-600



**8538C88H07**



**7252C74H04**

**MOTOR TYPE "E"**

Part No.	Description	Voltage	HP	RPM	Frame
<b>8538C88H01</b>	Submersible Motor	208	15	3600	180T
<b>8538C88H02</b>	Submersible Motor	230	15	3600	180T
<b>8538C88H04</b>	Submersible Motor	208	20	3600	180T
<b>8538C88H07</b>	Submersible Motor	208	25	3600	180T
<b>8538C88H10</b>	Submersible Motor	208	30	3600	180T
<b>8538C88H11</b>	Submersible Motor	230	30	3600	180T
<b>7252C74H01</b>	Submersible Motor	208	40	3600	210T
<b>7252C74H02</b>	Submersible Motor	208	40	3600	210T
<b>7252C74H04</b>	Submersible Motor	208	45	3600	210T
<b>7252C74H05</b>	Submersible Motor	230/460	45	3600	210T

Approximate weights range 100-145 lbs.

**MOTOR AND WORM GEAR**

Part No.	Description	Voltage
<b>59307019</b>	SG80/WL1	
<b>59307020</b>	SG80/WL2	
<b>T4416G07</b>	Motor and Worm Gear	230
* <b>U227G01</b>	Synchro Drive Assembly KIT	110
** <b>U227G03</b>	Synchro Motor and Worm KIT	110
<b>U227G02</b>	Clutch Magnet Assembly	110
<b>U227G08</b>	Synchro Drive Assembly	110
<b>U227G09</b>	Synchro Motor and Worm	110
<b>U227G09</b>	Synchro Motor and Worm	110
<b>U227G10</b>	Synchro Drive Assembly	110
<b>U227G11</b>	Synchro Motor and Worm	110
<b>U227G11</b>	Synchro Motor and Worm	110
<b>U227G12</b>	Synchro Drive Assembly	110

\*U227G01 KIT includes

- 1 Ea. U227G10 Synchro Drive Assembly
- 1 Ea. 320C941H01 Transformer 350VA, P=199-260 S=101

\*\*U227G03 KIT includes

- 1 Ea. U227G09 Synchro Motor and Worm
- 1 Ea. 320C941H01 Transformer 350VA, P=199-260 S=101

*If the Motor needed is not shown use the Motor Ordering Data Sheet to help us identify it for you.*



**630B508H01**  
MI Door operator



**2633C74H27**  
375 Mach



**151B417H01**  
DC-Reversible



**630B596H01**  
AA Door Oper.



**5208D74H88**  
(EZ Oper.)



**217B233H01**  
"N" Selector



**630B383H02**  
BB2 Operator



**7286C86G01**  
37, 57 Geared Machine



**692B863G01**  
MG Door Operator  
Traction

### MOTORS

Part No.	Description	Voltage	HP	RPM	Frame
<b>630B383H01</b>	Motor	125DC	1/2	625	F56
<b>151B417H01</b>	Motor	125DC	1/15	1950	
<b>217B233H01</b>	Motor	125DC			F42Y
<b>217B233H03</b>	Motor	230DC		1725	F42Y
<b>2633C74H27</b>	Blower (375 Mach)	230/460			
<b>5208D74H88</b>	Motor	24DC	1/16	1220	3.25
<b>630B508H01</b>	Motor (MI Operator)	125DC	1/12	600	M56H
<b>630B596H01</b>	Motor (AA Operator)	125DC	1/6	700	S56MC
<b>7286C86G01</b>	Motor (37,57 Geared)		25		
<b>692B863G01</b>	Motor (MG Door Oper)	180DC	1/6	1150	

### MG SETS

Part No.	Description	Voltage	Frame
* <b>2630C89G04</b>	MG Set 20KW (Miconic A)	200/400VAC-260VDC	367T
* <b>2630C89G05</b>	MG Set 20KW (Miconic A)	230/460VAC-260VDC	367T
* <b>2630C89G13</b>	MG Set 20KW (Miconic A)	200/400VAC-260VDC	367T
* <b>2630C89G14</b>	MG Set 20KW (Miconic A)	230/460VAC-260VDC	367T
** <b>6924C86G01</b>	MG Set 12.5KW (Miconic A)	200/400VAC-230VDC	320T
** <b>6924C86G02</b>	MG Set 12.5KW (Miconic A)	230/460VAC-230VDC	320T
** <b>6924C86G05</b>	MG Set 12.5KW (Miconic A)	230/460VAC-275VDC	320T

\* Approximate weight 1300 lbs.

\*\* Approximate weight 800 lbs.



**2630C89G05**



**6924C86G02**

*If the Motor needed is not shown use the Motor Ordering Data Sheet to help us identify it for you.*



6952C25H06

MOTORS					
Part No.	Description	Voltage	HP	RPM	Frame
6952C25H01	H Motor Type E Pwr Unit	208	13.6	3600	180T
6952C25H02	H Motor Type E Pwr Unit	230/460	13.6	3600	180T
6952C25H03	H Motor Type E Pwr Unit	208	15	3600	180T
6952C25H04	H Motor Type E Pwr Unit	230/460	15	3600	180T
6952C25H05	H Motor Type E Pwr Unit	208	17.7	3600	180T
6952C25H06	H Motor Type E Pwr Unit	230/460	17.7	3600	180T
6952C25H07	H Motor Type E Pwr Unit	208	20	3600	180T
6952C25H08	H Motor Type E Pwr Unit	230/460	20	3600	184T
6952C25H09	H Motor Type E Pwr Unit	208	25	3600	180T
6952C25H10	H Motor Type E Pwr Unit	230/460	25	3600	184T
6952C25H11	H Motor Type E Pwr Unit	208	30	3600	180T
6952C25H12	H Motor Type E Pwr Unit	230/460	30	3600	180T
6952C25H13	H Motor Type E Pwr Unit	208	36	3600	
6952C25H14	H Motor Type E Pwr Unit	230/460	36	3600	213TY
6952C25H15	H Motor Type E Pwr Unit	208	45	3600	210T
6952C25H16	H Motor Type E Pwr Unit	230/460	45	3600	213TY
6952C25H17	H Motor Type E Pwr Unit	208	55	3600	
6952C25H18	H Motor Type E Pwr Unit	230/460	55	3600	

80" Leads, Horizontal Foot Mount  
Weights range from 60-152 Lbs from lowest HP to highest.



681A554H01

MOTORS					
Part No.	Description	Voltage	HP	RPM	Frame
681A554H01	Type E Car Door Operator	125DC	1/6	2000	F56
* 7283C05H01	PM QKS 15 Door Operator	180DC	1/3	1725	--
** 7283C05H02	PM QKS 15 Door Operator	180DC	1/3	1725	--
7285C56H01	QKS-14 Door Operator	180DC	1/6	1150	Ft Mount

\* 6" Leads  
\*\* 24" Leads



7285C56H01



7283C05H02



SCT147828

MOTORS				
Part No.	Description	Voltage	HZ	KW
SCT147771	Motor 3 Phase	480	60	8.0
SCT147827	Motor 3 Phase	208	60	5.5
SCT147828	Motor 3 Phase	460	60	5.5
SCT147829	Motor 3 Phase	480	60	5.5
SCT147830	Motor 3 Phase	208	60	8
SCT147831	Motor 3 Phase	460	60	8
SCT147832	Motor 3 Phase	208	60	11
SCT147833	Motor 3 Phase	460	60	11

If the Motor needed is not shown use the Motor Ordering Data Sheet to help us identify it for you.



**693B250H09**



**693B250H07**

<b>MOTORS</b>					
Part No.	Description	Voltage	HP	RPM	Frame
693B250H04	H-Hydraulic Standard Duty	200	15	1800	215T
693B250H05	H-Hydraulic Standard Duty	200	20	1800	254T
693B250H06	H-Hydraulic Standard Duty	200	25	1800	256T
693B250H07	H-Hydraulic Standard Duty	200	30	1800	284T
693B250H08	H-Hydraulic Standard Duty	200	40	1800	286T
693B250H09	H-Hydraulic Standard Duty	200	50	1800	324T
693B250H10	H-Hydraulic Standard Duty	200	60	1800	326T
693B250H11	H-Hydraulic Standard Duty	200	75	1800	364T
693B250H16	H-Hydraulic Standard Duty	230/460	15	1800	215T
693B250H17	H-Hydraulic Standard Duty	230/460	20	1800	254T
693B250H18	H-Hydraulic Standard Duty	230/460	25	1800	256T
693B250H19	H-Hydraulic Standard Duty	230/460	30	1800	284T
693B250H20	H-Hydraulic Standard Duty	230/460	40	1800	286T
693B250H21	H-Hydraulic Standard Duty	230/460	50	1800	324T
693B250H22	H-Hydraulic Standard Duty	230/460	60	1800	326T
693B250H23	H-Hydraulic Standard Duty	230/460	75	1800	364T
693B250H24	H-Hydraulic Standard Duty	230/460	100	1800	365T



**7431C01H04**



**7431C01H10**

<b>MOTORS</b>					
Part No.	Description	Voltage	HP	RPM	Frame
7431C01H01	Type E Hydro Motor	208	13.6	3600	180T
7431C01H02	Type E Hydro Motor	230/460	13.6	3600	180T
7431C01H03	Type E Hydro Motor	208	15	3600	180T
7431C01H04	Type E Hydro Motor	230/460	15	3600	180T
7431C01H05	Type E Hydro Motor	208	17.7	3600	180T
7431C01H06	Type E Hydro Motor	230/460	17.7	3600	184TY
7431C01H07	Type E Hydro Motor	208	20	3600	180T
7431C01H08	Type E Hydro Motor	230/460	20	3600	180T
7431C01H09	Type E Hydro Motor	208	25	3600	180T
7431C01H10	Type E Hydro Motor	230/460	25	3600	180T
7431C01H11	Type E Hydro Motor	208	30	3600	180T
7431C01H12	Type E Hydro Motor	230/460	30	3600	180T
7431C01H14	Type E Hydro Motor	230/460	40	3600	213TY
7431C01H15	Type E Hydro Motor	208	45	3600	210T

*If the Motor needed is not shown use the Motor Ordering Data Sheet to help us identify it for you.*





**2179C36H02**  
Motor



**T4823G09**  
Motor & Block



**5194D41G01**

MISCELLANEOUS MOTORS				
Part No.	Description	Voltage	HP	HZ
<b>2179C36H01</b>	VVAC 4 Pole	200/400AC	30	3600
<b>2179C36H02</b>	Motor 3Z-ABEGG	230/460V	30	
<b>T4823G09</b>	Motor and Block	125V	1/50	--
<b>K5315H02</b>	SD Floor Selector	115V	--	--
<b>703103A</b>	Small Brake Motor	220/380V	--	60
<b>5194D41G01</b>	Current Regulator for ERL	--	15-40	--
<b>5194D41G02</b>	Current Regulator for ERL	--	25-40	--
<b>7285C36G01</b>	38 Geared Mach			
<b>7285C41G01</b>	28 Geared Mach			



**K5315H02**  
Synchro Motor



**703103A**  
Brake Motor



**7285C31G01** Motor Coupling used on 7285C36G01 the 38 Geared machine and also on 7285C41G01 the 28 Geared Machine.



**811C474H01**  
2 Speed Exhaust Fan  
1/20 HP 115V

If the Motor needed is not shown use the Motor Ordering Data Sheet to help us identify it for you.

**NEW** **HydroCool™**



**HydroCool™ is perfect for any hydraulic elevator with high usage**

Other recommended applications include:

- Twin jack holeless applications with two- or three-stage telescopic jacks
- Heavily used single-stage twin jack holeless projects
- Roped hydraulic applications with moderate usage and travel exceeding 25 feet

*Compact, adaptable HydroCool works with all power units!*

**Technical Data: HydroCool™**

Operation	Adjustable thermostat control. Separate pump and fan motors.
Cooling Capacity	17,500 BTU/hr
Pump Capacity	8 gallons per minute
Power Requirements	Provide 120 VAC, 20A circuit
Size	28"H x 24"W x 17.5"D
Weight	Approx. 140 lbs.
Mounting Options	Can be mounted up to 110 feet horizontally or 55 feet vertically from the power unit.*

HydroCool — Reg. TM Adams Elevator Equipment Company  
\*Piping, wiring and conduit to remote location are not included.

**HydroCool II™**

**Technical Data: HydroCool II™**

Operation	Starts automatically at 140°F; Shuts off at 100°F. Single motor drives fan and pump.
Cooling Capacity	12,000 BTU/hr
Pump Capacity	3 gallons per minute
Power Requirements	Provide 120 VAC, 20A circuit; Fan motor FLA 3.4; Pump motor FLA 6.6
Size	20.5"H x 26"W x 26"D
Weight	Approx. 125 lbs.
Mounting Options	Adjacent to reservoir only

**Economical solution for less frequently-used hydraulic elevators**

HydroCool II™ maintains oil quality and integrity by pumping oil through a heat exchanger where it is cooled and returned to the oil storage tank. Package includes preassembled fan/pump/heat exchanger unit, hoses and mounting brackets.



HydroCool II — Reg. TM Adams Elevator Equipment Company

**NEW** **Pully Bully**

**Pully Bully**

Use Pully Bully for changing a submersible pump or motor. The Pully Bully is safe, light weight and portable. Comes complete with drip pan for easy clean-up. Saves time with quick and easy set up. Safe to use. Comes with portable cart.

**Specifications:**  
Lifts up to 500 lbs  
Weighs 185 lbs  
Complies with ASME B30.17 - 1998

**HYDROCOOL™ AND PULLY BULLY ORDERING INFORMATION**

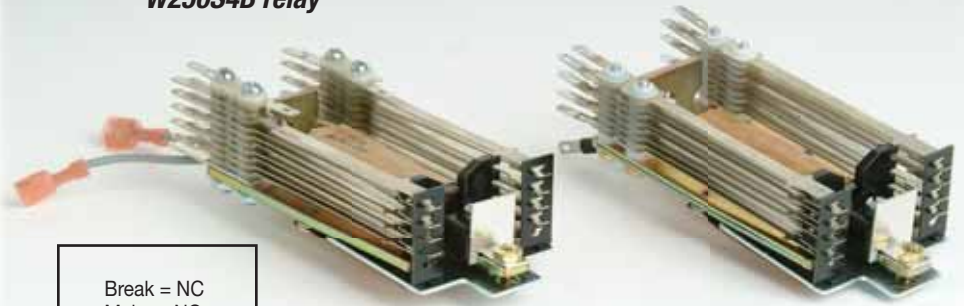
Adams part no.	Description
<b>A900A</b>	HYDRAULIC OIL COOLER ASSEMBLY (Includes all fittings and hardware needed for adjacent-mount installation. Piping, wiring and conduit to remove location not included.)
<b>A900B</b>	MOTOR PUMP ONLY FOR OIL COOLER A900A
<b>A900C</b>	PULLY BULLY WITH CART (for hoisting submersible pumps or motors)

**NEW**





**W250S4B relay**



**W250P7A relay**

## TYPE ES SUPERVISORY RELAYS

Type ES relays are available with solder and plug-in type terminals. Each relay consists of 8 make/break contacts in all possible combinations.

Choose from 125VDC and 62.5VDC. Replacement coils are shown on pages 326-327.

Ladders and plug connectors are available separately below.

### ES RELAYS W/SOLDER-TYPE TERMINALS

Adams part no.*	Contact configuration	Coil voltage	Westinghouse part no.
<b>W250S1A</b> <b>W250S1B</b>	8M/0B	125.0VDC 62.5VDC	324C991-G80 324C992-G80
<b>W250S2A</b> <b>W250S2B</b>	7M/1B	125.0VDC 62.5VDC	324C991-G71 324C992-G71
<b>W250S3A</b> <b>W250S3B</b>	6M/2B	125.0VDC 62.5VDC	324C991-G62 324C992-G62
<b>W250S4A</b> <b>W250S4B</b>	5M/3B	125.0VDC 62.5VDC	324C991-G35 324C992-G35
<b>W250S5A</b> <b>W250S5B</b>	4M/4B	125.0VDC 62.5VDC	324C991-G44 324C992-G44
<b>W250S6A</b> <b>W250S6B</b>	3M/5B	125.0VDC 62.5VDC	324C991-G53 324C992-G53
<b>W250S7A</b> <b>W250S7B</b>	2M/6B	125.0VDC 62.5VDC	324C991-G26 324C992-G26
<b>W250S8A</b> <b>W250S8B</b>	1M/7B	125.0VDC 62.5VDC	324C991-G17 324C992-G17
<b>W250S9A</b> <b>W250S9B</b>	0M/8B	125.0VDC 62.5VDC	324C991-G08 324C992-G08

\*Relay part nos. ending in "A" come with coil E1601, "B" with coil E1602

### ES RELAYS W/PLUG-IN TERMINALS

Adams part no.†	Contact configuration	Coil voltage	Westinghouse part no.
<b>W250P1A</b> <b>W250P1B</b>	8M/0B	125.0VDC 62.5VDC	628D151-G08 628D151-G08
<b>W250P2A</b> <b>W250P2B</b>	7M/1B	125.0VDC 62.5VDC	628D151-G17 628D151-G17
<b>W250P3A</b> <b>W250P3B</b>	6M/2B	125.0VDC 62.5VDC	628D151-G26 628D151-G26
<b>W250P4A</b> <b>W250P4B</b>	5M/3B	125.0VDC 62.5VDC	628D151-G35 628D151-G35
<b>W250P5A</b> <b>W250P5B</b>	4M/4B	125.0VDC 62.5VDC	628D151-G44 628D151-G44
<b>W250P6A</b> <b>W250P6B</b>	3M/5B	125.0VDC 62.5VDC	628D151-G53 628D151-G53
<b>W250P7A</b> <b>W250P7B</b>	2M/6B	125.0VDC 62.5VDC	628D151-G62 628D151-G62
<b>W250P8A</b> <b>W250P8B</b>	1M/7B	125.0VDC 62.5VDC	628D151-G71 628D151-G71
<b>W250P9A</b> <b>W250P9B</b>	0M/8B	125.0VDC 62.5VDC	628D151-G80 628D151-G80

† Relay part nos. ending in "A" come with coil E-1631, "B" with coil E-1632

### ACCESSORIES FOR W250-SERIES RELAYS

**W250L1.** Ladder, clear Lexan®.  
(Replaces Westinghouse part no. 216B711G04.)

**W250L2.** Ladder, high-temp black phenolic.  
(Replaces Westinghouse part no. 216B711G04.)



**W250L1**

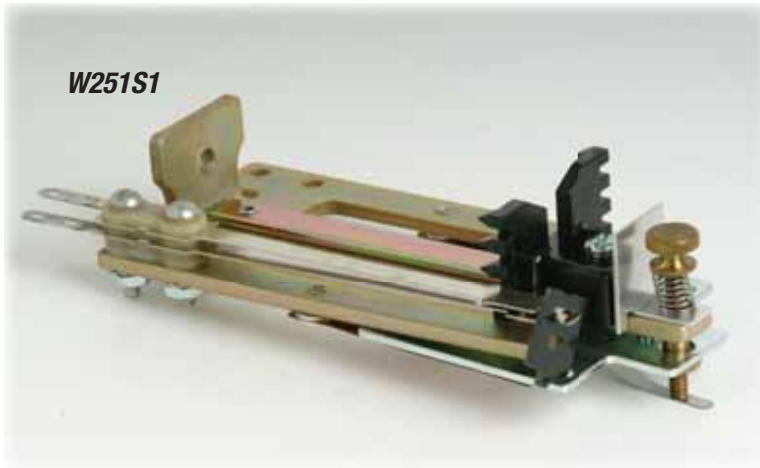


**W250L2**

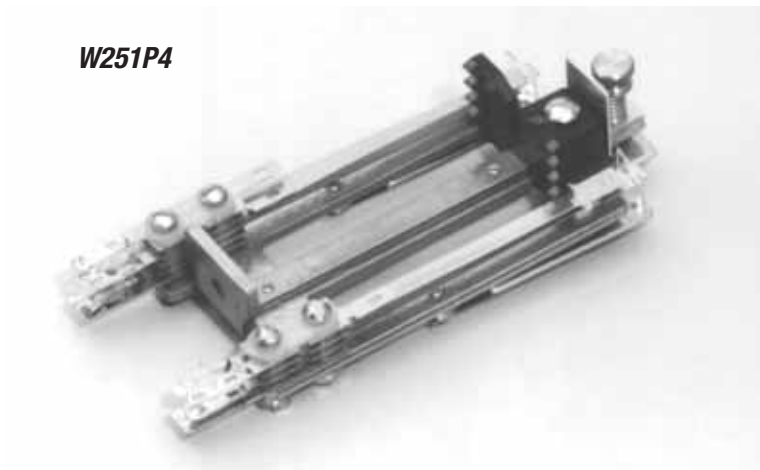
Lexan—Reg. TM General Electric Company

### TYPE EST TIME RELAYS

Type EST time relays are supplied with solder or plug-in type terminals.



EST/SOLDER TERMINALS		
Adams part no.	Contact configuration	Westinghouse part no.
<b>W251S1</b>	1M	H-3056G01
<b>W251S2</b>	1B	H-3056G02
<b>W251S3</b>	2M	H-3056G03
<b>W251S4</b>	1M/1B	H-3056G04
<b>W251S5</b>	2B	H-3056G05



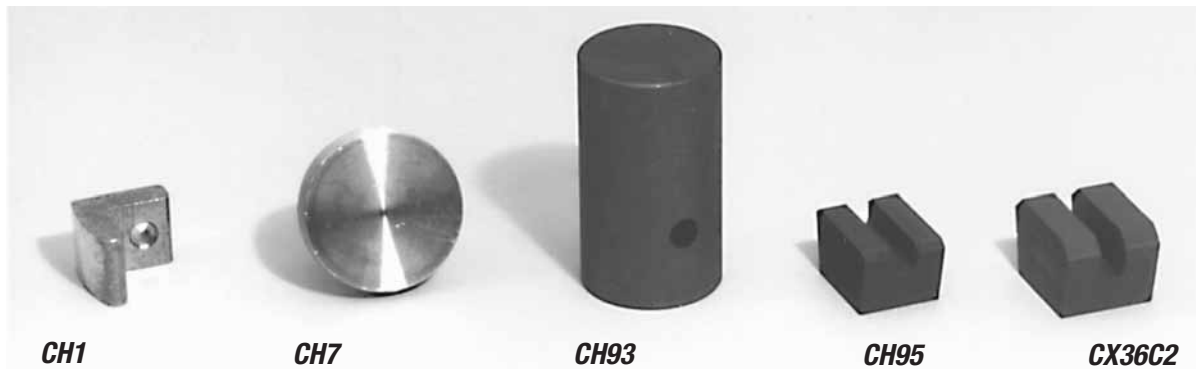
EST/PLUG-IN TERMINALS		
Adams part no.	Contact configuration	Westinghouse part no.
<b>W251P1</b>	1M	324C595G01
<b>W251P2</b>	1B	324C595G02
<b>W251P3</b>	2M	324C595G04
<b>W251P4</b>	1M/1B	324C595G05
<b>W251P5</b>	2B	324C595G06



### MERCURY RELAYS

Adams part no.	Application	Westinghouse part no.
<b>W253R1</b>	Used in Quota Relay Assembly on dispatch controller	145A630H01
<b>W253R2</b>	Used in DM Inductor Assembly (RP-390); also for Type TS4A Traffic Sentinel, Safe-T-Ray, and Photo Roller	145A630H02
<b>W253R3</b>	Used to put shunt load on hatch transducers...	145A630H03





CUTLER-HAMMER CONTACTS		
Adams part no.	Description	Cutler-Hammer part no.
<b>CH1</b>	Copper angle, 1"L x 1H" x 3/4"W; 1/4" hole; use with CH-95, below	1323-1721
<b>CH7</b>	Forged copper contact; head = 15/8" dia. x 5/16" thick; stem = 5/8-11 x 15/8L"	1334-4F1
<b>CH93</b>	Cylindrical carbon contact, 17/16" dia. x 21/2"L	1181-229
<b>CH95</b>	Metal graphite contact, 7/8" x 7/8" x 7/8" x 3/4"; use with CH-1, above	1321-899
<b>CX36C2</b>	Metal graphite contact, 11/4" x 1" x 11/16" x 7/8"	1321-887



**H3088H01**



**H3088H11**

POWER RELAYS			
Part No.	Coil Voltage	Contacts	Blow Out
<b>H3088H01</b>	240 VAC	DPST*	YES
<b>H3088H02</b>	240 VAC	DPST**	YES
<b>H3088H03</b>	12 VAC	DPST	NO
<b>H3088H04</b>	125 VDC	DPST	NO
<b>H3088H06</b>	125 VDC	DPDT	NO
<b>H3088H11</b>	230 VAC	DPDT	NO
<b>H3088H12</b>	230 VAC	DPDT	YES
<b>H3088H13</b>	120 VAC	DPDT	NO
<b>H3088H14</b>	240 VAC	DPDT	NO
<b>H3088H15</b>	110 VDC	DPST	YES
<b>H3088H16</b>	240 VAC	DPST	NO
<b>H3088H17</b>	120 VAC	DPDT	NO
<b>H3088H20</b>	12 VDC	DPST	NO
<b>H3088H21</b>	208 VAC	DPST	YES
<b>H3088H22</b>	120 VAC	DPST	NO

\* 0.075" GAP  
\*\*0.100" GAP

ARMATURE ASSEMBLIES			
Part No.	Description	No. Poles	Rating (Amps)
M1793G02	ARMATURE & FINGER BOARD (DS RELAY)	N/A	N/A
M4983G01	ARMATURE ASSEMBLY (CR5 RELAY)	N/A	N/A
T1112G09	ARMATURE ASSEMBLY	1	25
T1977G07	ARMATURE ASSEMBLY W/OUT BLOWOUT	3	15
T3545G07	ARMATURE ASSEMBLY W/OUT BLOWOUT	2	25
T4100G07	ARMATURE ASSEMBLY W/ BLOWOUT	3	50
T6334G01	ARMATURE ASSEMBLY W/ BLOWOUT	3	15



**M1793G02**



**M4983G01**



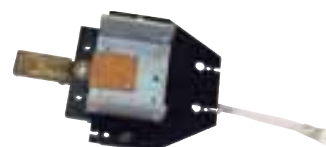
**T3545G07**



**T4100G07**



**T6334G01**



**T1112G09**



**T1977G07**





Westinghouse EC relays come with permanently installed coils. Coils cannot be replaced. Order complete replacement relays from table below.

TYPE EC RELAYS			
Adams part no.	Contact configuration	Coil voltage	Westinghouse part no.
W245G02	2M/0B	125.0VDC	324C981G20
W245G04	4M/0B	125.0VDC	324C981G40
W245G22	2M/2B	125.0VDC	324C981G22
W245G24	4M/2B	125.0VDC	324C981G42
W245G26	6M/2B	125.0VDC	324C981G62
W245G33	3M/3B	125.0VDC	324C981G33
W245G35	5M/3B	125.0VDC	324C981G53
W245G44	4M/4B	125.0VDC	324C981G44
W246G26	6M/2B	62.5VDC	324C981G62
W246G44	4M/4B	62.5VDC	324C981G44

See WVP2030 Value Pak below.



### EC RELAY REPAIR PARTS

**W225.** Movable contact bridge assembly. Replaces Westinghouse part no. K7310-G01.

**W226A.** Stationary contact, top make/bottom break; makes with W225. Replaces Westinghouse part no. 630B611-G01 (formerly K7307-G1).

**W226B.** Stationary contact, top break/bottom make; makes with W225. Replaces Westinghouse part no. 630B611-G02 (formerly K7307-G2).

**W228.** Fingerboard assembly with Bakelite base and leaf spring; receives W225 contact bridge assemblies. Replaces Westinghouse part no. K7305-G01.

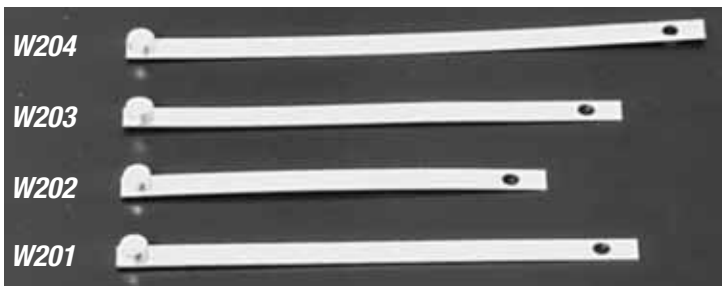
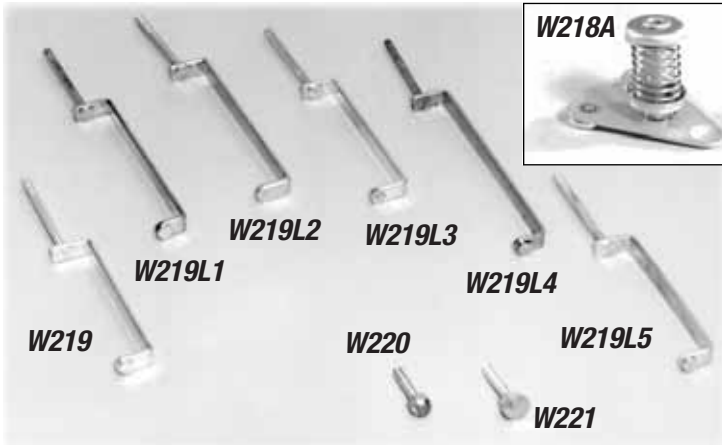
### WVP2030 EC RELAY VALUE PAK REPAIR KIT

Here's an economical 100-piece assortment of the frequently-needed repair parts shown above. Put a Value Pak in every route truck, and save time and money on simple repairs. Components pictured are also sold separately above.



Adams part no.	Includes	Description	Quantity
WVP2030	W225	Contact bridge assembly	25
	W226A	Stationary contact, top make/bottom break	50
	W226B	Stationary contact, top break/bottom make	20
	W228	Fingerboard assembly	5





### CONTACT ASSEMBLIES

Adams part no.	Description	Westinghouse part no.
<b>W210S1</b>	For KS multipole relay and 15A contactor; incl. 6 <sup>1</sup> / <sub>4</sub> "L shunt and 1 <sup>1</sup> / <sub>4</sub> " dia. silver contact	M1230-G6
<b>W210S2</b>	Same as above, with 5 <sup>1</sup> / <sub>4</sub> "L shunt	M1230-G5
<b>W210S3</b>	Same as above, with 4 <sup>3</sup> / <sub>4</sub> "L shunt	M1230-G4
<b>W211</b>	For 30VS relay and 15A contactor; 1 <sup>1</sup> / <sub>4</sub> "L x 1 <sup>1</sup> / <sub>2</sub> "W plus 7"L shunt; no silver contact	K181G2, G3
<b>W212</b>	For DS relay; incl. 7 <sup>1</sup> / <sub>16</sub> " dia. silver contact face; 1 <sup>1</sup> / <sub>4</sub> "L x 1 <sup>1</sup> / <sub>2</sub> "W plus 7"L shunt; makes with W221 stationary contact and W58 contact	M3466-G01
<b>W213</b>	Copper base 1 <sup>5</sup> / <sub>8</sub> "L x 1 <sup>1</sup> / <sub>2</sub> "W; incl. 2-strand bare copper shunt, 4 <sup>1</sup> / <sub>2</sub> "L w/1 <sup>1</sup> / <sub>4</sub> " ID eyelet terminal	K-180 series
<b>W214</b>	Copper base 2 <sup>1</sup> / <sub>2</sub> "L x 5 <sup>5</sup> / <sub>8</sub> "W; incl. 6"L fabric-covered shunt w/3 <sup>1</sup> / <sub>16</sub> " ID eyelet terminal	K180-G5 T3534G8
<b>W215A1</b>	"Make" assembly w/6 <sup>3</sup> / <sub>4</sub> "L shunt (W217S3)	M4522G2, G3
<b>W215A2</b>	"Break" assembly w/6 <sup>3</sup> / <sub>4</sub> "L shunt (W217S3)	M4522G5
<b>W215A3</b>	"Make" assembly w/1 <sup>1</sup> / <sub>8</sub> "L shunt (W217S2)	M4522G1
<b>W215A4</b>	"Break" assembly w/1 <sup>1</sup> / <sub>8</sub> "L shunt (W217S2)	M4522G4, G6
<b>W216C1</b>	Contact, "makes" with W50, W50C & W50CX carbons; for W215A1, A3	K-4278-G1 630B610G01
<b>W216C2</b>	Contact, "breaks" with W50, W50C & W50CX carbons; for W215A2, A4	K-4278G2 630B610G02
<b>W217S2</b>	Shunt w/eyelet terminals, 1 <sup>1</sup> / <sub>8</sub> "L center to center; for W215A3, A4 contact assemblies	X22G-G2
<b>W217S3</b>	Shunt w/eyelet terminals, 6 <sup>3</sup> / <sub>4</sub> "L center to center; for W215A1, A2 contact assemblies	X22G-G3, G4

### STATIONARY & MOVABLE CONTACTS

Adams part no.	Description	Westinghouse part no.
<b>W218</b>	Heart-shaped movable contact for 6B, CR and TC Relays.	K4277G01
<b>W218A</b>	Same as W218, with heavy-duty spring for 2X contact pressure	K4277G02
<b>W219</b>	Stationary contact for 6B and CR relays; 2 <sup>7</sup> / <sub>8</sub> "L inside "U"; incl. threaded mounting stake & 1 <sup>1</sup> / <sub>4</sub> " dia. silver contact; "makes" with W218, W218A	X24AS1G04
<b>W219L1</b>	Stationary contact for 6B, CR & TC relays; incl. threaded mounting stake and 1 <sup>1</sup> / <sub>4</sub> " dia. silver contact; 3 <sup>1</sup> / <sub>16</sub> "L outside "U", contact outside	X24AS1-G01
<b>W219L2</b>	Same as above, 3 <sup>3</sup> / <sub>4</sub> "L inside "U", contact inside	X24BS1-G01
<b>W219L3</b>	Same as above, 3 <sup>3</sup> / <sub>32</sub> "L inside "U", contact inside	X24BS1-G02, G04
<b>W219L4</b>	Same as above, 4 <sup>3</sup> / <sub>8</sub> "L inside "U", contact outside	X24AS1-G05
<b>W219L5</b>	Same as above, 3 <sup>1</sup> / <sub>16</sub> "L inside "U", contact outside	X24AS1-G06
<b>W220</b>	Stationary contact for KS, 15A, V VR, & 30V relays; 1 <sup>1</sup> / <sub>8</sub> "L overall with 1 <sup>1</sup> / <sub>4</sub> " dia. silver contact	M-1230-G3 M-1230-G23
<b>W221</b>	Stationary contact for DS relay; 1 <sup>1</sup> / <sub>8</sub> "L overall with 7 <sup>1</sup> / <sub>16</sub> " dia. silver contact	M-1230-G20
<b>W201</b>	Contact finger for Type SW interlock; 3 <sup>5</sup> / <sub>8</sub> "L	K3125-G1
<b>W202</b>	Contact finger for Type SW interlock; 3"L	K3125-G2
<b>W203</b>	Contact finger for Type SW interlock; 3 <sup>1</sup> / <sub>2</sub> "L	K3125-G3
<b>W204</b>	Contact finger for Type SW interlock; 4 <sup>3</sup> / <sub>16</sub> "L	K3125-G4

## TIMING BELTS

"Synchro cog" means install them, and forget them. Our series of replacement Westinghouse timing belts is built for accuracy. Pitch ( $\frac{3}{8}$ " for all models)\* and circumference are accurate to within 0.015"...which means no slipping out of adjustment.

Made of tough neoprene-impregnated rubber around high-strength polyester tensile cords; one steel-reinforced model and three fiberglass-reinforced models also available. Use the convenient table below to order.

Choose from 16 sizes. We stock all 16 popular sizes of Westinghouse belts, from  $\frac{1}{2}$ " to 2" wide. Cogs in the belts are for flexibility only, and their dimensions may vary.



**Molded cog design increases flexibility, allowing belt to bend easily around the sheave**

V-BELTS		
Adams part no.	Description	Units
HA-870-B9	3L410	1 Pack = 2 Belts
HA-870-H	3L490	1 Pack = 2 Belts
HA-970-E4	3L600	1 Pack = 4 Belts
HA-870-C1	3V400	1 Pack = 4 Belts
EE-870-K	3V600	1 Pack = 6 Belts
HA-870-C2	3V600	1 Pack = 8 Belts
3-40301-61	3VX500	1 Pack = 4 Belts
3-40002-37	3VX530	1 Pack = 4 Belts
3-40301-63	3VX540	1 Pack = 4 Belts
3-40004-16	3VX600	1 Pack = 4 Belts
3-40257-79	3VX710	1 Pack = 6 Belts
3-40257-77	3VX750	1 Pack = 4 Belts
6954C41H07	4L450	1 Pack = 1 Belt
5207D42H47	4L680	1 Pack = 2 Belts
HA-870-C5	4L680	1 Pack = 4 Belts
HA-870-C	5V670	1 Pack = 4 Belts

WESTINGHOUSE TIMING BELTS					
Adams part no.	Circum.	Width	Material	# teeth	Westinghouse part no.
W861H01	25 $\frac{1}{2}$ "	$\frac{1}{2}$ "	rubber	68	144A600H01
W861H02	45"	$\frac{1}{2}$ "	rubber	120	144A600H02
W861H04	24"	$\frac{1}{2}$ "	fiberglass	64	144A600H04
W861H05	72 $\frac{3}{4}$ "	$\frac{1}{2}$ "	fiberglass	194	144A600H05
W861H07	54"	1"	rubber	144	144A600H07
W861H10	45"	$\frac{1}{2}$ "	fiberglass	120	144A600H10
W861H11	45"	2"	rubber	120	144A600H11
W861H13	54"	$\frac{1}{2}$ "	rubber	144	144A600H13
W861H14	28 $\frac{1}{2}$ "	$\frac{1}{2}$ "	rubber	76	144A600H14
W861H15	27"	$\frac{1}{2}$ "	rubber	72	144A600H15
W861H18	32 $\frac{1}{4}$ "	$\frac{1}{2}$ "	rubber	86	144A600H18
W861H21	60"	$\frac{1}{2}$ "	rubber	160	144A600H21
W861H27	45"	1"	rubber	120	144A600H27
W860*	100"	$\frac{5}{8}$ "	rubber	267	144A416G01
W862**	81 $\frac{3}{4}$ "	$\frac{1}{2}$ "	rubber	218	144A417H02
W862H05†	140"	1"	rubber, steel-reinforced	280	691B789H05

\*W860 is a V-belt.

\*\*W862 used for an E door operator.

†Pitch for belt no. W862H05 is  $\frac{1}{2}$ ".



HA-870-C5



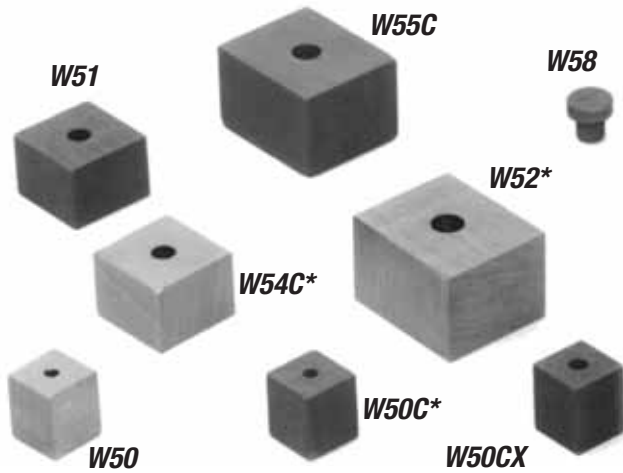
5207D42H47



569A957H06

### Carbon & Metal Graphite Contacts

Original parts standards and specifications are used to manufacture Adams replacement carbon and metal graphite contacts. The grade of the material is matched to the grade used by the OEM.



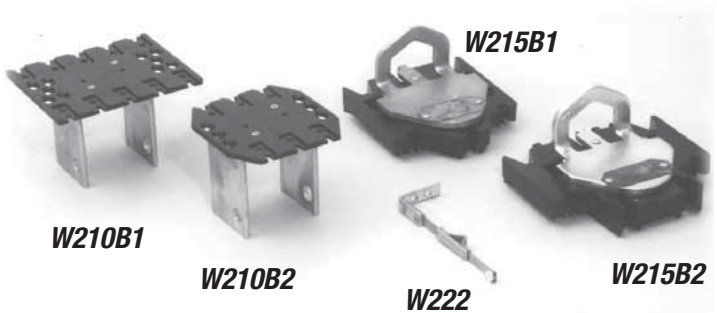
CARBON & METAL GRAPHITE CONTACTS					
Adams part no.	Material	Dimensions	Mounting hole	Makes with	Westinghouse part no.
<b>W50</b>	Metal graphite	5/8"x5/8"x3/4"	6-32	<b>W216C1, C2</b> for Type 6B contactor	K4495H02
<b>W50C*</b>	Carbon	5/8"x5/8"x3/4"	6-32	<b>W216C1, C2</b> for Type 6B contactor	K4495H01
<b>W50CX</b>	Carbon	5/8"x5/8"x3/4"	10-32	<b>W216C1, C2</b> for Type 6B contactor	K179H01
<b>W51</b>	Metal graphite	1"x1"x3/4"	3/16"	<b>W6</b> copper contact, Type 15A contactor	P1534H02
<b>W52*</b>	Metal graphite	1 1/4"x1 1/2"x1"	5/16"	<b>W7</b> copper contact	T441H16
<b>W54C*</b>	Carbon	1"x1"x3/4"	1/4"	<b>W6</b> copper contact	P1534H01
<b>W55C</b>	Carbon	1 1/4"x1 1/2"x1"	5/16"	<b>W7</b> copper contact	T441H20
<b>W58</b>	Metal graphite	1/2" dia. x 1/2" high	none	<b>W212</b> contact ass'y. for DS relay	

### COPPER CONTACTS



COPPER CONTACTS			
Adams part no.	Dimensions	Makes with	Westinghouse part no.
<b>W6*</b>	3/4" x 1 3/4"	Carbons <b>W51, W54C</b> ; for 15A contactor	P-1524-6
<b>W10</b>	2" dia. x 2"L	n/a	O-361K
<b>W6H</b>	3/4" x 5 1/4"L holder with 10 1/8"L shunt for <b>W6</b> copper contact; incl. <b>W6</b> contact		P-1534-1

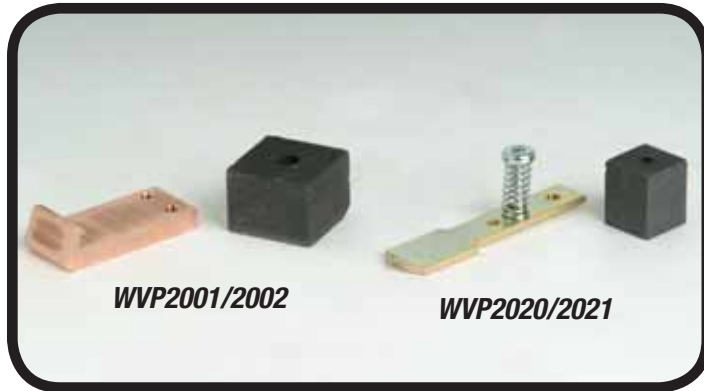
### BASES, ARMATURES, RHEOSTAT CONTACT



BASES, ARMATURES, RHEOSTAT CONTACT		
Adams part no.	Description	Westinghouse part no.
<b>W210B1</b>	Base with 10 contact positions for W210 ass'y.; for KS multipole relay R3560G2	
<b>W210B2</b>	Base with 6 contact positions for W210 ass'y.; for KS multipole relay R3560G1	
<b>W215B1</b>	Armature assembly for 6B1 contactor	M4510G1
<b>W215B2</b>	Armature assembly for 6B2 contactor	M4523G1
<b>W222</b>	Rheostat contact, type P-200; 1" x 3 7/8"; incl. 1/4" dia. silver contact	T453G4 (LH) T453G8 (RH)

\*SEE VALUE PAKS ON NEXT PAGE

**Buy in bulk** the repair parts you use most, and enjoy the convenience of having these parts ready to install any time



**SAVE ON SIX ASSORTMENTS OF FREQUENTLY-NEEDED REPAIR PARTS FOR WESTINGHOUSE CONTACTORS AND RELAYS.**

WESTINGHOUSE VALUE PAKS	
Adams part no.	Description of contents
<b>WVP2001</b> <b>WVP2002</b>	100 ea. <b>W6</b> copper contact, <b>W54C</b> carbon contact 250 ea. <b>W6</b> copper contact, <b>W54C</b> carbon contact
<b>WVP2020</b> <b>WVP2021</b>	100 ea. <b>W216C1</b> contact assembly, <b>W50C</b> carbon 250 ea. <b>W216C1</b> contact assembly, <b>W50C</b> carbon

EC RELAY REPAIR KIT				
Adams part no.	Includes	Description	Qty.	Westinghouse part no.
<b>WVP2030</b>	<b>W225</b>	Contact bridge assembly	25	K-7310-G01
	<b>W226A</b>	Stationary contact, top make/bottom break	50	K-7307-G1
	<b>W226B</b>	Stationary contact, top break/bottom make	20	K-7307-G2
	<b>W228</b>	Fingerboard assembly	5	K-7305-G01



SAVE



## REPLACEMENT RELAY CONTACTS

CONTACT BLADES (FOR SR-1, SRL, STL RELAYS)	
Adams part no.	Description
<b>W229</b>	Back-up support blade, 3 1/8" L
<b>W230</b> <b>W230C2</b>	Blade with silver contact and 3/8" phenolic stop Same as above, with silver tip on opposite side
<b>W231</b> <b>W232</b> <b>W233</b>	Blade with silver contact, no phenolic stop Blade w/silver tip and 1/4" phenolic stop, same side Same as above, with tip and stop on opposite sides

### W230K1 KIT (FOR SR-1, SRL, STL RELAYS, SN PILE-UP'S)

For the mechanic who rebuilds several SR-1, SRL and STL relays each year, as well as SN selector pile-up assemblies, this economical replacement contact pack is just the thing. Includes all the contact blades listed above, plus: 10 thin spacers, 4 medium spacers, 4 thick spacers.

Adams part no.	Description	Quantity
<b>W230K1</b>	W229	10
	W230, W231	} 4 each
	W232, W233	

STATIONARY CONTACTS w/HOLDERS (TYPE DS)		
Adams part no.	Description	Westinghouse part no.
<b>W234</b>	Includes <b>W221</b> contact for Type DS relay 3/8" hex x 1 5/8" L; 2 1/8" L threaded stake	M-3467-G2, G3
<b>W235</b>	"U"-shape with <b>W221</b> contact for Type DS relay	K-1809G1



# Miscellaneous Selector Components



TYPE E LANDING SWITCHES		
Adams part no.	Contact configuration	Westinghouse part nos.
<b>W880K1</b>	1 make/1 break; 1 N/O, 1 N/C	324C969-G04
<b>W880K2</b>	2 make; 2 N/O	324C969-G03
<b>W880K3</b>	1 make; 1 N/O	324C969-G06, G01
<b>W880K4</b>	1 break; 1 N/C	324C969-G02, G08
<b>W880K5</b>	2 break; 2 N/C	324C969-G05, G07

**W255S1**  
(All 4 assemblies in this series are for use with DM selector)



W255-SERIES PILE-UP ASSEMBLIES		
Adams part no.	Make/break configuration	Westinghouse part no.
<b>W255S1</b>	5 MAKE; for use with DM selector	322C830-G13
<b>W255S2</b>	4 MAKE/1 BREAK; " " "	322C830-G14
<b>W255S3</b>	3 MAKE/2 BREAK; " " "	322C830-G15
<b>W255S4</b>	2 MAKE/3 BREAK; " " "	322C830-G16

SELECTOR TAPE		
Adams part no.	Description	Westinghouse part no.
<b>W302</b>	Stainless steel hatchway selector tape, 1"W x 0.032" thick. <i>Specify length when ordering.</i>	569A699-H01
<b>W875</b>	Nylatron™ selector tape guide	145A110H01
<b>W876A</b>	Short tape guide clip	145A111H01
<b>W876B</b>	Long tape guide clip w/radius	145A111H02



**W316C insulating contact cap**





# Miscellaneous Selector Components



MISCELLANEOUS WESTINGHOUSE PARTS		
Adams part no.	Description	Westinghouse part no.
<b>A560W3</b>	Relay adjuster wrench adjusts blade curvature and tension on W250-series relays; 0.032" slots	—
<b>W310</b>	Selector brush for Type N selector	M1259G03
<b>W315</b>	Travelling nut & cam for SN selector lead screw; 1/8" square pitch internal thread; brass nut with nylon cams eliminates need to replace entire lead screw and nut assembly when nut becomes worn	M-4700
<b>W316</b>	Cam blade; replaces SN selector spring that pushes the pile-up assy.	(25 pkg.)
<b>W316C</b>	Plastic contact cap for W316 cam blade	
<b>W320</b>	Rubber coupling to SN selector	K3233H01
<b>W275</b>	Inductor switch, complete	T-4483G19
<b>W240</b>	Brake contact assembly; incl. 2 silver contacts, 7/16" dia.	M-3665G2 R7533G04
<b>W330S1</b>	Selector switch, 1 make	217B203G01
<b>W330S2</b>	Selector switch, 1 break (not shown)	217B203G02
<b>WT396</b>	Solid-state replacement for Traffic Sentinel photo tube	H3090H11
<b>WT398*</b>	Electronic tube	K4336H01
<b>WT399S</b>	Solid-state repl. for ERL system tubes, 2/pkg.; includes installation instructions	RCA no.: 6012

# Replacement Coils for Westinghouse Relays



Adams stocks replacements for coils used on Westinghouse relays and contactors. Our coils are wound to rigid standards for both physical and electrical characteristics. We've determined that the reliability of these paper-wound coils is equal to or greater than the OEM coils you may be using now.

Replacement Westinghouse coils are listed on the next two pages under the name of the relay or contactor in which they are used. Representative models from each series appear in the photograph above and on the facing page. Voltages are rated VDC.

COILS FOR SR RELAY		
Adams part no.	Voltage	Westinghouse part no.
E1001	48	X19BG1
E1002	190	X19BG2
E1003	94	X19BG3
E1005	24	X19BG5
E1006	200	X19BG6
E1007	120	X19BG7
E1013	98	X19CG3
E1014	48	X19CG4
E1017	14	X19CG7
E1201	125	X19BG8, X19ZG12, X19ZGR12, K5801G1
E1202	62.5	X19BG4, X19ZG13, X19ZGR13, K5801G2

COIL FOR STL, STL-1, & STL-3 RELAYS		
Adams part no.	Voltage	Westinghouse part no.
E1302	48	X19CG2

COIL FOR STL-2 RELAY		
Adams part no.	Voltage	Westinghouse part no.
E1313	48	K5802G3

COILS FOR CR RELAY		
Adams part no.	Voltage	Westinghouse part no.
E1510	125	X19BBG10, X19ZGR5, X19BBGR10, X19ZG5
E1511	125	X19BBG11, X19ZG6, X19ZGR6
E1512	230	X19BBG12, X19ZG7, X19ZGR7
E1513	62.5	X19BBG13
E1514	125	X19BBG14, X19ZG2, X19ZGR2
E1515	125	X19BBG15, X19ZG3, X19ZGR3
E1516	125	X19BBG16, X19ZG4, X19ZGR4
E1517	62.5	X19BBG17, X19ZG8, X19ZGR8

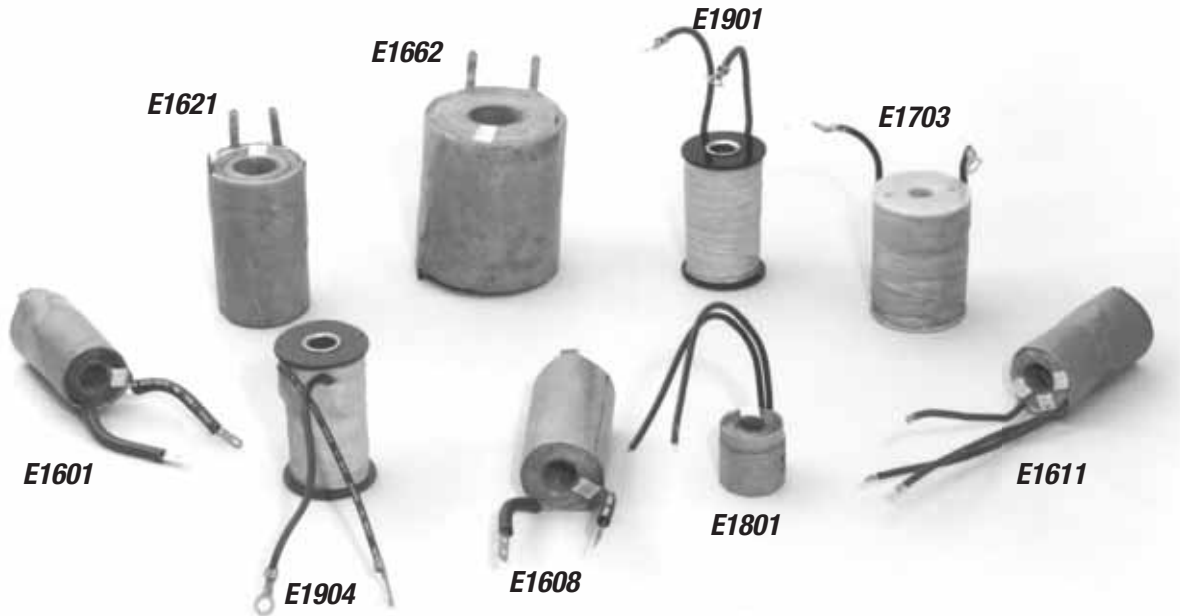
COILS FOR SR-1 RELAY		
Adams part no.	Voltage	Westinghouse part no.
E1203	62.5	X19BG14, X19ZG14, X19ZGR14, K5801G3
E1204	125	X19ZG15, X19ZGR15, K-5801G4, X19BG11
E1211	125	X19BAG3, X19BDG1, X19CG5, K5802G1
E1212	125	X19CG8, X19BDG2, K5802G2

COILS FOR SRL RELAY		
Adams part no.	Voltage	Westinghouse part no.
E1412	62.5	X19BG12, K6738G2
E1413	24	X19BG13
E1421	125	X19BG9, K6738G1
E1422	48	X19BG10, X19BBG7, K6738G2

COILS FOR 6B CONTACTOR		
Adams part no.	Voltage	Westinghouse part no.
E1521	230	X19BFG1, X19BAG1
E1522	230	X19BFG2, X19BAG2

CB = BH  
CA = BG  
CC = BJ

# Replacement Coils for Westinghouse Relays



COILS FOR ES AND EST RELAYS						
Adams part no.		Voltage	ES	EST	Westinghouse part no.	
Solder	Plug				Solder terminals	Plug terminals
<b>E1601</b>	<b>E1631</b>	125	•		X19BGG01, G20 X19BGGR1	X19BGG17
<b>E1602</b>	<b>E1632</b>	62.5	•		X19BGG02, G21 X19BGGR2	X19BGG18
<b>E1603</b>	<b>E1633</b>	125		•	X19BGG03, GR3	X19BGG11
<b>E1604</b>	<b>E1634</b>	125		•	X19BGG04, GR4	X19BGG12
<b>E1605</b>	<b>E1635</b>	64	•		X19BGG05, GR5	X19BGG13
<b>E1606</b>	<b>E1636</b>	62.5		•	X19BGG06, GR6	X19BGG14
<b>E1607</b>	<b>E1637</b>	125	•		X19BGG07, GR7	X19BGG15
<b>E1608</b>	<b>E1638</b>	21	•		X19BGG08, GR8	X19BGG16
<b>(3 leads)</b>						
<b>E1611</b>	<b>E1641</b>	125	•		X19BHG1, GR1	X19BHG10
<b>(2 solder lugs, no leads)</b>						
<b>E1621</b>	—	125		<b>Type EC</b>	X19BJG01	
<b>E1622</b>	—	62.5		<b>Type EC</b>	X19BJG02	

COILS FOR KS RELAY				
Adams part no.		Voltage	Westinghouse no.	
2-lead	3-lead		2-lead	3-lead
<b>E1901</b>	<b>E1911</b>	240	X19GG1	X19HG1
<b>E1902</b>	<b>E1912</b>	120	X19GG2	X19HG2
<b>E1903</b>	<b>E1913</b>	300	X19GG3	X19HG3
<b>E1904</b>	<b>E1914</b>	48	X19GG4	X19HG4
	<b>E1915</b>	16		X19HG5
<b>E1906</b>		120	X19GG6	

MISCELLANEOUS COILS			
Adams part no.	Voltage	Ω	Westinghouse part no.
<b>E1662</b>	125VDC	1100	X19BKG02
<b>E1703</b>		104	X19YG03
<b>E1704</b>		1.8	X19YG04
<b>E1706</b>		0.0166	X19YG06

COIL FOR SYNCHRO-DIAL HALL STATION BUTTON ASSY.		
Adams part no.	Voltage	Westinghouse part no.
<b>E1801</b>	n/a	X19ZG11, X19BBG3



**R9822G03**



**R9822G04**



**R9822G05**

### COILS FOR #7 SW.

Part No.	Coil Voltage
<b>R9822G03</b>	50 V
<b>R9822G04</b>	120 V
<b>R9822G05</b>	230 V
<b>R9822G06*</b>	125 V

\*R9822G06 for #7 Heavy Duty Sw.

## LINE STARTERS



**5406C62G06**



**7257C48H05**

### LINESTARTERS

Part No.	Size	Amps	Coil Voltage
<b>5406C62G01</b>	3.5	72	208
<b>5406C62G02</b>	3.5	72	240
<b>5406C62G05</b>	3.5	100	208
<b>5406C62G06</b>	3.5	100	240

### SOFTSTARTERS

Part No.	Amps	Coil Voltage
<b>7257C48H01</b>	42	200-480
<b>7257C48H05</b>	105	200-240
<b>7257C48H11</b>	42	400-600

# Brush Holder (SRH Motors—Constant Pressure Type)

<b>BRUSH HOLDERS</b>		
Part No.	For Brushes Measuring...	
	Thick (in.)	Width (in.)
4110D65G02	0.500	0.625
4110D65G03	0.375	0.625
4110D65G05	0.375	1.000
4110D65G06	0.500	1.000
4110D65G07	0.375	1.000
4110D65G08	0.500	1.000
4110D65G11	0.375	1.500
4110D65G12	0.500	1.500
4110D65G13	0.625	1.500
4110D65G15	0.500	1.500
4110D65G16	0.625	1.500
4110D65G17	0.750	1.500
Springs...	Length (in.)	Width (in.)
4110D65G25	2.0	0.625
4110D65G33	2.5	1.0



4110D65G06



4110D65G11



4110D65G25



4110D65G33

W702



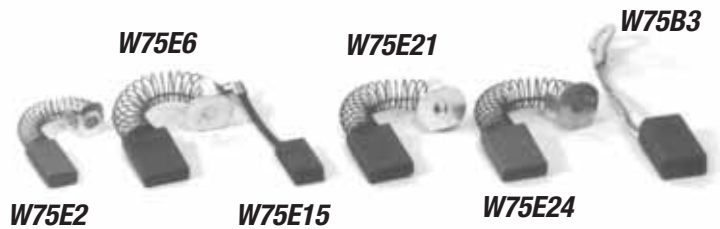
W701

<b>TACH GENERATOR (AT LEFT)</b>		
Adams part no.	Description	Westinghouse part no.
W701	Tach Generator 30VDC @ NL1800 RPM	569A803H01
W702	Tach generator brush 1/2" L, 1/8" W, 1 1/2" Long w/spring	569A803H02





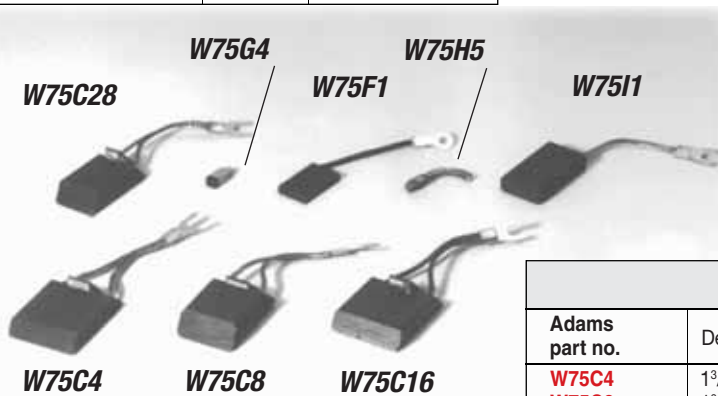
**W75A6**                      **W75A32**                      **W75A65**  
**W75A14**                      **W75A40**                      **W75A83**



**W75E2**                      **W75E6**                      **W75E15**                      **W75E21**                      **W75E24**

<b>W75A SERIES BRUSHES</b>			
Adams part no.	Dimensions	Bevelled edge	Westinghouse part no.
<b>W75A6</b>	1 3/4" L x 1" W x 1/2" D		X38-A6
<b>W75A9</b>	1 3/4" L x 1 1/4" W x 1/2" D		X38-A9
<b>W75A12</b>	1 1/2" L x 1" W x 3/8" D		X38-A12
<b>W75A14</b>	1 1/2" L x 3/4" W x 3/8" D	✓	X38-A14
<b>W75A16</b>	1 3/4" L x 1" W x 1/2" D		X38-A16
<b>W75A20</b>	1 1/2" L x 1" W x 3/8" D		X38-A20
<b>W75A32</b>	1 3/4" L x 1 1/4" W x 1/2" D		X38-A32
<b>W75A36</b>	1 3/4" L x 1" W x 5/8" D		X38-A36
<b>W75A39</b>	1 3/4" L x 1" W x 1/2" D		X38-A39
<b>W75A40</b>	1 3/4" L x 1 1/4" W x 5/8" D		X38-A40
<b>W75A63</b>	1 1/2" L x 1" W x 3/8" D		X38-A63
<b>W75A64</b>	1 1/2" L x 1" W x 3/8" D		X38-A64
<b>W75A65</b>	1 1/2" L x 3/4" W x 3/8" D		X38-A65
<b>W75A67</b>	1 3/4" L x 1 1/4" W x 1/2" D		X38-A67
<b>W75A74</b>	1 1/2" L x 3/4" W x 3/8" D		X38-A74
<b>W75A83</b>	1 1/2" L x 1" W x 3/8" D		X38-A83
<b>W75A91</b>	1 1/4" L x 25/32" W x 15/32" D		X38-A91
<b>W75A93</b>	2" L x 1 1/4" W x 3/8" D	✓	

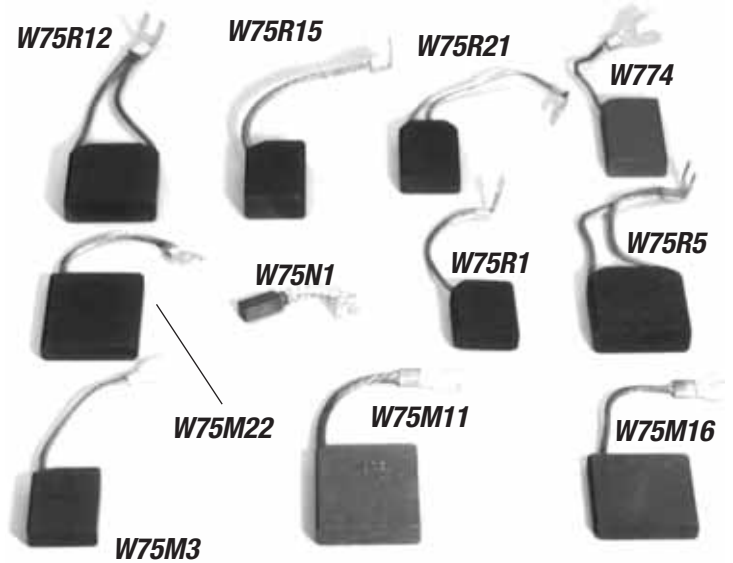
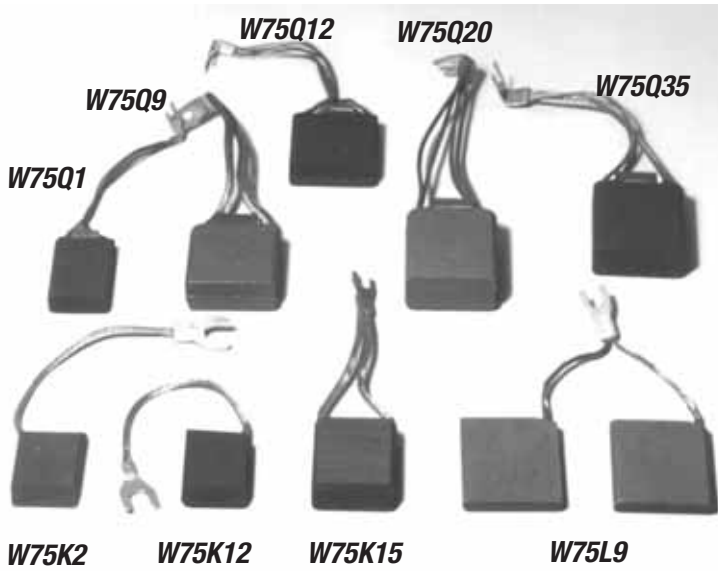
<b>W75B AND E SERIES BRUSHES</b>			
Adams part no.	Dimensions	Bevel edge	Westinghouse part no.
<b>W75B3</b>	1 1/4" L x 3/4" W x 3/8" D	✓	X38-B3
<b>W75B7*</b>	1 1/4" L x 3/4" W x 3/8" D	Radius	X38-B7
<b>W75B8</b>	1 1/4" L x 3/4" W x 3/8" D	✓	X38-B8
<b>W75B9</b>	1 1/4" L x 3/4" W x 3/8" D	✓	X38-B9
<b>W75E2</b>	1 1/64" L x 1/2" W x 1/4" D	Radius	X38-E2
<b>W75E3</b>	1 1/4" L x 3/4" W x 1/4" D	Radius	X38-E3
<b>W75E4</b>	1" L x 1/2" W x 1/4" (0.363") D	✓ Radius	X38-E4
<b>W75E6</b>	1 1/4" L x 3/4" W x 1/4" D	Radius	X38-E6
<b>W75E9</b>	1 1/8" L x 1/2" W x 1/4" D	Radius	X38-E9
<b>W75E14</b>	1 1/4" L x 3/4" W x 1/2" D	Radius	X38-E14
<b>W75E15</b>	1" L x 1/2" W x 1/4" (0.363") D	✓ Radius	X38-E15
<b>W75E18</b>	1 1/4" L x 3/4" W x 1/4" D	Radius	X38-E18
<b>W75E20</b>	1 1/8" L x 3/4" W x 1/4" D	Radius	X38-E20
<b>W75E21</b>	1 1/4" L x 3/4" W x 1/4" D	Radius	X38-E21
<b>W75E22</b>	1 1/4" L x 3/4" W x 1/4" D	Radius	X38-E22
<b>W75E23</b>	1 1/4" L x 3/4" W x 1/4" D	Radius	X38-E23
<b>W75E24</b>	1 1/4" L x 3/4" W x 1/4" D	Radius	X38-E24
<b>W75E25</b>	1 1/4" L x 3/4" W x 1/4" D	Radius	X38-E25
<b>W75E52</b>	1 1/4" L x 3/4" W x 1/4" D	Radius	X38-E52



**W75C4**                      **W75C8**                      **W75C16**

<b>W75F, G AND H SERIES BRUSHES</b>			
Adams part no.	Dimensions	Bevel edge	Westinghouse part no.
<b>W75F1</b>	5/8" L x 9/32" W x 7/32" D	Radius	X38-F1
<b>W75F3</b>	5/8" L x 1/4" W x 3/16" D		X38-F3
<b>W75G4</b>	1 1/8" L x 3/4" W x 3/16" D		X38-G4
<b>W75H5</b>	9/16" L x 1/4" W x 3/16" D	Radius	X38-H5
<b>W75H7</b>	3/4" L x 1/4" W x 1/4" D	Radius	X38-H7
<b>W75I1</b>	1 3/4" L x 1" W x 3/8" D		X38-I1

<b>W75C SERIES BRUSHES</b>			
Adams part no.	Description	Bevel edge	Westinghouse part no.
<b>W75C4</b>	1 3/4" L x 1 1/2" W x 3/8" D	✓	X38-C4
<b>W75C6</b>	1 3/4" L x 1 1/4" W x 1/2" D	✓	X38-C6
<b>W75C8</b>	1 3/4" L x 1 1/4" W x 1/2" D	✓	X38-C8
<b>W75C14</b>	1 3/4" L x 1" W x 1/2" D	✓	X38-C14
<b>W75C15</b>	1 3/4" L x 1 1/4" W x 1/2" D	✓	X38-C15
<b>W75C16</b>	1 3/4" L x 1 1/2" W x 3/8" D	✓	X38-C16
<b>W75C17</b>	1 3/4" L x 1 1/2" W x 1/2" D	✓	X38-C17
<b>W75C18</b>	1 3/4" L x 1" W x 3/8" D	✓	X38-C18
<b>W75C20</b>	1 3/4" L x 1 1/4" W x 1/2" D	✓	X38-C20
<b>W75C23</b>	1 3/4" L x 1 1/4" W x 1/2" D	✓	X38-C23
<b>W75C28</b>	1 3/4" L x 1" W x 1/2" D	✓	X38-C28
<b>W75C32</b>	1 3/4" L x 1" W x 3/8" D	✓	X38-C32
<b>W75C33</b>	1 3/4" L x 1 1/4" W x 1/2" D	✓	X38-C33
<b>W75C34</b>	1 3/4" L x 1 1/2" W x 3/8" D	✓	X38-C34



Adams part no.	Dimensions	Base	Westinghouse part no.
<b>W75K2</b>	1 3/4" L x 1" W x 3/8"	B	X38-K2
<b>W75K7</b>	1 3/4" L x 1 1/4" W x 1/2"	B	X38-K7
<b>W75K8</b>	1 3/4" L x 1" W x 3/8"	B	X38-K8
<b>W75K12</b>	1 1/2" L x 1" W x 3/8"	B	X38-K12
<b>W75K13</b>	1 3/4" L x 1" W x 3/8"	B	X38-K13
<b>W75K14</b>	1 3/4" L x 1" W x 1/2"	B	X38-K14
<b>W75K15</b>	1 3/4" L x 1 1/4" W x 1/2"	B	X38-K15
<b>W75L1</b>	1 1/2" L x 1" W x 1/2"	S	X38-L1
<b>W75L2</b>	1 1/2" L x 1 1/2" W x 1/2"	S	X38-L2
<b>W75L9</b>	1 3/4" L x 1 1/2" W x 1/2"	S	X38-L9
<b>W75L10</b>	1 1/2" L x 1 1/2" W x 1/2"	S	X38-L10
<b>W75L11</b>	1 1/2" L x 1" W x 1/2"	S	X38-L11
<b>W75Q1</b>	1 1/2" L x 1" W x 3/8"	A	X38-Q1
<b>W75Q2</b>	1 1/2" L x 1" W x 1/2"	A	X38-Q2
<b>W75Q3</b>	1 1/2" L x 1 1/2" W x 1/2"	A	X38-Q3
<b>W75Q9</b>	1 1/2" L x 1 1/2" W x 5/8"	A	X38-Q9
<b>W75Q10</b>	1 1/2" L x 1 1/2" W x 1/2"	A	X38-Q10
<b>W75Q11</b>	1 3/4" L x 1 1/2" W x 5/8"	A	X38-Q11
<b>W75Q12</b>	1 3/4" L x 1" W x 3/4"	A	X38-Q12
<b>W75Q14</b>	1 1/2" L x 1 1/2" W x 5/8"	A	X38-Q14
<b>W75Q16</b>	1 3/4" L x 1 1/2" W x 3/4"	A	X38-Q16
<b>W75Q20</b>	1 3/4" L x 1 1/2" W x 5/8"	A	X38-Q20
<b>W75Q22</b>	1 1/2" L x 1" W x 1/2"	A	X38-Q22
<b>W75Q34</b>	1 1/2" L x 1 1/2" W x 5/8"	A	X38-Q34
<b>W75Q35</b>	1 1/2" L x 1 1/2" W x 1/2"	S	X38-Q35
<b>W75Q36</b>	1 3/4" L x 1 1/2" W x 5/8"	S	X38-Q36
<b>W75Q37</b>	1 3/4" L x 1 1/2" W x 3/4"	A	X38-Q37
<b>W75Q38</b>	1 3/4" L x 1 1/2" W x 1"	A	X38-Q38

Adams part no.	Dimensions	Base	Westinghouse part no.
<b>W75M3</b>	1 1/4" L x 1" W x 3/8"	F	X38-M3
<b>W75M9</b>	1 1/4" L x 1" W x 3/8"	F	X38-M9
<b>W75M10</b>	1 3/4" L x 1 1/2" W x 5/16"	F	X38-M10
<b>W75M11</b>	1 1/2" L x 1 1/2" W x 3/8"	F	X38-M11
<b>W75M12</b>	1 1/2" L x 1 1/2" W x 5/16"	F	X38-M12
<b>W75M15</b>	1 1/4" L x 1" W x 3/8"	F	X38-M15
<b>W75M16</b>	1 1/2" L x 1 1/2" W x 5/16"	F	X38-M16
<b>W75M20</b>	1 3/4" L x 1 1/2" W x 5/16"	F	X38-M20
<b>W75M21</b>	1 1/4" L x 1" W x 3/8"	F	X38-M21
<b>W75M22</b>	1 3/4" L x 1 1/2" W x 5/16"	F	X38-M22
<b>W75M24</b>	1 1/2" L x 1 1/2" W x 5/16"	F	X38-M24
<b>W75M25</b>	1 3/4" L x 1 1/2" W x 1/2"	F	X38-M25
<b>W75N1</b>	3/4" L x 5/16" W x 1/4"	F	X38-N1
<b>W75N2</b>	1" L x 5/16" W x 1/4"	F	X38-N2
<b>W75R1</b>	1 1/4" L x 1" W x 3/8"	F	X38-R1
<b>W75R2</b>	1 1/4" L x 1" W x 3/8"	F	X38-R2
<b>W75R4</b>	1 1/2" L x 1 1/2" W x 3/8"	F	X38-R4
<b>W75R5</b>	1 1/2" L x 1 1/2" W x 1/2"	F	X38-R5
<b>W75R10</b>	1 1/4" L x 1" W x 3/8"	F	X38-R10
<b>W75R11</b>	1 1/2" L x 1 1/2" W x 3/8"	F	X38-R11
<b>W75R12</b>	1 1/2" L x 1 1/2" W x 1/2"	F	X38-R12
<b>W75R13</b>	1 1/2" L x 1 1/2" W x 5/8"	F	X38-R13
<b>W75R14</b>	1 1/4" L x 5/8" W x 3/8"	F	X38-R14
<b>W75R15</b>	1 1/2" L x 1" W x 1/2"	F	X38-R15
<b>W75R16</b>	1 1/2" L x 1 1/2" W x 3/8"	F	X38-R16
<b>W75R18</b>	1 1/4" L x 5/8" W x 3/8"	F	X38-R18
<b>W75R21</b>	1 1/2" L x 1" W x 3/8"	F	X38-R21
<b>W75R38</b>	1 1/4" L x 1" W x 3/8"	F	X38-R38
<b>W75T1</b>	1/4" dia. x 1" L; 1 5/8" L spring, 1/4" dia.	R	X38-T1
<b>W719</b>	1 1/8" L x 5/8" W x 3/8"; 4 1/2" L shunt	F	spec. W2070
<b>W774</b>	1 3/4" L x 1" W x 3/8"	F	spec. 2176

B=Bevelled; F=Flat; R=Radius Edge; S=Separated; A=Attached Split

# Westinghouse Interlocks

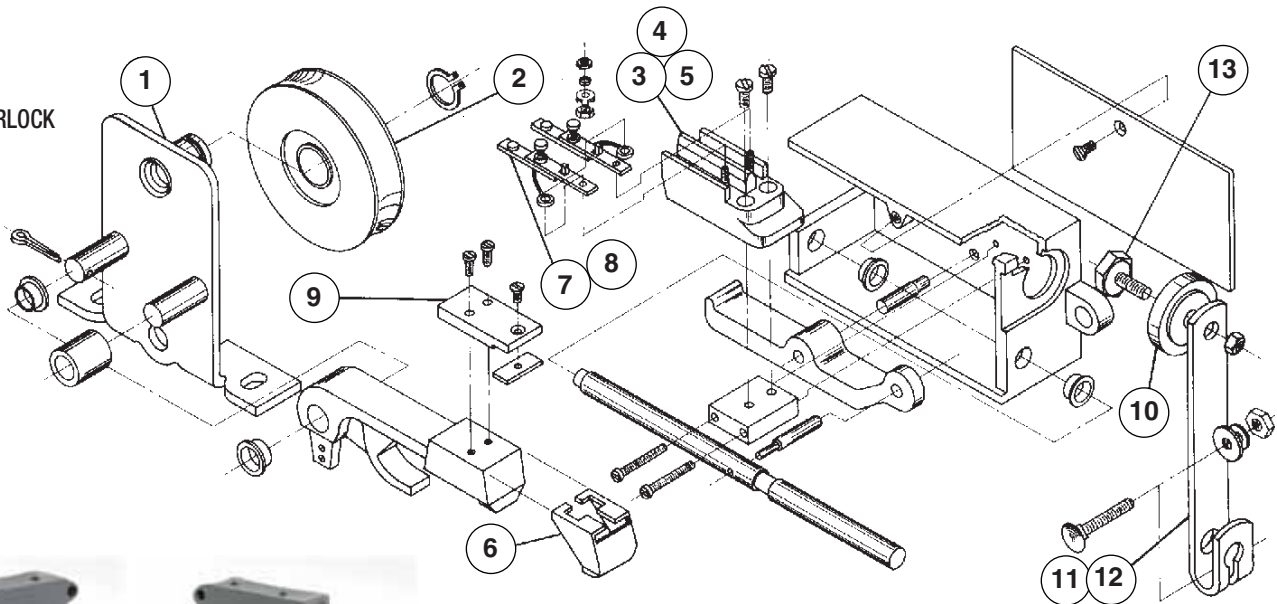
On the next 8 pages, we have listed the four types of Westinghouse interlocks for which Adams manufactures component parts.

On the left-hand pages, you'll find an exploded diagram that shows the relationship between the components in each interlock. Key numbers in the diagram correspond with the replacement parts listed in the table below each diagram.

On the right-hand pages, you'll find photographs of the component parts, followed by ordering information.

We recommend that you find the part you need in the diagrams on the left, then confirm the Adams part no. and part description with the photos on the right.

### TYPE B-2 INTERLOCK



626D686G01



626D686G02



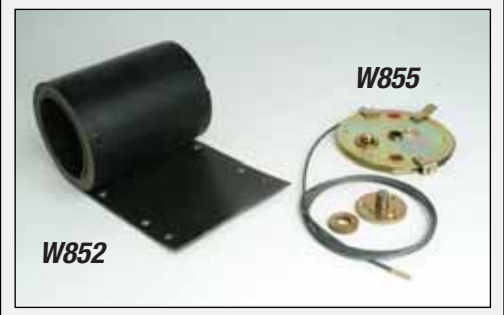
### B-2 INTERLOCK COMPONENTS (W8100)

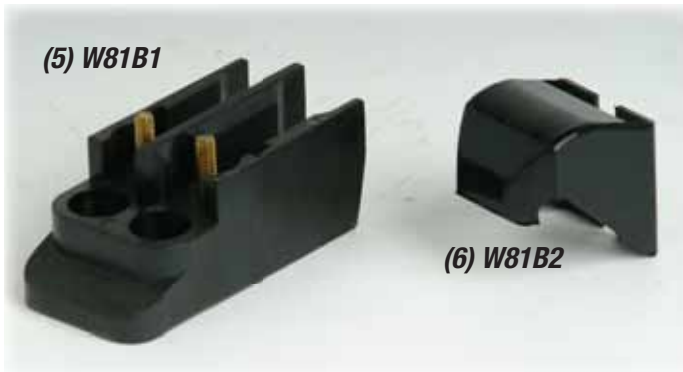
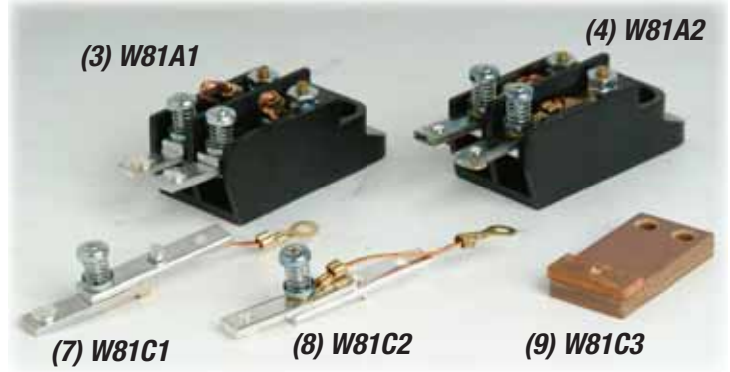
Key no.	Adams part no.	Description	Westinghouse part no.
	<b>626D686G01</b> <b>626D686G02</b>	Complete B2 Interlock RH Complete B2 Interlock LH	
1	<b>W405</b>	Door hanger assembly (cable studs sold sep. on p.341)	T5411
2	<b>W405A</b>	Door hanger roller	R8858G98
3	<b>W81A1</b>	Stationary contact ass'y, complete (shown above); incl. base with 2 moveable contacts, N/O	R3620G01
4	<b>W81A2</b>	Stationary contact ass'y, complete (shown, next pg.); incl. base with 2 moveable contacts, N/C	R3620G02
5	<b>W81B1</b>	Contact base only	—
6	<b>W81B2</b>	Latch lever insulator shoe	145A765H01
7	<b>W81C1</b>	Contact assembly, N/O (shown above); includes copper shunt & eyelet	R3620G3
8	<b>W81C2</b>	Contact assembly, N/C (shown, next pg.); includes copper shunt & eyelet	R3620G4
9	<b>W81C3</b>	Contact bridge block w/copper contact	R6952-10 & K59572
10	<b>W81R1</b>	Roller	K3244G01
11	<b>W81L1</b>	Roller arm	K7028H01
12	<b>W81L2</b>	Roller/roller arm assembly, complete	—
13	<b>W81S1</b>	Roller stud, threaded	K65831

### SAFETY EDGE ACCESSORIES

**W852.** Rubber cover for Westinghouse safety edge nose, 83" x 6"; incl. pre-punched mounting holes.

**W855.** Safety edge retracting unit; 5 1/2" O.D. mounting plate and 1/8" dia. steel cable, 7' long.





<b>B-2 DRIVE BLOCKS (POLY &amp; RUBBER)</b>				
Adams part no.	Dimensions		Material	Westinghouse part no.
	Length	Slot		
<b>W825R</b> <b>W825P</b>	5 1/2"	1"	Rubber Polyurethane	M3393-1
<b>W826R</b> <b>W826P</b>	8"	1"	Rubber Polyurethane	M3639-1
<b>W827R</b> <b>W827P</b> <b>W828P</b>	10" 10" 8"	1 5/8" 1 5/8" 1 5/8"	Rubber Polyurethane Polyurethane	R9314-1 M-6845H01

Drive Blocks



DOOR RETRACTOR HARDWARE KIT

Here's a welcome assortment of high-demand parts to replace missing hardware for safety edge retracting units.

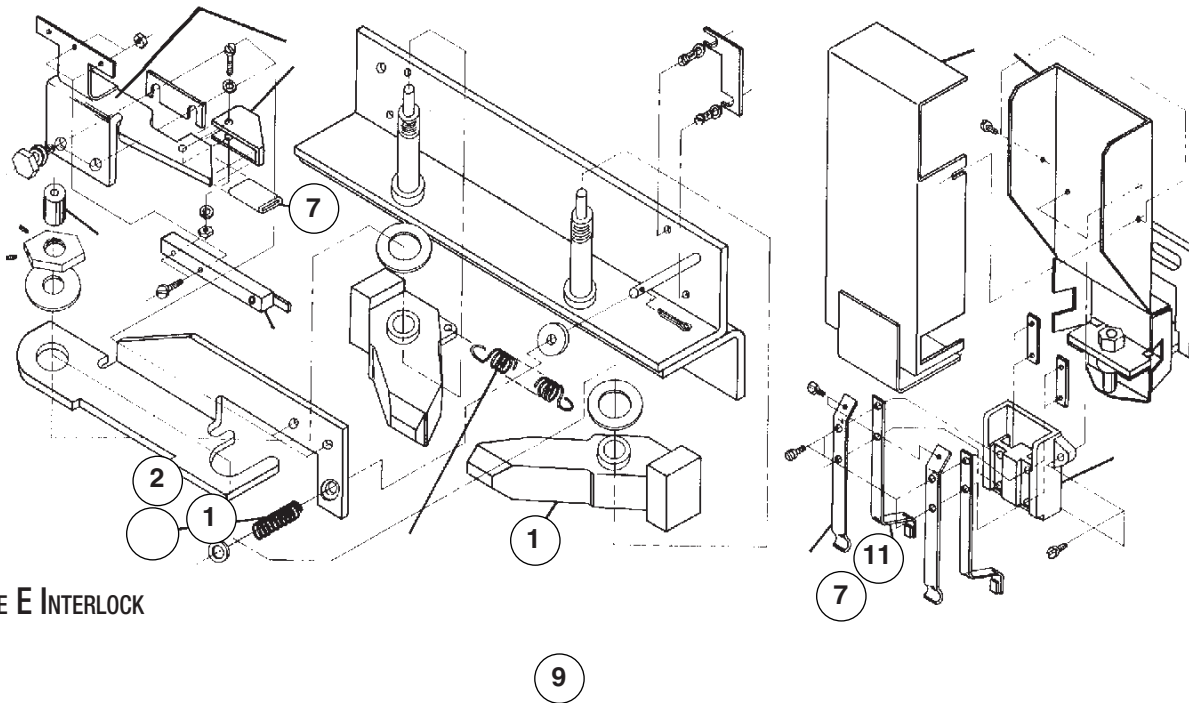
Each kit includes:

- 1 retaining ring (a)
- 1 washer, 1/2"OD x 1/8"ID x 1/16" (b)
- 1 bearing roller (c) • 1 finger guide (d)
- 2 cable angle holders (e)
- 2 pan head screws, #10-32 x 3/8"L (f)
- 1 pan head screw, #8-32 x 3/8"L (g)



- 3 flat head screws, #10-32 x 3/8"L (h)
  - 3 bushings, 1/2"OD x 3/8"ID x 5/16"L (i)
- Adams part no. **W855K1**. Hardware kit.





TYPE E INTERLOCK

### E INTERLOCK COMPONENTS

Key no.	Adams part no.	Description	Westinghouse part no.
1	<b>W82D1</b>	Nylon drive block ass'y. for stationary vane (shown); 4 <sup>3</sup> / <sub>16</sub> "L	151B671H01
2	<b>W82D2</b>	Nylon drive block ass'y. for retractable vane (not shown); 3 <sup>7</sup> / <sub>16</sub> "L	151B776H01
3	<b>W82S1</b>	Drive block spring, 1 <sup>7</sup> / <sub>8</sub> "L x <sup>3</sup> / <sub>8</sub> "OD	X9K-1
4	<b>W82S2</b>	Latch arm spring, 1 <sup>9</sup> / <sub>16</sub> "L x <sup>7</sup> / <sub>16</sub> "OD	X9J-18
5	<b>W82L1</b>	Latch w/rubber nose (shoe), complete; LH, shown	144A563H01
6	<b>W82L2</b>	Latch w/rubber nose (shoe), complete; RH, not shown	144A563H01
7	<b>W82L3</b>	Rubber bumper (sleeve)	X14B5
9	<b>W82C1</b>	Contact bridge ass'y., micarta w/copper contact	144A520G01
10	<b>W82B1</b>	Contact base	215B687H01
11	<b>W82C2</b>	Contact finger w/silver tip	144A568G01
12	<b>W82C3</b>	Contact blade support	—
13	<b>W82K1</b>	Interlock switch in case, complete	465D864G01
14	<b>W82M1</b>	Repair kit w/zinc-plated roller holder, brass roller, 2 rivets, zinc-plated mounting stud, airplane nut	—
15	<b>W82M2</b>	Mounting base, "L" form; 4"H w/3 <sup>3</sup> / <sub>4</sub> " x 1" base; pre-formed mtg. holes for <sup>3</sup> / <sub>8</sub> -16 machine screws	—
16	<b>W82M3</b>	Mounting base; roller mount (2 <sup>3</sup> / <sub>8</sub> " x 2 <sup>1</sup> / <sub>2</sub> ") welded to base at 90° angle; mounting holes for <sup>3</sup> / <sub>8</sub> -16 machine screws	—

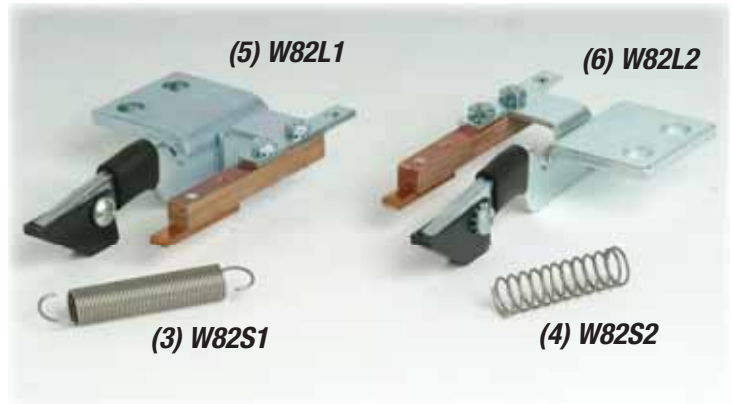




(1) W82D1  
(4<sup>3</sup>/<sub>16</sub>" long)



(2) W82D2  
(3<sup>7</sup>/<sub>8</sub>" long)

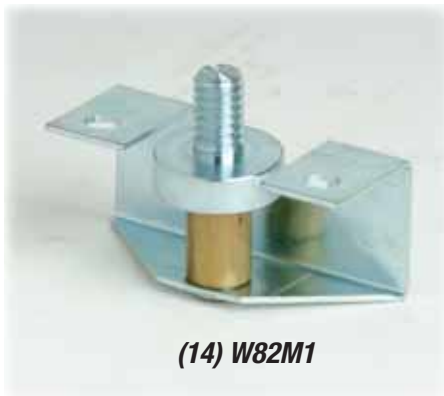


(3) W82S1

(4) W82S2

(5) W82L1

(6) W82L2



(14) W82M1



(15) W82M2



(16) W82M3



(9) W82C1



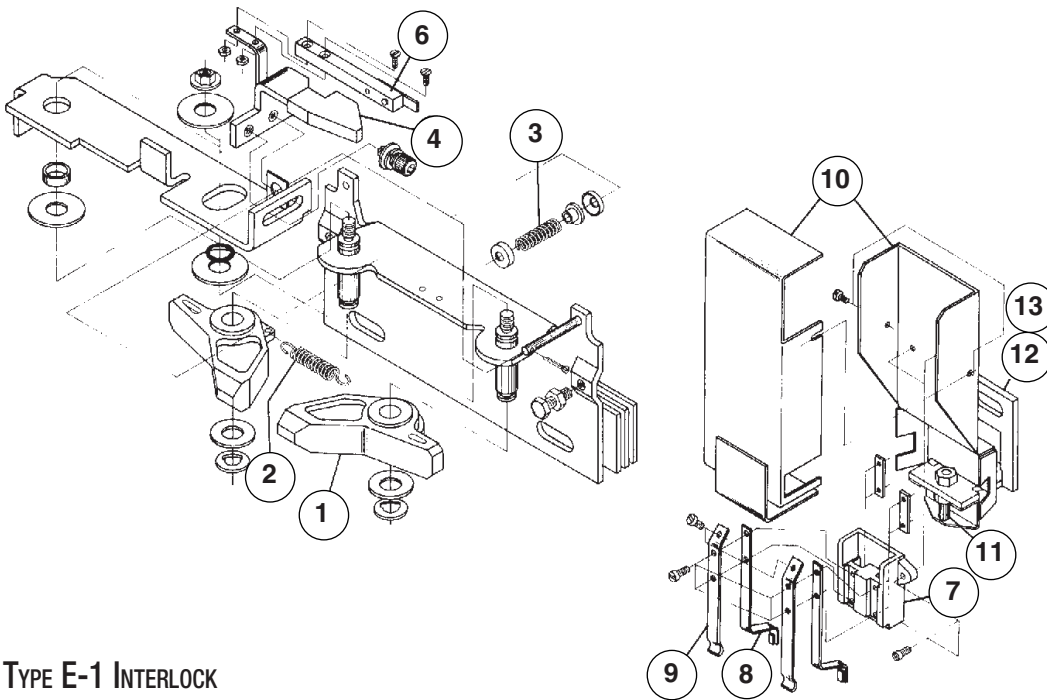
(7) W82L3



(11) W82C2

(10) W82B1

(13) W82K1



TYPE E-1 INTERLOCK

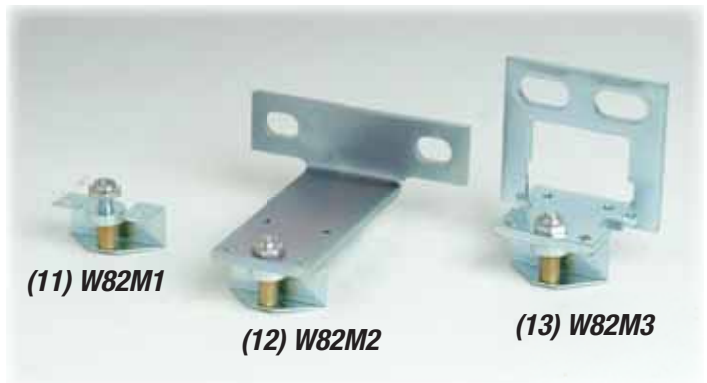
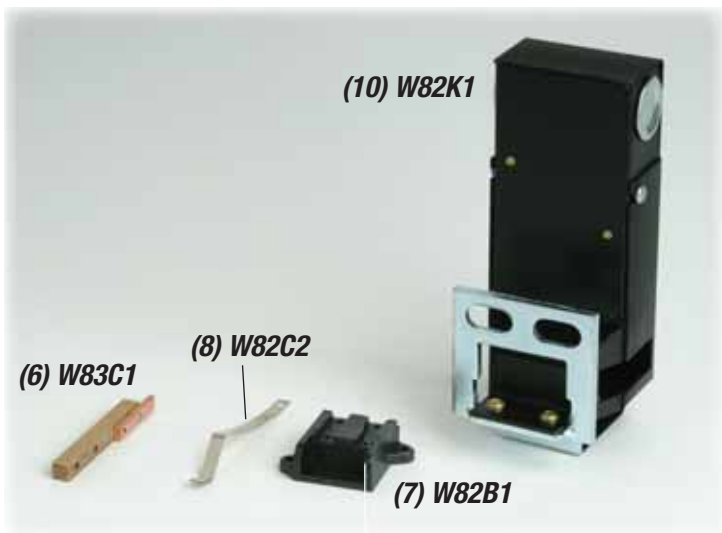
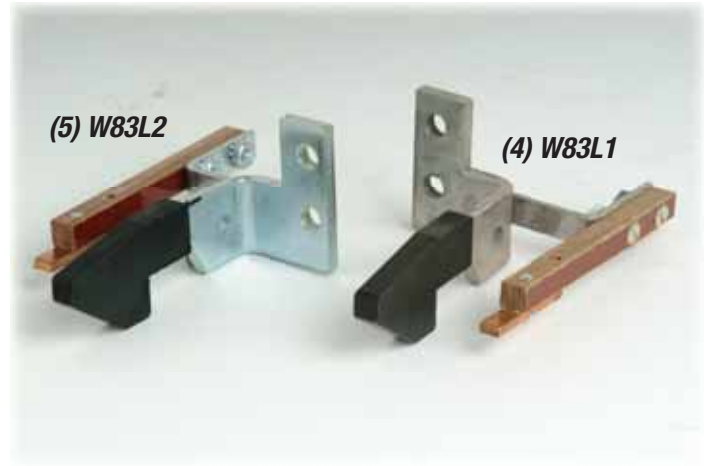
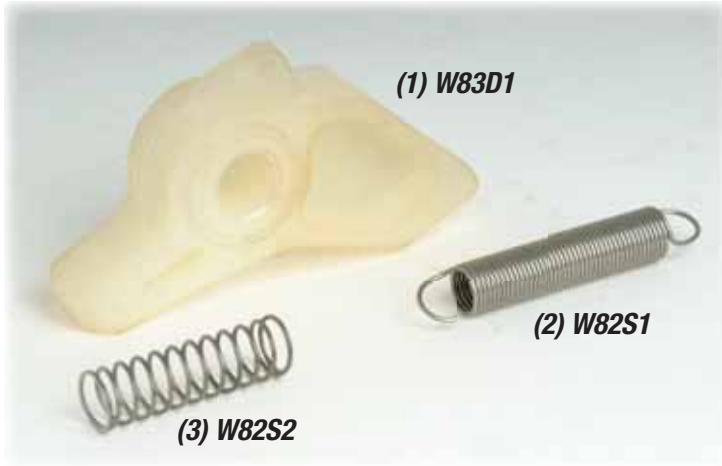
The exploded diagram at left shows the relationship among the components in each Type E-1 interlock. Key numbers in the diagram correspond with the replacement parts listed in the table below.

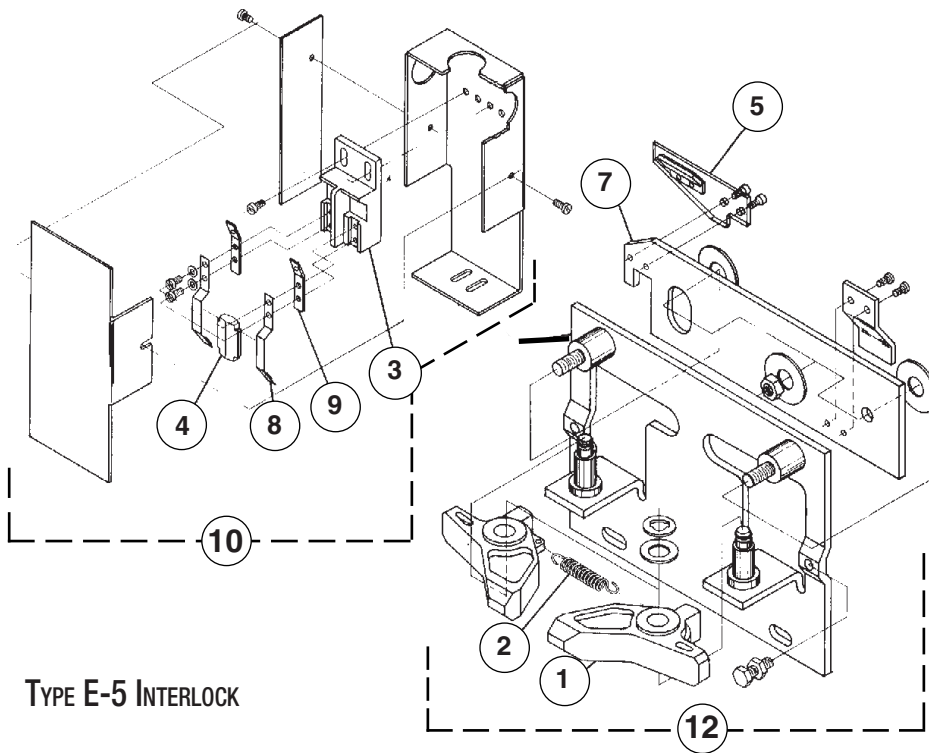
On the facing page, you'll find photographs of the component parts, keyed to the table below.

We recommend that you find the part you need in the diagram at left, then confirm the Adams part no. and part description with the photos at right.

Adams manufactures only the component parts for interlock types B2, E & E1; for the type E-5/E-5A interlock, however, we manufacture components and complete assemblies.

E-1 INTERLOCK COMPONENTS			
Key no.	Adams part no.	Description	Westinghouse part no.
1	<b>W83D1</b>	Nylon drive block assembly	576B812H01
2	<b>W82S1</b>	Drive block spring, 1 <sup>7</sup> / <sub>8</sub> "L x 3 <sup>3</sup> / <sub>8</sub> "OD	X9K-1
3	<b>W82S2</b>	Latch arm spring, 1 <sup>9</sup> / <sub>16</sub> "L x 7 <sup>1</sup> / <sub>16</sub> "OD	X9J-18
4	<b>W83L1</b>	Latch w/rubber nose (shoe), complete; LH, shown	324C463G06
5	<b>W83L2</b>	Latch w/rubber nose (shoe), complete; RH, shown on facing page	324C463G05
6	<b>W83C1</b>	Contact bridge ass'y., micarta w/copper contact	576B807G01
7	<b>W82B1</b>	Contact base	215B687H01
8	<b>W82C2</b>	Contact finger w/silver tip	144A568G01
9	<b>W82C3</b>	Contact blade support	—
10	<b>W82K1</b>	Interlock switch in case, complete	628D075G01
11	<b>W82M1</b>	Repair kit incl. roller holder, brass roller, 2 rivets, mounting stud, airplane nut	—
12	<b>W82M2</b>	Mounting base, "L" form; 4"H w/3 <sup>3</sup> / <sub>4</sub> " x 1" base; pre-formed mounting holes for 3 <sup>8</sup> / <sub>16</sub> -16 machine screws	—
13	<b>W82M3</b>	Mounting base; roller mount (2 <sup>3</sup> / <sub>8</sub> " x 2 <sup>1</sup> / <sub>2</sub> ") welded to base at 90° angle; mounting holes for 3 <sup>8</sup> / <sub>16</sub> -16 machine screws	—





TYPE E-5 INTERLOCK

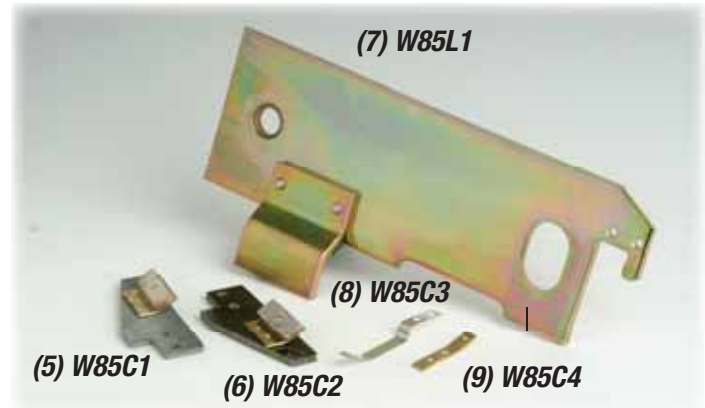
The exploded diagram at left shows the relationship among the components in each Type E-5 interlock. Key numbers in the diagram correspond to the replacement parts listed in the table below.

On the facing page, you'll find photographs of the component parts, followed by ordering information.

Find the part you need in the diagram at left, then confirm the Adams part no. and part description with the photos at right.

### E-5/E-5A INTERLOCK COMPONENTS

Key no.	Adams part no.	Description	Westinghouse part no.
1	W85D1	Nylon drive block	630B424H01
2	W85S1	Drive block spring, 1 <sup>15</sup> / <sub>16</sub> "L x 7/ <sub>16</sub> "OD	X9KS1H02
3	W85B1	Contact base for stationary contacts	682A226H01
4	W85B2	Contact separator	864A963H01
5	W85C1	Contact bridge ass'y., RH	682A244H01
6	W85C2	Contact bridge ass'y., LH	682A245G01
7	W85L1	Latch lever	196C523H01
8	W85C3	Contact blade with silver contact	682A227G01
9	W85C4	Contact blade support	682A302H01
10	W85K1	Interlock switch in case, complete; RH	196C527G01
11	W85K2	Interlock switch in case, complete; LH	196C527G02
12	W85A1	Drive block ass'y., complete; RH	5194D85G01
—	W85A2	Drive block ass'y., complete; LH	5194D85G02
14	W85M1	Mounting bracket for W85K1/K2, single bend	197C567H01
15	W85M2	Mounting bracket for W85K1/K2, double bend	197C534H01
16	W85M3	Mounting bracket for W85K1/K2, triple bend	197C534H03



**WK85A1**



**WK85A1** E-5/E-5A interlock assembly (shown) RH, complete; incl. W85A1 and W85K1. Replaces Westinghouse part no. 5212D87G05.

**WK85A2** E-5/E-5A interlock assembly (opposite of shown) LH, complete; incl. W85A2 and W85K2. Westinghouse part no. 5212D87G01.



All the rollers featured on the next four pages have sealed bearings. This feature is added for maintenance convenience.

In many cases we have used polyurethane rollers instead of nylon. This gives Adams replacement hanger assemblies more durability for a longer life.

### TYPE ACD/ACN HANGER ROLLER ASSEMBLIES FOR HATCH & CAR DOORS (E, E1, E3, E4)

Adams part no.	Description	Westinghouse part no.
<b>W401</b>	LH assembly, complete, incl. 2 <sup>3</sup> / <sub>4</sub> " dia. nylon roller wheel and bearing (part no. <b>W404</b> )	M7405-G4, G6
<b>W402</b>	RH assembly, complete; incl. 2 <sup>3</sup> / <sub>4</sub> " dia. nylon roller wheel and bearing (part no. <b>W404</b> )	M7405-G3, G5
<b>W413</b>	RH assembly, complete; incl. 2 <sup>3</sup> / <sub>4</sub> " dia. solid steel roller w/polyurethane tire (part no. <b>W415</b> )	M7405-G99*
<b>W414</b>	LH assembly, complete; incl. 2 <sup>3</sup> / <sub>4</sub> " dia. solid steel roller w/polyurethane tire (part no. <b>W415</b> )	M7405-G99*
<b>W403</b>	Upthrust roller assembly for "AC" hangers; 3 <sup>1</sup> / <sub>32</sub> " dia. x 7 <sup>1</sup> / <sub>16</sub> " wide; case hardened steel, cadmium plated	152B011-G02
<b>W404</b>	Nylon roller only, 2 <sup>3</sup> / <sub>4</sub> " dia.; bearing bore = 0.5906" (shown on page 292)	576B535-G04
<b>W415</b>	Steel roller only, w/poly tire; 2 <sup>3</sup> / <sub>4</sub> " dia.; bearing bore = 0.5906" (shown on page 292)	576B535-G98

\*Westinghouse part no. M7405-G99 refers to both LH and RH assemblies; Adams part nos. W413 & W414 refer to RH & LH separately. *Westinghouse OEM hub is aluminum.*

### TYPE B3M HANGER ROLLER ASSEMBLY

Adams part no.	Description	Westinghouse part no.
<b>W405</b>	Hanger assembly, complete, incl. 3 <sup>3</sup> / <sub>8</sub> " dia. aluminum roller w/polyurethane tire; all holes tapped to accept cable studs	T5411G99*
<b>W405A</b>	Aluminum/poly roller only, 3 <sup>3</sup> / <sub>8</sub> " dia. flat track	R8858G01
<b>W403</b>	Upthrust roller assembly for "AC" hangers	152B011-G02

\*Westinghouse part no. T5411G99 refers to a pair of identical hanger assemblies; Adams part no. W405 refers to one assembly only; order two (2) to replace one complete Westinghouse set.

### TYPE A3M HANGER ROLLER ASSEMBLY

Adams part no.	Description	Westinghouse part no.
<b>W406</b>	Hanger assembly, complete, incl. 4 <sup>9</sup> / <sub>8</sub> " dia. aluminum roller w/polyurethane tire; all holes tapped to accept cable studs	T5409G99*
<b>W406A</b>	Aluminum/poly roller only, 4 <sup>9</sup> / <sub>8</sub> " dia. flat track	R8636G01
<b>W406P</b>	Upthrust roller assembly for "AC" hangers; 1 <sup>3</sup> / <sub>8</sub> " dia. x 2 <sup>9</sup> / <sub>64</sub> " wide; case hardened steel, cadmium plated	M6029G01

\*Westinghouse part no. T5409G99 refers to a pair of hanger assemblies; Adams part no. W406 refers to one hanger assembly only.

**Cold rolled steel hanger assembly frames measure 4<sup>1</sup>/<sub>4</sub>"H x 5"W**



**Order W401 & W402 for nylon roller wheel; order W413 or W414 for steel/polyurethane wheel**

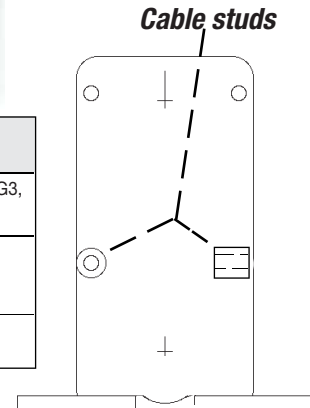
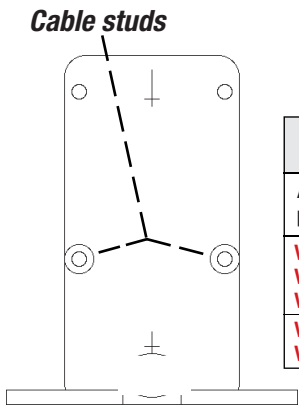
**Cold rolled steel hanger assembly frame measures 4<sup>3</sup>/<sub>4</sub>"H x 5"W**

**All wheels are mounted with retaining clips for easy replacement without changing complete assy.**



**Cold rolled steel hanger assembly frame measures 6<sup>1</sup>/<sub>4</sub>"H x 5<sup>3</sup>/<sub>4</sub>"W**





CABLE STUDS FOR W405- & W406-SERIES HANGERS						
Adams part no.	Description	Thread	T-5411-G3	T-5411-G4, G5, G6, G7	T-5409-G7	T-5409-G3, G4
<b>W405S1</b>	Eye clamp stud, 3/4" sq.	3/8-16	—	1	—	—
<b>W405S2</b>	Pin, 1/2" dia.	3/8-16	2	—	—	—
<b>W405S3</b>	Clamp bolt stud, 3/4" dia.	3/8-16	—	1	—	—
<b>W406S1*</b>	Eye clamp stud, 3/4" sq.	1/2-20	—	—	2	1
<b>W406S2*</b>	Clamp bolt stud, 3/4" dia.	1/2-20	—	—	—	1

\*Zinc plated.



TYPE AC2 HANGER ROLLER ASSEMBLIES FOR HATCH & CAR DOORS		
Adams part no.	Description	Westinghouse part no.
<b>W407R</b>	RH assembly, complete, incl. upthrust roller for hatch door and 4 3/8" dia. steel roller wheel w/polyurethane tire (part no. W407A)	323C083G99 series* 324C083G03 324C083G04
<b>W407L</b>	LH assembly, complete; same as W407R	
<b>W407A</b>	Steel/poly roller only, 4 3/8" dia.; bearing bore = 0.7874"	323C235G02
<b>W406P</b>	Upthrust roller for hatch door (replacement)	M6029G01

\*Westinghouse part no. 323C083G99 series contains a set of two (2) hangers; Adams part nos. W407R & W407L refer to individual RH & LH assemblies.

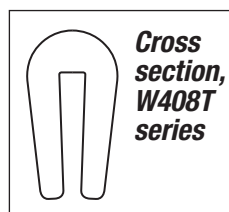


TYPE E-4 HATCH DOOR HANGERS WITH ALUMINUM ROLLER & REPLACEMENT TRACK		
Adams part no.	Description	Westinghouse part no.
<b>W408R*</b>	RH hanger assembly, complete	325C798G01
<b>W408L*</b>	LH hanger assembly, complete (not shown)	325C798G02
<b>W408RL</b>	One ea. W408R and W408L	325C798G05
<b>W408W1</b>	Aluminum roller only, 2 3/4" dia.	325C798G09
<b>W408W2</b>	Steel roller only, 3" dia.	—
<b>W408P</b>	Upthrust roller assembly only; 1" dia. x 7/16" wide roller	325C798G10
<b>W408T1</b>	Nylon roller track, 8 ft. length	569A844H01
<b>W408T2</b>	Nylon roller track, 10 ft. length	569A844H01

\*Westinghouse part no. 325C798G05 contains a set of two (2) hangers; Adams part nos. W408R & W408L refer to RH & LH assemblies separately.

**RIGHT HAND VS. LEFT HAND**  
 Standing inside the car and facing the hall,

LH roller assembly is on door that opens to the LEFT  
 RH roller assembly is on door that opens to the RIGHT





**694B995G01**



**GL-928-M**

<b>HANGER ROLLER ASSEMBLIES (EZ &amp; MG)</b>	
<b>Part No.</b>	<b>Description</b>
<b>694B995G01</b>	Hanger Assembly - EZ Operator
<b>M410</b>	Roller for 694B995G01
<b>GL-928-M</b>	Hanger Assembly - MG Operator (RH)
<b>7263C05H27</b>	Hanger Assembly - MG Operator (RH) FAST
<b>7263C05H28</b>	Hanger Assembly - MG Operator (LH) SLOW
<b>7263C05H29</b>	Hanger Assembly - MG Operator (RH) SLOW



**7263C05H27**



**7263C05H28**



**7263C05H29**



465D274G01



627D989G05



465D274G02



627D989G03



465D274G03



627D989G04



627D989G08



583725

**ROLLER GUIDE SHOE ASSEMBLIES**

Part No.	Description	Rollers Used in Assemblies
465D274G01	RGS Assembly - 3" Roller /8-16# CWT Rail	W409
465D274G02	RGS Assembly - 3" Roller /8-16# CWT Rail	144A277G01
465D274G03	RGS Assembly - 3" Replacement	144A277G01
627D989G05	RGS Assembly - 6" Roller CWT Rail	323C160G02
627D989G03	RGS Assembly - 4.5" - 6" Roller 8-16# CWT Rail	(2) W411, (1) W412
627D989G04	RGS Assembly - 4.5" - 6" Roller 8-15# CWT Rail	(1) 323C160G02 (2) M5594G02
627D989G08	RGS Assembly - 6" Roller 8-16# CAR Rail	323C160G02
583725	RGS Assembly - R3	
2177C32G01	RGS Assembly - H3, 3" Roller 8, 11, 16# CAR Rail	WE973W2

**ROLLER CAGE ASSEMBLIES**

Part No.	Description
215B488G01	Roller Cage Assembly - B4 Safety
322C240G01	Roller Cage Assembly - B6 Safety - 16# Rail
322C241G01	Roller Cage Assembly - B6 Safety - 18.5/32# Rail
694B214H01	Carriage Assembly - B1 Safety



215B488G01



322C240G01



694B214H01



322C241G01



### REPLACEMENT HANGER ASSEMBLY ROLLER ORDERING INFORMATION

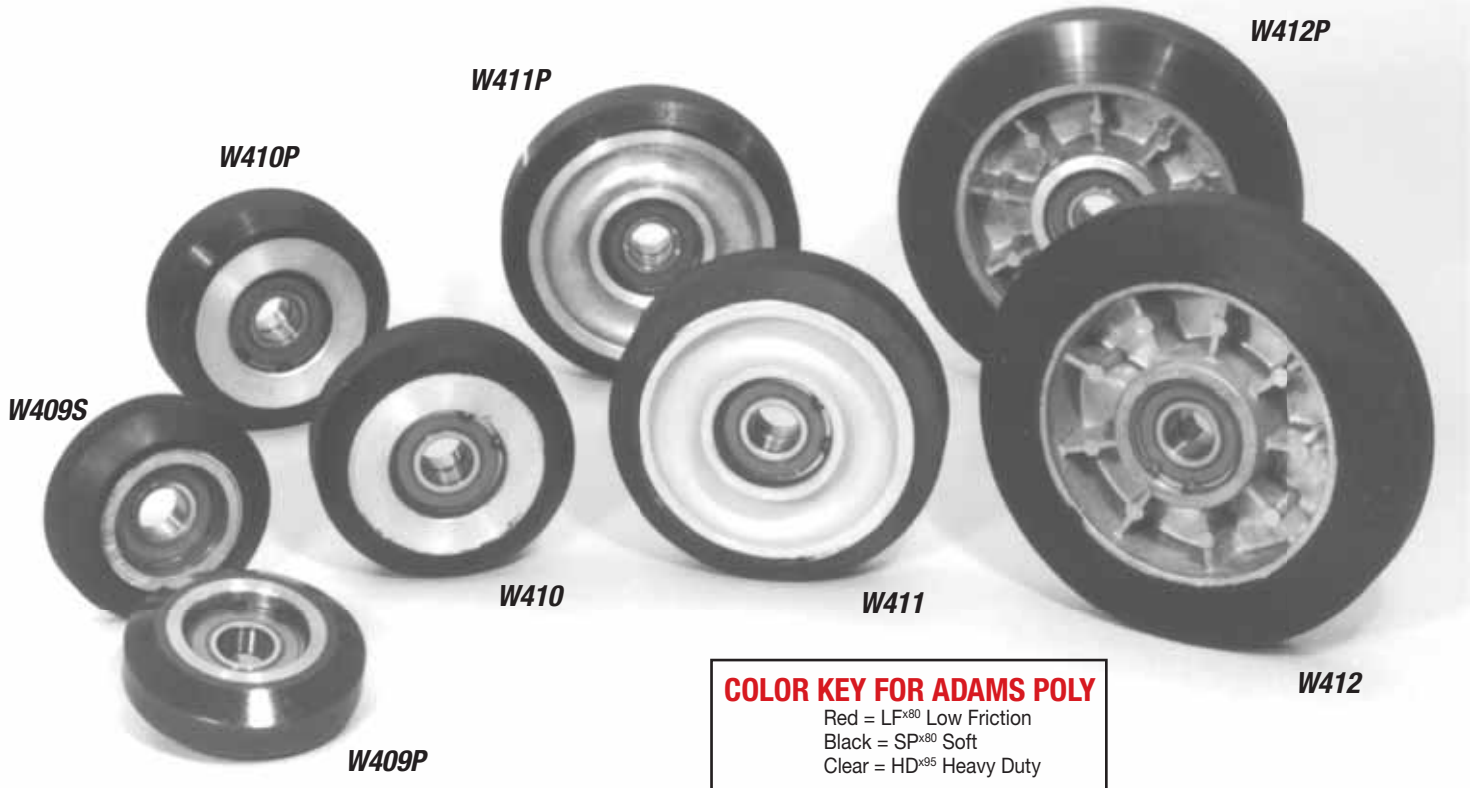
Adams part no.	Description	Outside diameter	Width	Tire material	Bearing bore	Westinghouse part no.
<b>W404</b>	Solid nylon roller wheel & bearing	2 <sup>3</sup> / <sub>4</sub> "	0.605"	none	0.5906"	576B535G04
<b>W405A</b>	Aluminum/poly roller for B3M hanger roller assembly	3 <sup>3</sup> / <sub>8</sub> "	0.705"	HDx <sup>95</sup> ™ poly	0.7874"	R8858G01
<b>W406A</b>	Aluminum/poly roller for A3M hanger roller assembly	4 <sup>3</sup> / <sub>8</sub> "	0.750"	HDx <sup>95</sup> ™ poly	1.181"	R8636G01
<b>W407A</b>	Aluminum/poly roller for AC2 hanger roller assembly	4 <sup>3</sup> / <sub>8</sub> "	0.680"	HDx <sup>95</sup> ™ poly	0.7874"	323C235G02
<b>W408W1</b>	Aluminum roller hub for E-4 hatch door hanger	2 <sup>3</sup> / <sub>4</sub> "	0.600"	none	0.6693"	325C798G09
<b>W408W2</b>	Steel Roller Hub	3"	0.656"	none	0.6693"	—
<b>W415M</b>	Solid aluminum heavy-duty hanger roller wheel	2 <sup>3</sup> / <sub>4</sub> "	0.610"	HDx <sup>95</sup> ™ poly	0.5906"	576B535G98
<b>W417M</b>	Hanger roller	2 <sup>29</sup> / <sub>32</sub> "	0.719"	HDx <sup>95</sup> ™ poly	0.6693"	7433C56H01



*See ordering information on next page.*



# Replacement Wheels for Westinghouse Guide Roller Assemblies



**COLOR KEY FOR ADAMS POLY**  
 Red = LF<sup>80</sup> Low Friction  
 Black = SP<sup>80</sup> Soft  
 Clear = HD<sup>95</sup> Heavy Duty

## Quiet Poly—An Adams Guide Roller Exclusive You Can't Afford to Be Without

You can't get a more quiet ride out of a guide roller than with our SPx<sup>80</sup>™ Quiet Poly. SPx<sup>80</sup> gives you the quiet ride you enjoy with rubber PLUS these added advantages:

- Quiet Poly guide rollers *last longer than rubber*

- Quiet Poly *stands up to petroleum products* that invade the hoistway and reduce roller life
- Quiet Poly *resists ozone degradation*

Try an SPx<sup>80</sup> Quiet Poly alternative next time you're replacing a guide roller. At long last...*the silence will be deafening!*

REPLACEMENT GUIDE ROLLER ORDERING INFORMATION						
Adams part no.	Description	Diameter	Width	Tire material	Bearing bore	Westinghouse part no.
<b>W409P</b>	Steel-hub counterweight roller guide wheel	3"	1.000"	HDx <sup>95</sup> ™ poly	0.6693"	144A277G02
<b>W409S</b>	Steel-hub counterweight roller guide wheel	3"	1.000"	SPx <sup>80</sup> ™ Quiet Poly	0.6693"	144A277G02
<b>W410</b>	Cast aluminum roller guide wheel	3 1/2"	1.250"	Rubber	0.6693"	M5594G04
<b>W410P</b>	Cast aluminum roller guide wheel	3 1/2"	1.250"	HDx <sup>95</sup> ™ poly	0.6693"	M5594G04
<b>W411</b>	Cast aluminum roller guide wheel	4 1/2"	1.250"	Rubber	0.6693"	M5594G02
<b>W411P</b>	Cast aluminum roller guide wheel	4 1/2"	1.250"	HDx <sup>95</sup> ™ poly	0.6693"	M5594G02
<b>W411S</b>	Cast aluminum roller guide wheel	4 1/2"	1.250"	SPx <sup>80</sup> ™ Quiet Poly	0.6693"	M5594G02
<b>W412</b>	Cast aluminum roller guide wheel	6"	1.200"	Rubber	0.6693"	323C160G01
<b>W412P</b>	Cast aluminum roller guide wheel	6"	1.200"	HDx <sup>95</sup> ™ poly	0.6693"	323C160G02
<b>W412S</b>	Cast aluminum roller guide wheel	6"	1.200"	SPx <sup>80</sup> ™ Quiet Poly	0.6693"	323C160G02
<b>W416</b>	Guide roller (pictured on facing page)	10 1/4"	1.250"	Rubber	0.6693"	M5594G05
<b>WE973W2</b>	Guide roller	3"	1.250"	SPx <sup>80</sup> ™ Quiet Poly	0.6693"	691B785G05
<b>146A988H01</b>	Shaft for face roller of 627D989G03 RGS ASSY (pictured on following page)					
<b>576B710H01</b>	Shaft for face roller of 627D989G03 RGS ASSY (pictured on following page)					



**R7466H05**  
Latch 126B  
Interlock



**K5260H01**  
Latch for B3 Interlock  
& Door Closer



**100778**  
Stud For #15 Interlock  
Hook



**M3706H04**  
Release Bar for B2 Interlock  
5.550/2550 Doors  
4 <sup>7</sup>/<sub>8</sub>" L X <sup>3</sup>/<sub>8</sub>" W



**2179C31G02**  
Interlock MTG Kit  
E5A/E5B 2S-E4 ENT



**6951C50G02**  
Latch Keeper  
Right Hand - WID Interlock  
(Adams)



**R7484H02**  
Release Lever  
F Door Interlock



**K3244H02**  
Rubber Tire 1 <sup>1</sup>/<sub>2</sub>" OD  
for B2 Interlock



**T4285G02**  
INTLK Assembly  
F NO Coil



**345460**  
MECH INTLK  
K-3/30



**6951C64G01**  
Interlock Assembly  
WID 1S Left Hand



**M5949H01**  
Latch  
B2 INTIK C1



**R7483H09**  
Bracket for Type "F" Freight  
Door Interlock  
7" L X 1 <sup>1</sup>/<sub>8</sub>" W



**5212D87G07**  
INTLK/DRV  
BLK E5A 2SRH E1 ENT



**7263C76G02**  
Interlock CONV Kit  
PRE 84 E5A TP E5B



**R8029G03**  
Release Bar Assembly  
8.18"L for B2 C.O.  
Interlock



**R8521G02**  
Lever & Plate  
F-INTLK



**811C985H05**  
Electric Interlock Kit  
#5M65



**7028C88G02**  
Interlock Conversion Kit  
E5B to E5A Left Hand



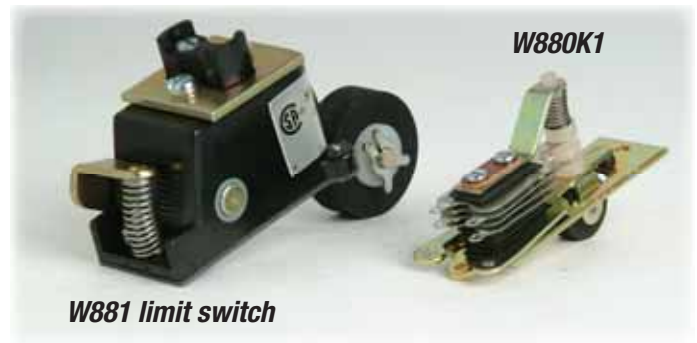
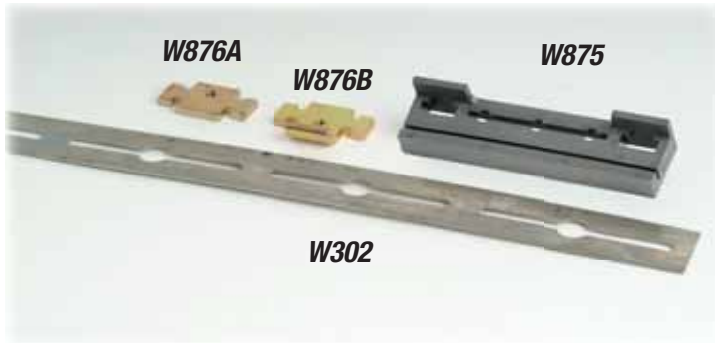
**R8403G03**  
Release Bar  
10.5L B2 INTLK CO



**576B710H01**  
Shaft for Side Roller  
(627D989G03 RGS ASSY)

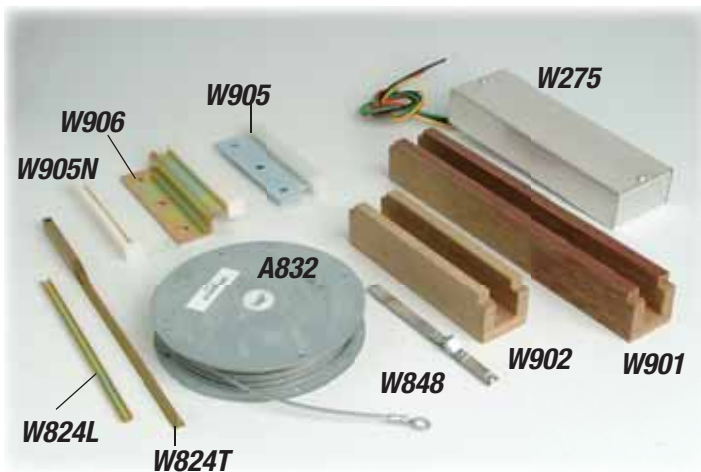


**146A988H01**  
Shaft for Face Roller  
(627D989G03 RGS ASSY)



SELECTOR TAPE & ACCESSORIES		
Adams part no.	Description	Westinghouse part no.
<b>W302</b>	Stainless steel hatchway selector tape, 1"W x 0.032" thick; specify length when ordering	569A699H01
<b>W875</b>	Nylatron tape guide for W302 selector tape	145A110H01
<b>W876A</b>	Short clip for W875 tape guide	145A111H01
<b>W876B</b>	Long clip w/radius bend for W875 tape guide	145A111H02

TYPE E LANDING SWITCHES & TYPE E LIMIT SWITCH		
Adams part no.	Description	Westinghouse part no.
<b>W880K1</b>	1 Make/1 Break (1NO/1NC)	324C969G04
<b>W880K2</b>	2 Make (2NO)	324C969G03
<b>W880K3</b>	1 Make (1NO)	324C969G06, G01
<b>W880K4</b>	1 Break (1NC)	324C969G08, G02
<b>W880K5</b>	2 Break (2NC)	324C969G07, G05
<b>W881</b>	Hatch limit switch (NC)	321C201G01
<b>321C201G11</b>	Hatch limit switch (NO)	



MISC. COMPONENTS		
Adams part no.	Description	Westinghouse part no.
<b>W824L</b>	"Lunar" hatch door key, 6"L; 1/8" radius O.D.	569A884H01
<b>W824T</b>	"T" hatch door key, 9"L x 1/4" x 1/4"	M3550-5, G05
<b>A831</b>	Heavy-duty spirator, 5" dia. w/universal mount	215B951H01
<b>A832</b>	Standard-duty spirator, 5" dia. w/nylon runner	—
<b>W832</b>	Standard-duty spirator, 6" dia. w/nylon runner	576B615H01
<b>A831B</b>	Spirator mounting bracket for all models	
<b>W848</b>	Movable contact for power door operator, 4 1/2"L; used on E4 & E4A limit switches	K3802G01
<b>W849</b>	Stationary contact for S & MS door operators; MAKES with <b>W848</b>	144A560G01
<b>W275</b>	Inductor switch, complete	T4483G19
<b>W901</b>	Main rail gib, micarta; 9 1/4"L x 1 3/8"W x 1 5/16"H; 1"-deep slot	T96113
<b>W902</b>	Counterweight gib, micarta; 5 1/4"L x 1 3/8"W x 1 5/16"H; 0.925"-deep slot	T96111
<b>W903</b>	Door Gib Bracket with 1/2" offset, 3.5" L.	
<b>W905</b>	Door gib (4"L x 1 1/2"H) w/nylon runner	
<b>W906</b>	Door gib (4"L x 1 7/8"H) with 5/8" offset for 1 1/4" door; incl. nylon runner	
<b>W905N</b>	Replacement nylon runner for <b>W905</b> & <b>W906</b> ; 4"L x 7/16" x 1/2"	146A746H01
<b>7360Z</b>	Escutcheon Lunar Key Chrome 1" dia	
<b>7361Z</b>	Escutcheon Lunar Key Small T	
<b>2845C49G01</b>	Escutcheon Lunar Key Stainless Steel	
<b>2845C49H01</b>	Escutcheon Lunar Key Bronze	



# KE Terminal Limit Switch

The Electronic Upgrade for Obsolete Mechanical Switches

## How It Works

A magnetically activated cartop-mounted switch array is teamed with rail-mounted actuating magnets to provide consistent bi-directional signals that bring out the best in today's microprocessor-based controls.

## Maintenance Free

KE Terminal Limit Switches are reliable, accurate and require no maintenance. Break free from bulky and noisy mechanical cams and switches and the maintenance they require.

## Advantages

- Cartop mounting eliminates hoistway rewiring by using available traveling cable conductors
- Straightforward installation on cartop
- Non-contact, noiseless operation—silent inside the car, even on the cartop!
- Rugged, durable switch technology was developed to sense high-speed bullet train position
- Consistent activation fight after fight, year after year
- Set & Forget design requires no adjustment or maintenance once installed
- Better price point than competitive magnetic switches

## Many Uses

- Normal terminal slowdown device
- Emergency terminal stopping device
- Speed-limiting device
- Access limit switch
- Earthquake car-to-counterweight switch
- Not for final limits, which must be mechanical per code



## HOW TO ORDER

### KE8

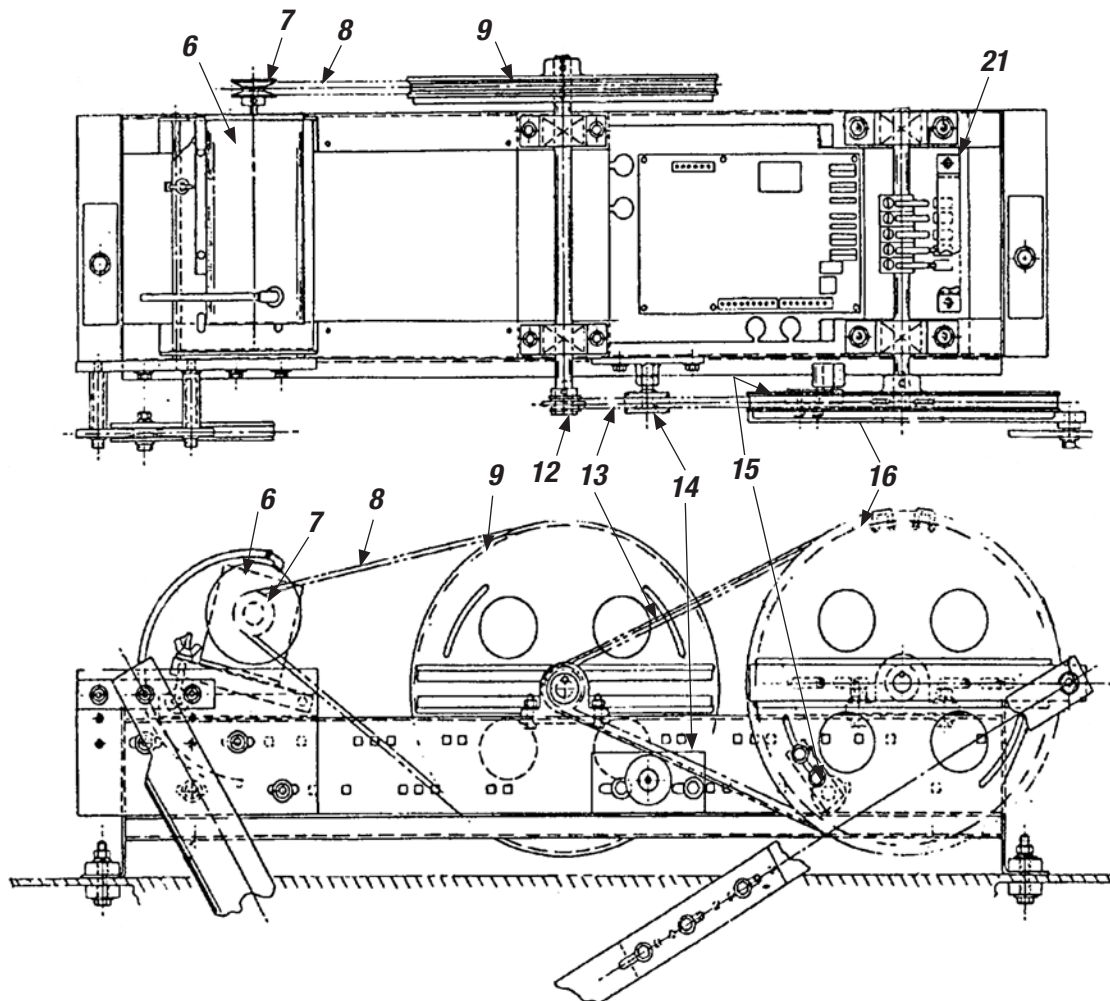
Car speed: 0 fpm to 350 fpm  
Eight switches, eight lanes

### KE14

Car speed: 350 fpm to 1400 fpm  
14 switches, 14 lanes



### QKS 14 & QKS 15 Door Operators



QKS 14 & QKS 15 DOOR OPERATORS			
Key No.	QKS 14	QKS 15	Description
6A	692B863G01 [1,9]	7283C05H01 [2]	MOTOR PM (FLANGED MTD) D008
6B	7285C56H01 [1]		MOTOR PM (FOOT MTD) E675
7	5203D66H08	5203D67H08	PULLEY ASSEMBLY
8	5207D42H46	5207D42H46	V-BELT, 4L550
9	5203D66H10	5203D67H10	PULLEY WHEEL ASSEMBLY
12	5203D66H14	5203D67H14	CHAIN SPROCKET ASSEMBLY
13	5203D66H15	5203D67H15	CHAIN
14	5203D66H16	5203D67H16	CHAIN TENSION ASSEMBLY
15	5203D66H17	5203D67H17	STOP ROLLER ASSEMBLY
16	5203D66H18	5203D67H18	CHAIN WHEEL ASSEMBLY
21A	5203D66H24	5203D67H24	LIMIT SWITCH ASSEMBLY, STD

[1] THIS IS A 1/6 HP 1150 RPM PERMANENT MAGNET MOTOR

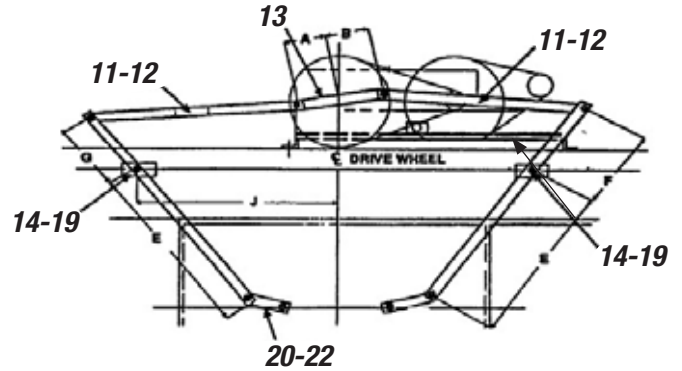
[2] THIS IS A 1/3 HP 1750 RPM PERMANENT MAGNET MOTOR

[9] USED ON EARLY GENERATION OF QKS-14 WHERE THE ADAPTER PLATE WAS PROVIDED TO ACCEPT A FLANGED MOUNTED MOTOR



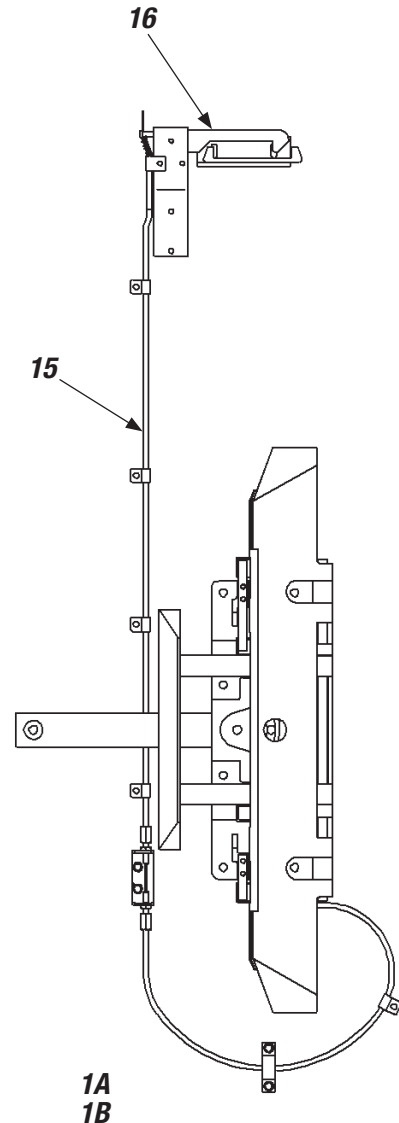
### Door Arm Assembly

QKS 14 & QKS 15 DOOR OPERATORS			
Key No.	QKS 14	QKS 15	Description
11	5203D66H25	5203D67H25	UPPER "C" LINK ASSEMBLY
12	5203D66H26	5203D67H26	UPPER "C" LINK ASSEMBLY
13	5203D66H27	5203D67H27	A&B ARM ASSB SSCO
14	5203D66H31	5203D67H31	PIVOT BRACKET ASSEMBLY
19	895-1056	1000-1056	PIVOT BAR
20	5203D66H30	5203D67H30	SLAVE BRACKET
22	895-1061	895-1061	SLAVE DOOR BRACKET

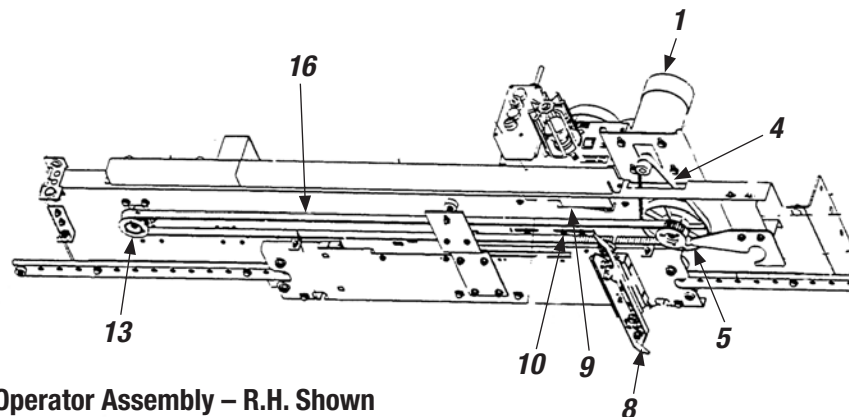


### QKS 14 & QKS 15 Clutch and Restraint Assembly

QKS 14 & QKS 15 DOOR OPERATORS		
Key No.	Part No.	Description
1A	7284C21H02	CLUTCH & RESTRAINT ASSEMBLY QKS-14 (6")
1B	7284C21H08	CLUTCH & RESTRAINT ASSEMBLY QKS-15 (6")
15	7284C21H41	CABLE ASSEMBLY-RELEASE
16	7284C21H35	HOOK ASSEMBLY



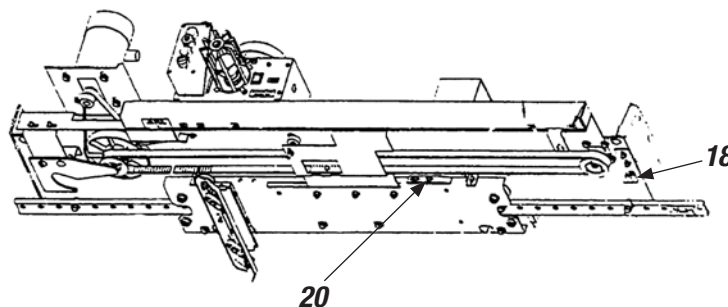
### QKS 16 Door Operator (Pre-Nov. 1998)



Operator Assembly – R.H. Shown

QKS 16 DOOR OPERATORS (PRE-NOV. 1998)		
Key No.	Part No.	Description
1	7283C05H02	MOTOR
4	693B415H01	DRIVE BELT (7 RIBS)
5	7268C48H01	ENCODER PULLEY
8A	7268C26H02	CLUTCH ASSEMBLY LH
8B	7268C26H01	CLUTCH ASSEMBLY RH
9A	7431C95H26	GATE SW, LH
9B	7431C95H10	GATE SW, RH
10	1319B05H01	MAGNET (REED) SWITCH
13	7268C35H01	IDLER PULLEY
16	7268C09H04	TIMING BELT

### QKS 16 Door Operator (Post-Nov. 1998)

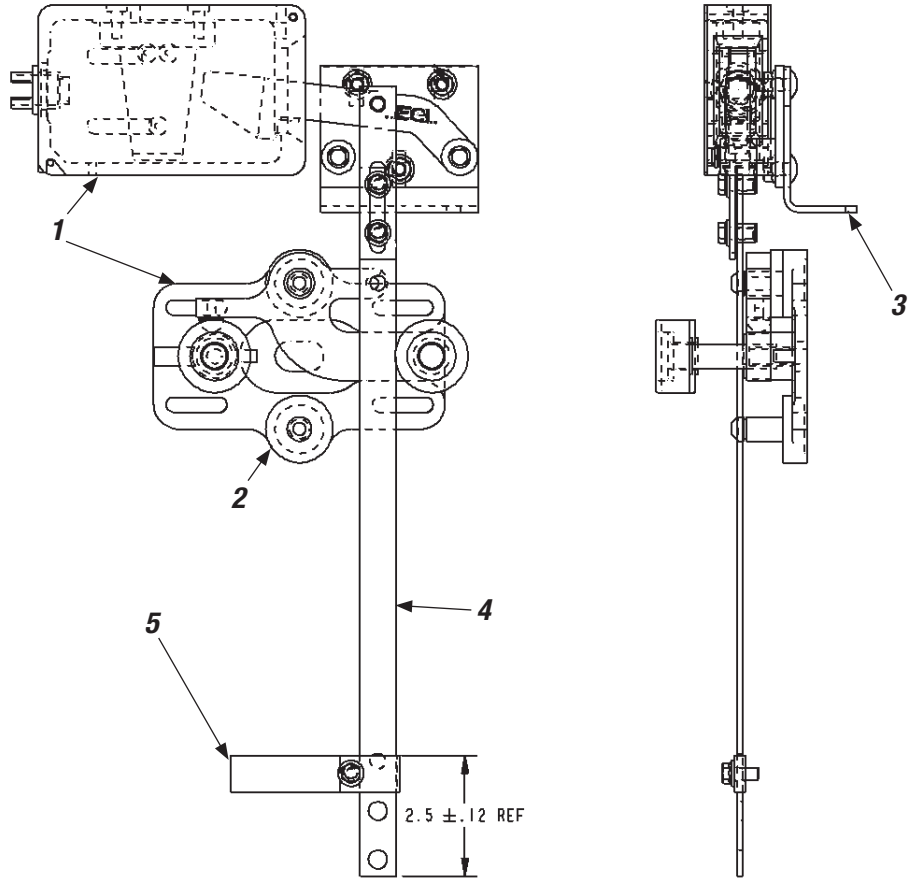


Operator Assembly – L.H. Shown

QKS 16 DOOR OPERATORS (POST-NOV. 1998)		
Key No.	Part No.	Description
18	5065A44H01	BALL PLUNGER
20	693B464H01	DOOR HOLDING CAM

### 321A NDF Interlock (RH Shown)

321A NDF INTERLOCK		
Key No.	Part No.	Description
1	<b>5226D09G01</b>	INTERLOCK ASSY. RH
	<b>5226D09G02</b>	INTERLOCK ASSY. LH
2	<b>1319B09G01</b>	ACTUATOR ASSY. RH
	<b>1319B09G02</b>	ACTUATOR ASSY. LH
3	<b>1319B07H01</b>	ANGLE, BRACKET
4	<b>7269C58G01</b>	LINKAGE ASSY.
5	<b>7433C93G01</b>	LATCH PLATE

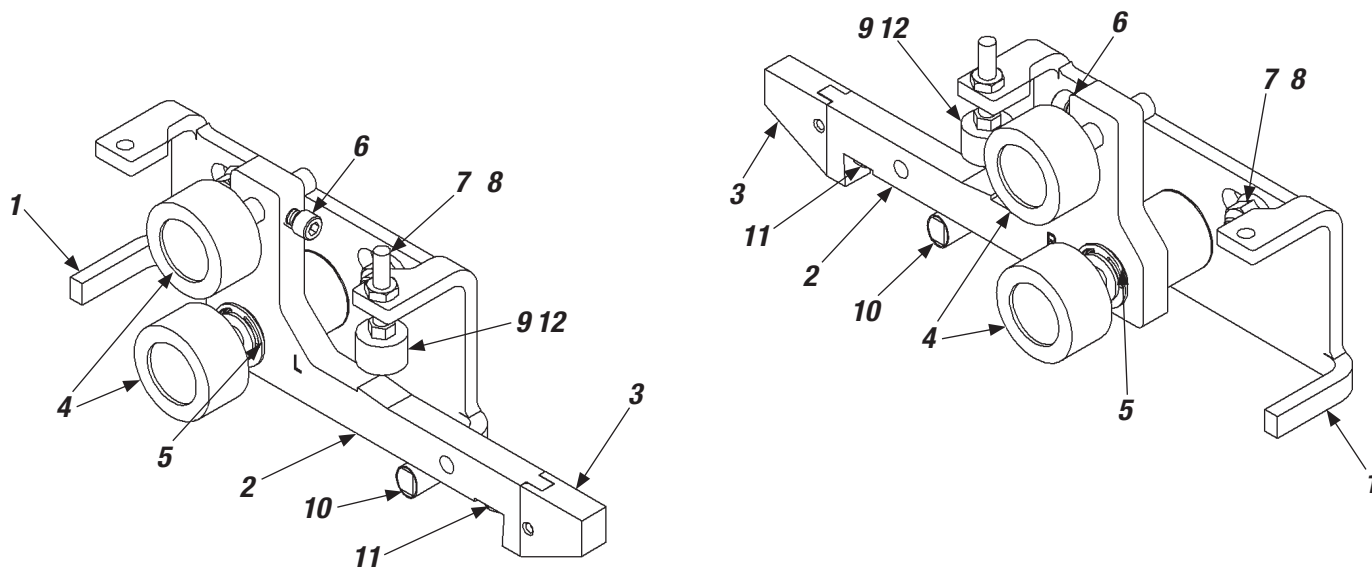


### Westinghouse Relating Cable Kit for HY Operator



Contains 100" of .125 Cable,  
 2 threaded studs with multiple  
 set screws to secure cable,  
 (no crimping necessary).  
 1 Connector stud also included.

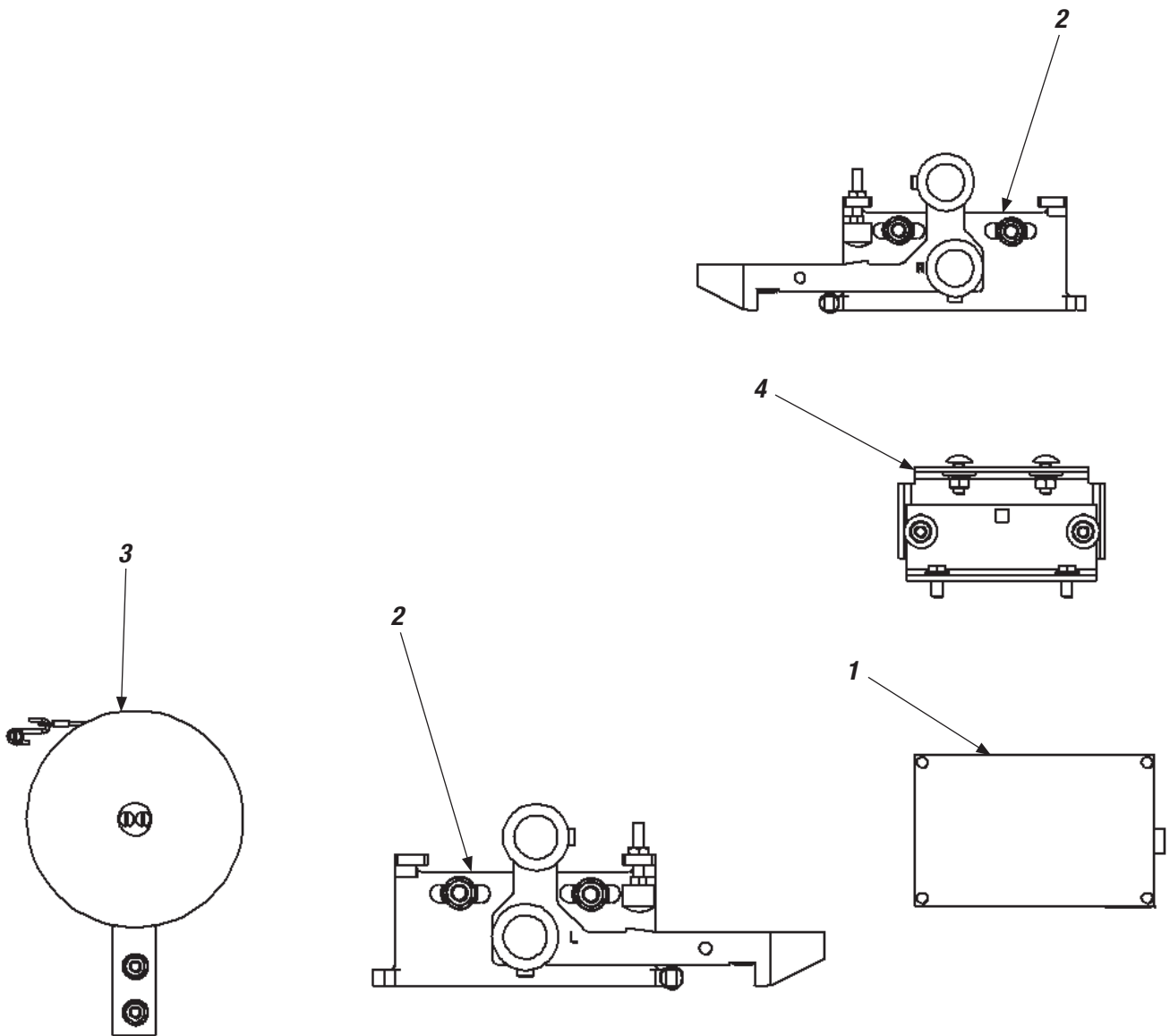
### 330A Hydro Drive Block



#### 330A HYDRO DRIVE BLOCK

Key No.	Part No.	Description
1	<b>7272C17G01</b>	BASE PLATE ASSEMBLY
2	<b>6993C80G01</b>	CONTACT LATCH ASSEMBLY
3	<b>7272C15H01</b>	CONTACT HEAD
4	<b>6993C81H01</b>	DRIVE BLOCK ROLLER
5	<b>5065A47H01</b>	E RETAINING CLIP
6	<b>X5BUS1H04</b>	SELF LOCKING SOCKET HD. CAP SCREW
7	<b>70101AX67E</b>	CARRIAGE BOLT
8	<b>X4TS1H11</b>	HEX FLANGE NUT
9	<b>5062A95H01</b>	BUMPER
10	<b>5062A97H01</b>	STEM BUMPER
11	<b>5062A98H01</b>	LATCH BUMPER
12	<b>70210BCA16</b>	HEX JAMB NUT

### 330A Hydro Entrance Header

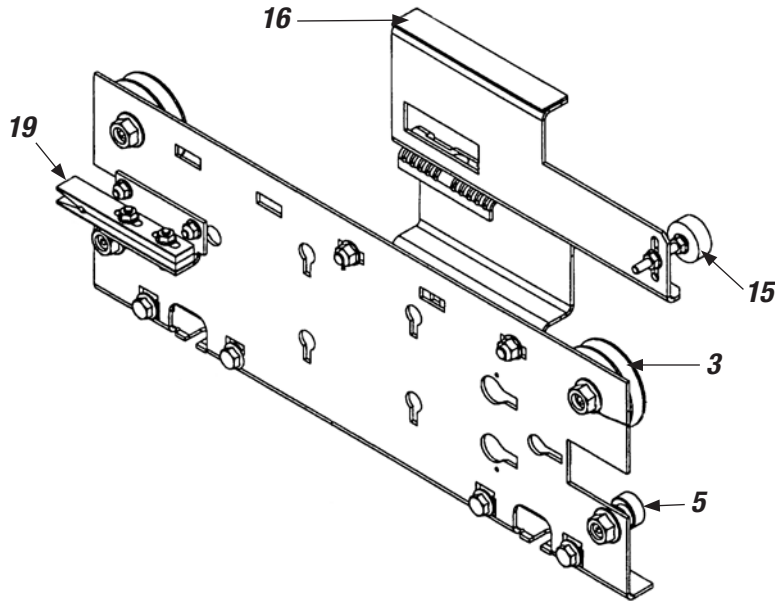


330A HYDRO ENTRANCE HEADER		
Key No.	Part No.	Description
1	5226D09H26	INTERLOCK ASSEMBLY R.H.
	5226D09H15	INTERLOCK ASSEMBLY L.H.
2	6997C32G01	DRIVE BLOCK ASSEMBLY R.H.
	6997C32G02	DRIVE BLOCK ASSEMBLY L.H.
3	7262C37G02	SPIRATOR ASSEMBLY PHASE II
4	6993C54G01	INTERLOCK BRACKET ASSEMBLY



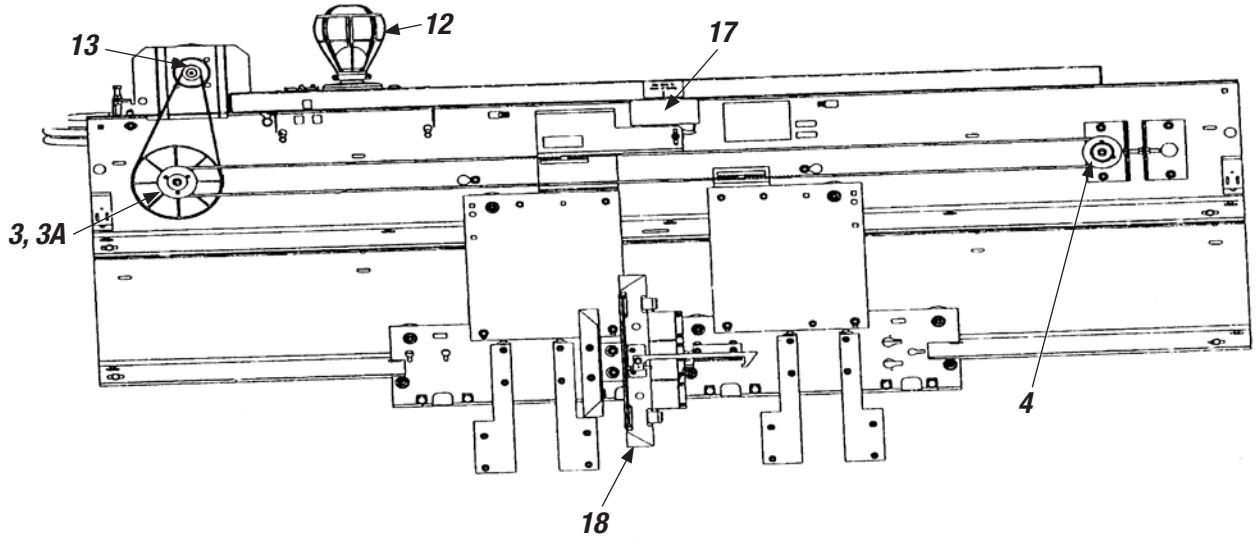
### Hanger Assembly (330A Hydro/400A Traction)

(42" Center Opening)

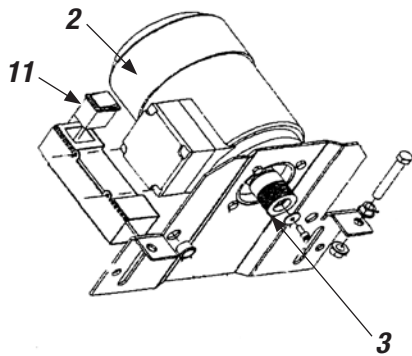


<b>HANGER ASSEMBLY</b>		
Key No.	Part No.	Description
3	<b>W415</b>	ROLLER
5	<b>W408P</b>	UP THRUST ROLLER ASSEMBLY
15	<b>5061A67G01</b>	GATE SWITCH ROLLER ASSEMBLY
15.1	<b>7431C95H15</b>	ROLLER
16 [1]	<b>1319B39H06</b>	MAGNETIC TAPE [2]
19A	<b>693B535H01</b>	LEAF SPRING
19B	<b>693B464H02</b>	DOOR HOLDING CAM

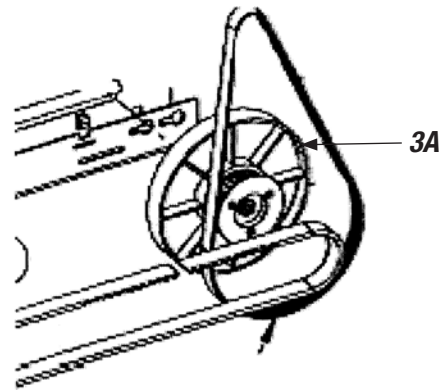
# QKS 16/QKS 16-VF DOOR OPERATOR (330A Hydro/400A Traction) (42" Center Opening)



QKS 16/QKS 16-VF DOOR OPERATOR			
Key No.	Part # QKS-16	Part # QKS-16-VF	Description
3	7268C48G01	—————	ENCODER PULLEY W/O MAGNET
3A	—————	962718 [4]	ENCODER PULLEY W/MAGNET
4	7268C35G01	7268C35G01	IDLER PULLEY
12	6996C12H01	6996C12H22	CAR TOP MAINT. STN., (CTMS) [5]
13	—————	6997C39H01	ENCODER ASSEMBLY
17	7431C95H10	7431C95H10	GATE SWITCH-R.H.
18	8535C72G01 [3]	8535C72G01 [3]	CLUTCH ASSEMBLY-R.H.



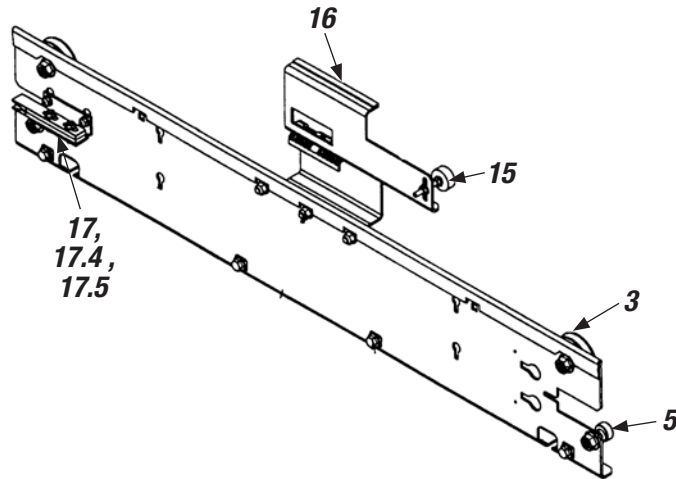
Key No.	Part No.	Description
2	6997C40H01	AC MOTOR [2]
3	693B440H02	DRIVE SHEAVE 1.43 X 1.375 DIA.
11	7257C63H36	DOOR OPEN.CLOSE SW [3]



Key No.	Part No.	Description
3A	962718	ENCODER PULLEY W/MAGNET ASSEMBLY

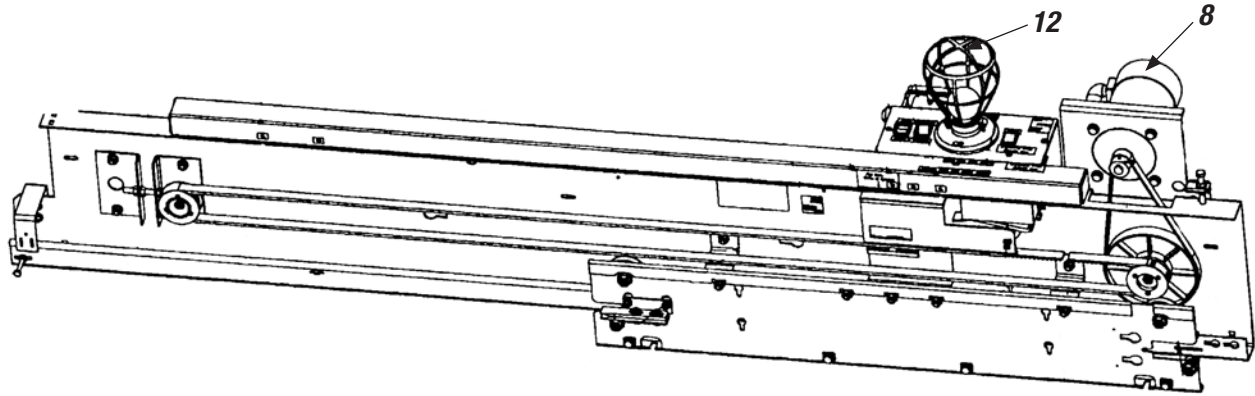
### Hanger Assembly (330A Hydro/400A Traction)

(36" & 42" Side Opening)

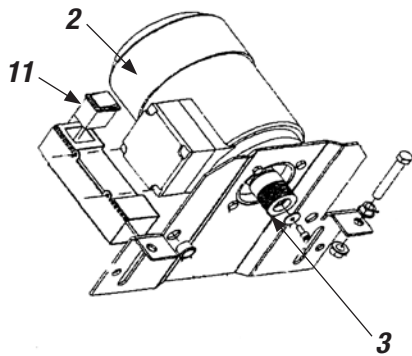


HANGER ASSEMBLY		
Key No.	Part No.	Description
3	<b>W415</b>	ROLLER
5	<b>W408P</b>	UP THRUST ROLLER ASSEMBLY
15	<b>5061A67G01</b>	GATE SWITCH ROLLER ASSEMBLY
15.1	<b>7431C95H15</b>	ROLLER
16	<b>1319B39H06</b>	MAGNETIC TAPE [1], [2]
17	<b>6993C53G03</b>	DOOR HOLDER ASSEMBLY-R.H. [1]
	<b>6993C53G04</b>	DOOR HOLDER ASSEMBLY-L.H. [1]
17.4	<b>693B535H01</b>	LEAF SPRING
17.5	<b>693B464H02</b>	DOOR HOLDING CAM

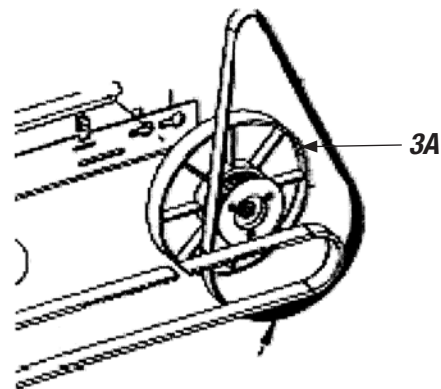
# QKS 16/QKS 16-VF DOOR OPERATOR (330A Hydro/400A Traction) (36" & 42" Side Opening)



QKS 16/QKS 16-VF DOOR OPERATOR			
Key No.	Part # QKS-16	Part # QKS-16-VF	Description
8	7283C05H02	—————	P.M. MOTOR
8A	—————	7278C57 [2]	ACVF MOTOR, SUB ASSEMBLY (L.H.)
12	6996C12H01 [5]	6996C12H22 [5]	CAR TOP MAINT. STN., (CTMS)
13	—————	6997C39H01	ENCODER ASSEMBLY



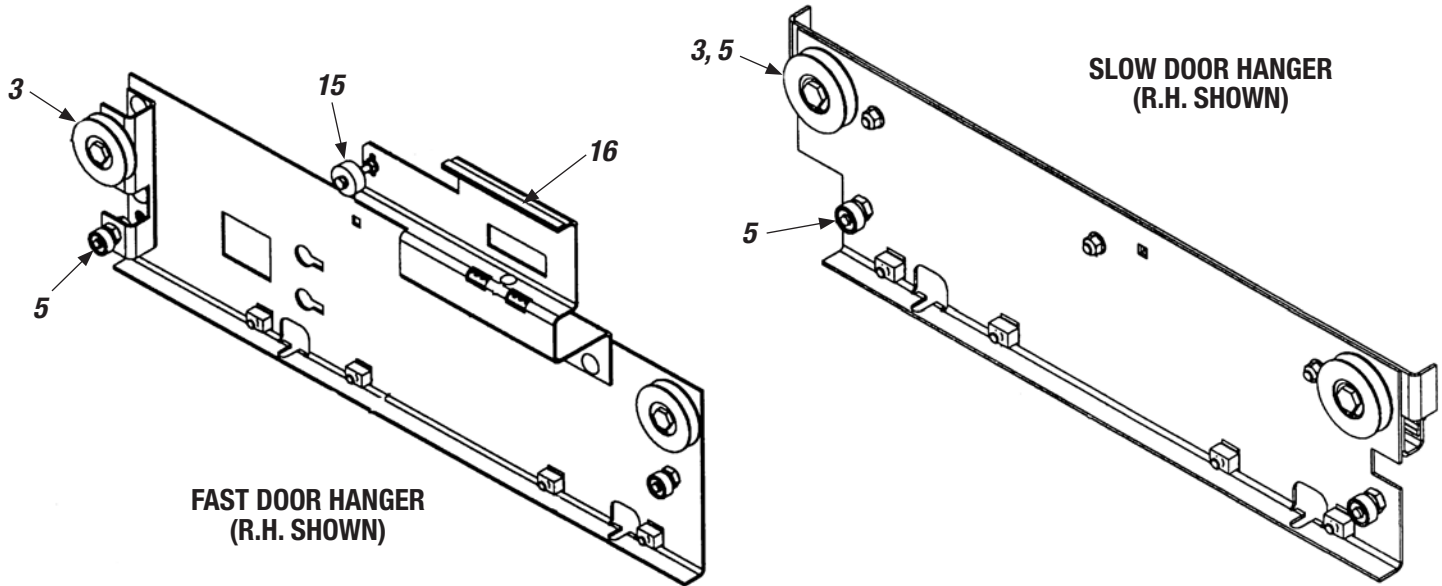
Key No.	Part No.	Description
2	6997C40H01	AC MOTOR [2]
3	693B440H02	DRIVE SHEAVE 1.43 X 1.375 DIA.
11	7257C63H36	DOOR OPEN.CLOSE SW



Key No.	Part No.	Description
3A	962718	ENCODER PULLEY W/MAGNET ASSEMBLY

### Hanger Assembly (330A Hydro/400A Traction)

(48" Side Opening)

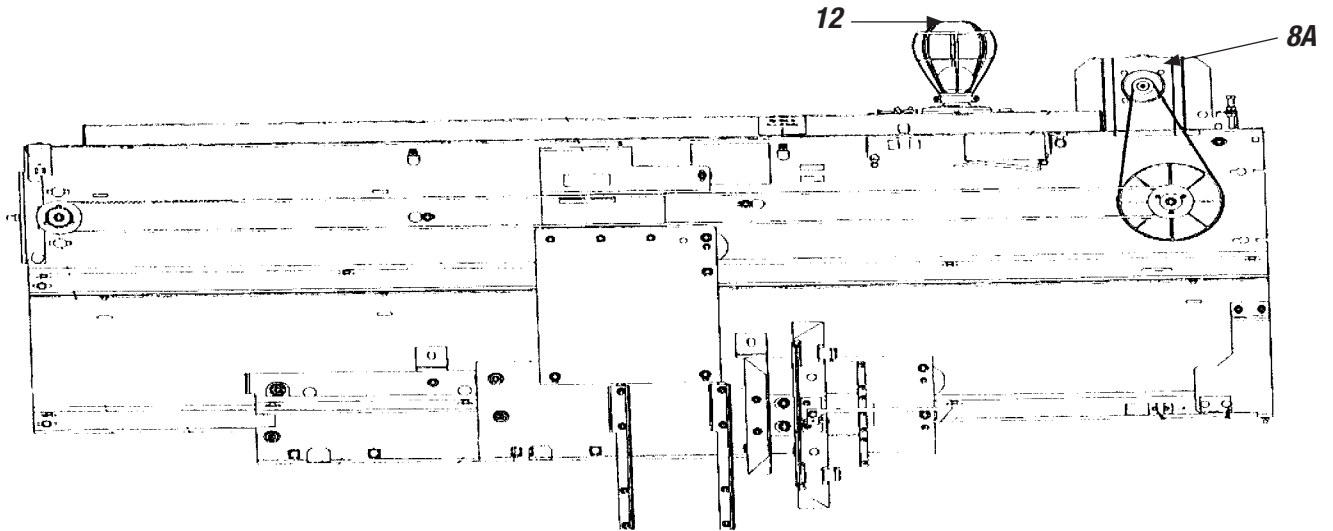


#### FAST DOOR HANGER

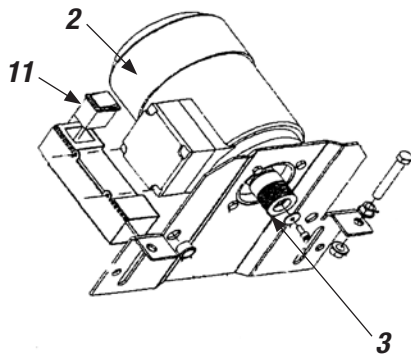
Key No.	Part No.	Description
3	576B535G98	ROLLER ASSEMBLY
5	151B456G01	UP THRUST ROLLER ASSEMBLY
15	5061A67G01	GATE SWITCH ROLLER ASSEMBLY
15.1	7431C95H15	ROLLER
16	1319B39H06	MAGNETIC TAPE [1], [2]



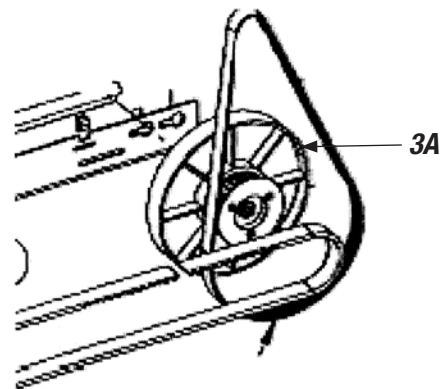
**QKS 16/QKS 16-VF DOOR OPERATOR (330A Hydro/400A Traction)**  
 (48" Side Opening)



QKS 16/QKS 16-VF DOOR OPERATOR			
Key No.	Part # QKS-16	Part # QKS-16-VF	Description
8	7283C05H02	—————	P.M. MOTOR
8A	—————	7278C57G02 [2]	ACVF MOTOR, SUB ASSEMBLY
12	6996C12H01 [5]	6996C12H22 [5]	CAR TOP MAINT. STN., (CTMS)
13	—————	6997C39H01	ENCODER ASSEMBLY

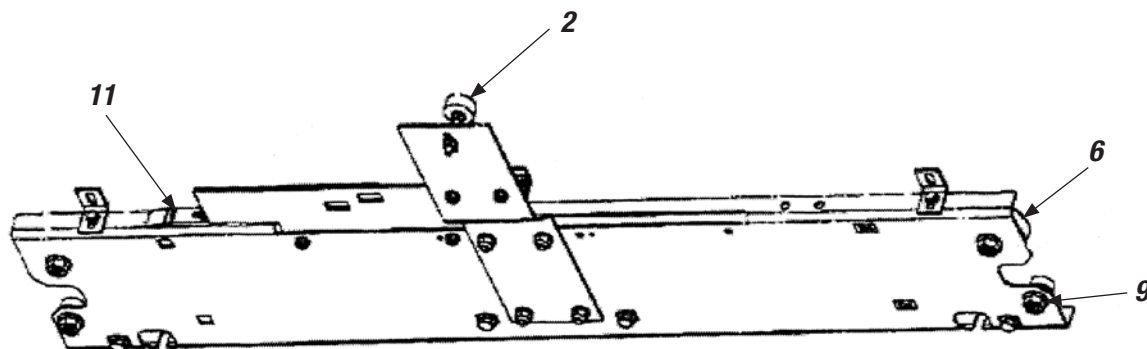


Key No.	Part No.	Description
2	6997C40H01	AC MOTOR [2]
3	693B440H02	DRIVE SHEAVE 1.43 X 1.375 DIA.
11	7257C63H36	DOOR OPEN.CLOSE SW



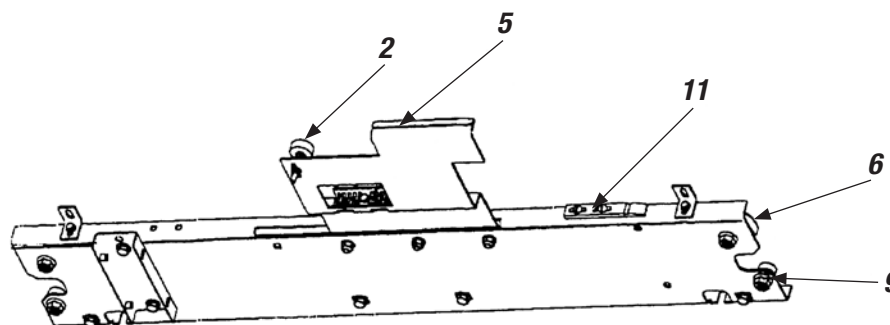
Key No.	Part No.	Description
3A	962718	ENCODER PULLEY W/MAGNET ASSEMBLY

### QKS-16 Hanger Assembly 321A (Pre March 1999)



EARLY GENERATION 321A HANGER ASSEMBLY		
Key No.	Part No.	Description
2	6952C34H01	GATE SW ROLLER
6B	693B460G01	HANGER ROLLER W/HDW
9	693B442G01	UPTHRUST ROLLER
11	693B464H01	DOOR HOLD CAM

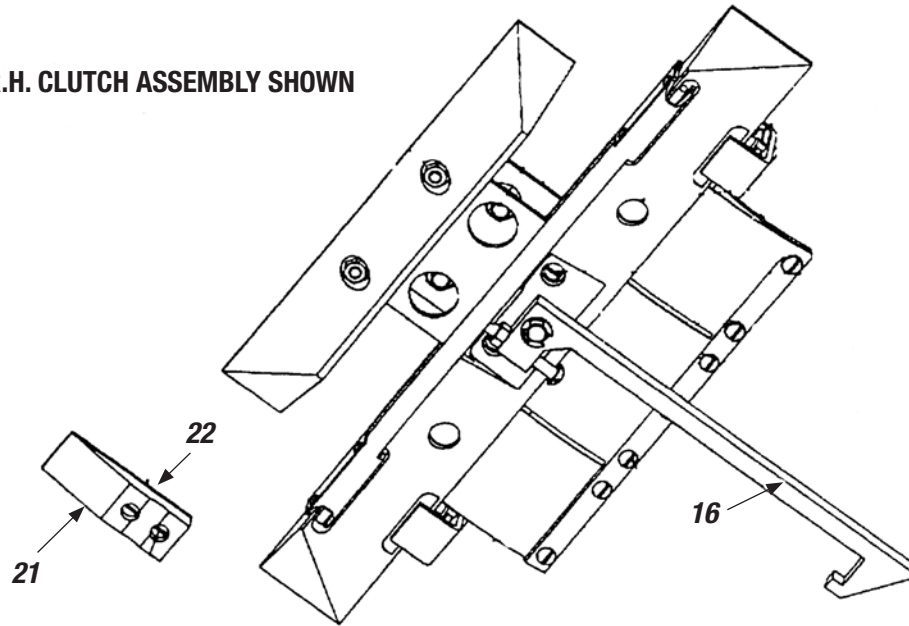
### QKS-16 Hanger Assembly 321A (Post March 1999)



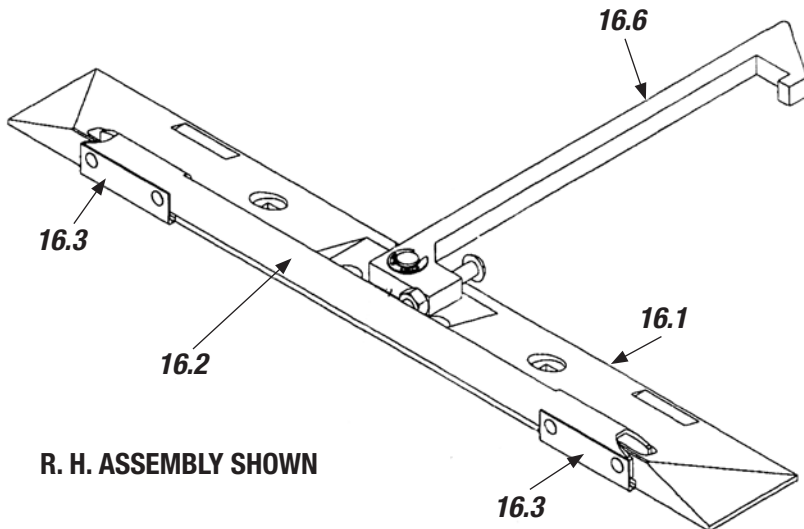
EARLY GENERATION 321A HANGER ASSEMBLY		
Key No.	Part No.	Description
2	6952C34H01	GATE SW ROLLER
5	1319B39H05	MAGNET STRIP 6" L
6	576B535G98	HANGER ROLLER
9	693B442G01	UPTHRUST ROLLER
11	693B464H01	DOOR HOLD CAM

# Clutch and Restraint Assembly (330A Hydro/400A Traction)

R.H. CLUTCH ASSEMBLY SHOWN

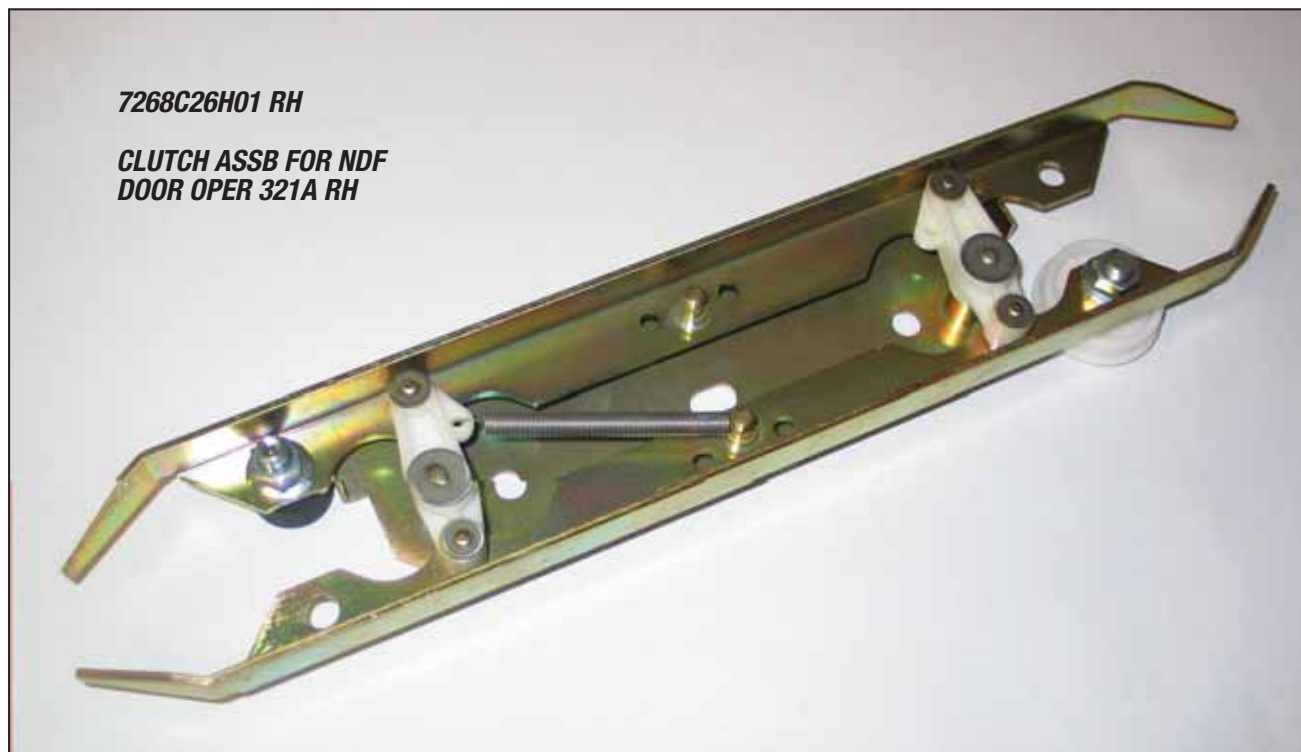


CLUTCH AND RESTRAINT ASSEMBLY		
Key No.	Part No.	Description
A	<b>8535C72G01</b>	RH CLUTCH ASSEMBLY
	<b>8535C72G02 [4]</b>	LH CLUTCH ASSEMBLY
16	<b>8535C67G01</b>	RH OPEN VANE ASSEMBLY
	<b>8535C67G02</b>	LH OPEN VANE ASSEMBLY
21	<b>5065A51H01</b>	RETRACTOR RAMP FOR QKS-16
22	<b>5062A92H01</b>	RAMP SHIM FOR QKS-16
23	<b>8535C70H01</b>	BOOT SPACER FOR QKS-16
24	<b>5062A92H01</b>	RAMP SPACER FOR QKS-16-VF



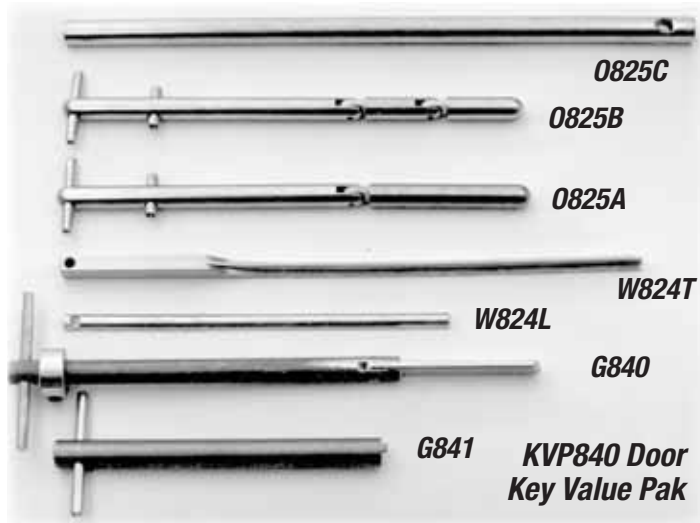
R. H. ASSEMBLY SHOWN

Key No.	Part No.	Description
16.1	<b>8535C69H01</b>	OPEN VANE
16.2	<b>8535C66H01</b>	ACTUATOR PLATE
16.3	<b>5265A52H01</b>	SPRING HINGE
16.6	<b>6994C01G01</b>	LINKAGE ARM ASSEMBLY



# Hoistway Emergency Door Keys

New key Value Pak unlocks the door(s) to efficiency



MISC. COMPONENTS		
Adams part no.	Description	Westinghouse part no.
<b>W824L</b> <b>W824T</b>	"Lunar" hatch door key, 6"L; 1/8" radius I.D. "T" hatch door key, 9"L x 1/4" x 1/4"	569A884H01 M3550-5, G05
<b>KVP840</b>	Door Key Value Pak, with all seven (7) keys pictured at left	

### Door Key Value Pak

Put every door key you'll ever need into your toolbox...and save compared to the cost of buying them individually.

This seven-piece Value Pak includes keys for Dover, GAL, Otis, and Westinghouse. Helps you streamline every service route by equipping each mechanic for the unexpected.

KVP840 Key Value Pak opens doors to increased productivity.



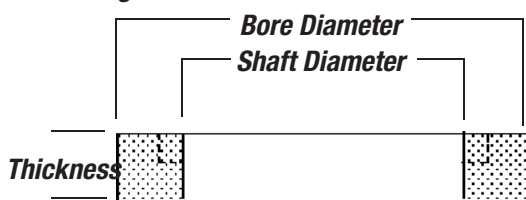
OIL SEALS							
Adams part no.	Dimensions			Machine	Spring*	Material†	Westinghouse part no.
	Shaft dia	Bore dia	Thick				
<b>W870H17†</b> <b>W870H23†</b> <b>W872†</b>	2 <sup>13</sup> / <sub>32</sub> " 2 <sup>1</sup> / <sub>64</sub> " 3 <sup>15</sup> / <sub>64</sub> "	3 <sup>7</sup> / <sub>16</sub> " 3 <sup>11</sup> / <sub>64</sub> " 4 <sup>1</sup> / <sub>4</sub> "	1 <sup>1</sup> / <sub>16</sub> " 1 <sup>1</sup> / <sub>16</sub> " 1 <sup>1</sup> / <sub>16</sub> "	#37, worm shaft #27, worm shaft #57 Hoist machine, #58 old, and #61 worm	G G	Silicone Silicone Rubber	R7311H17 R7311H23 X30E9
<b>W872E12†</b> <b>W872E13†</b> <b>W872E14†</b>	2 <sup>9</sup> / <sub>16</sub> " 1 <sup>3</sup> / <sub>4</sub> " 3 <sup>1</sup> / <sub>4</sub> "	3 <sup>3</sup> / <sub>4</sub> " 3 <sup>3</sup> / <sub>16</sub> " 4 <sup>1</sup> / <sub>2</sub> "	3/8" 1/2" 5/8"	#18, gear center #18, worm shaft #58 new, worm shaft, clipper	F G G	Silicone Silicone Viton	X30E12 X30E13 X30E14
<b>W872E15†</b> <b>W872E16†</b> <b>W872E18†</b>	3 <sup>11</sup> / <sub>16</sub> " 4" 4 <sup>1</sup> / <sub>2</sub> "	4 <sup>3</sup> / <sub>4</sub> " 5" 5 <sup>1</sup> / <sub>2</sub> "	1/2" 1/2" 1/2"	#28, gear ctr./sheave #38 type 534F909, gear ctr. #38 type 198C267, gear ctr..	F F F	Silicone Silicone Silicone	X30E15 X30E16 X30E18
<b>W872E19†</b> <b>W872E20†</b> <b>W872E21†</b>	2 <sup>1</sup> / <sub>2</sub> " 3 <sup>1</sup> / <sub>8</sub> " 3 <sup>1</sup> / <sub>4</sub> "	3 <sup>1</sup> / <sub>2</sub> " 4 <sup>1</sup> / <sub>4</sub> " 4 <sup>1</sup> / <sub>4</sub> "	7/16" 1/2" 1/2"	#28, worm shaft #38 Hoist machine, worm	F F F	Silicone Silicone Silicone	X30E19 X30E20 X30E21
<b>W872E22†</b> <b>W874A8</b> <b>W874A9</b>	3 <sup>1</sup> / <sub>4</sub> " 2 <sup>9</sup> / <sub>32</sub> " 1 <sup>3</sup> / <sub>16</sub> "	4 <sup>1</sup> / <sub>2</sub> " 1 <sup>37</sup> / <sub>64</sub> " 2 <sup>3</sup> / <sub>64</sub> "	1/2" 5/16" 3/8"	Klozure seal Klozure seal	F	Silicone Nytrole Nytrole	X30E22 X30AS1H08 X30AS1H09
Hydraulic Seals							
<b>W873H03</b> <b>W873H05</b> <b>W873H06</b>	4" 4 <sup>1</sup> / <sub>2</sub> " 5 <sup>1</sup> / <sub>2</sub> "	5" 5 <sup>1</sup> / <sub>2</sub> " 6 <sup>1</sup> / <sub>2</sub> "	3/4" 3/4" 3/4"	4.0" Hydraulic Jack 4.5" Hydraulic Jack 5.5" Hydraulic Jack	O O O	Neopren. Neopren. Neopren.	196C145H03 196C145H05 196C145H06
<b>W873H08</b> <b>W873H09</b>	6" 6 <sup>1</sup> / <sub>2</sub> "	7" 7 <sup>1</sup> / <sub>2</sub> "	3/4" 3/4"	6.0" Hydraulic Jack 6.5" Hydraulic Jack	O O	Neopren. Neopren.	196C145H08 196C145H09

\* G=Garter spring, F=Finger spring, O=O-ring

† Split seal

† Neoprene is 90-duro Texanite® neoprene compound w/cotton duck fabric; Klozure seals have steel inserts. Silicone Seals are blue

### Seal Sizing Chart



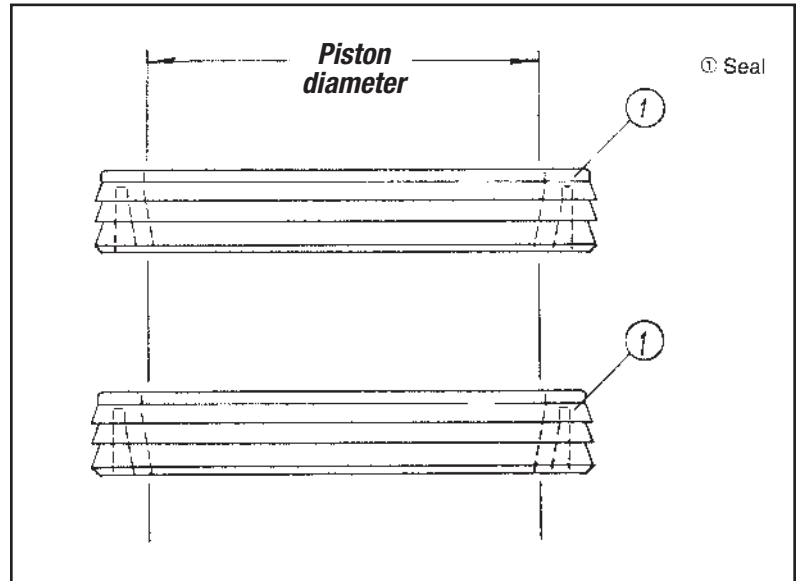


## Hydraulic Packing Kits

Each hydraulic packing kit for Westinghouse consists of:

- Two (2) seals

WESTINGHOUSE	
Adams part no.	Piston diameter
GK03500W	3 1/2"
GK03750W	3 3/4"
GK04000W	4"
GK04500W	4 1/2"
GK05500W	5 1/2"
GK06000W	6"
GK06500W	6 1/2"
GK07000W	7"
GK08000W	8"



## ADAMS REPLACEMENT PACKING FOR WESTINGHOUSE

A patented blend of oil-resistant compounds insures long life without the risk of common "rubber breakdown."

Unique "wavy" split design for quick and easy installation without disconnecting the motor from the geared unit.

Low friction from special baked-on finish prevents shaft scoring and damage from high temperatures.

Additional information about table at right:

- All motors listed as "gear center" are also known as "out-board" or "A" stand.
- Seals described as "sheave" are gear-case-to-sheave seals that are approximately 1/8"-thick rubber.
- Kits include sheave and seals for worm and gear motors.

WESTINGHOUSE PACKING					
Adams part no.	Machine	Dimensions			West. part no.
		Shaft dia.	Bore dia	Thick	
AT1R004 AT1R005	#38 hoist, worm #57 hoist, #58 old, and #61 worm	3.125"	4.250"	.500"	X30ES1H20 X30ES1H09
AT1R006 AT1R007 AT1R022	#37 worm shaft #18 worm shaft #28 gear center	2.438" 1.750" 3.688"	3.438" 3.188" 4.750"	.500" .500" .500"	R7311H17 X30ES1H13 X30ES1H15
AT1R031 AT1R050 AT1R048	#38 gear center, #31 worm #18 gear center #38 gear center*	4.000" 2.563" 4.500"	5.000" 3.750" 5.500"	.688" .500" .500"	R7311H25 X30ES1H12 X30ES1H18
AT1M057 AT1M130 AT1M139	#38 sheave #28 sheave #18 sheave	9.750" 8.125" 6.855"	11.30" 9.250" 8.500"	— — —	2890C79H01 6917C89H01 6918C45H01
AT1K004 AT1K005 AT1K006	#38 sheave kit #28 sheave kit #18 sheave kit	— — —	— — —	— — —	2900C27G02 6917C91G02 6918C44G02

\*AT1R048 is for #38 machines, type 198C267; for type 534F909, order part no. AT1R031.

### MACHINE SEALS

Part No.	Description
7264C45G01	SEAL KIT -- (F JACK) -- 3.50
7264C45G02	SEAL KIT -- (F JACK) -- 3.75
7264C45G03	SEAL KIT -- (F JACK) -- 4.00
7264C45G04	SEAL KIT -- (F JACK) -- 4.50
7264C45G05	SEAL KIT -- (F JACK) -- 5.00
7264C45G06	SEAL KIT -- (F JACK) -- 5.50
7264C45G07	SEAL KIT -- (F JACK) -- 6.00
7264C45G08	SEAL KIT -- (F JACK) -- 6.50
7264C45G09	SEAL KIT -- (F JACK) -- 7.00
7264C45G11	SEAL KIT -- (H JACK) -- 4.00
M3427H01	SEAL - WORM - MACH #35/36
M3427H02	SEAL - WORM - MACH #53/54
M3427H05	SEAL - WORM - MACH #61
M3427H06	SEAL - WORM - MACH #25/26
M3427H07	SEAL - WORM - MACH #81
X30ES1H01	SEAL - SPLIT - #214 SEC SHV JM3774
X30ES1H02	SEAL - SPLIT - #213 SEC SHV JM6700
X30ES1H03	SEAL - SPLIT - #208/212 SEC SHV JM9155
X30ES1H04	SEAL - SPLIT - #205 SEC SHV JM5868
X30ES1H05	SEAL - SPLIT - #28 MACH WORM JM3681
X30ES1H09	SEAL - SPLIT - #58/61 MACH WORM JM14427RPD
X30ES1H10	SEAL - SPLIT - #208 SEC SHV JM9795RPD
X30ES1H12	SEAL - SPLIT - #18 MACH GEAR
X30ES1H13	SEAL - SPLIT - #18 MACH WORM
X30ES1H14	SEAL - SPLIT - #58 MACH WORM JM9272RPD
X30ES1H15	SEAL - SPLIT - #28 MACH GEAR 23X2441
X30ES1H16	SEAL - SPLIT - #38 MACH GEAR 23X4651
X30ES1H17	SEAL - SPLIT - #58 MACH GEAR 23X2915
X30ES1H18	SEAL - SPLIT - #38 MACH GEAR 23X2753
X30ES1H19	SEAL - SPLIT - #28 MACH WORM
X30ES1H20	SEAL - SPLIT - #38 MACH WORM 23X5025



M3427H01



M3427H02



M3999H04



M3999H06



R5027H03



R5027H13



R5027H15

### GASKETS

Part No.	Dimen. (in.) (or application)	Machine
144A524H01	8.88 W X 13.75 L X .125 THK	38
144A989H01	8.18 W X 11.00 L X .125 THK	28
195C574H01	5.88 W X 7.50 L X .125 THK	18
195C574H02	4.00 W X 5.00 L X .062 THK	18
195C574H04	HOUSING GASKET	18
195C574H06	4.75 W X 6.88 L .125 THK	18
215B690H01	GEAR HOUSING GASKET	38
215B755H01	9.25 O.D. X 7.03 I.D. X .01 THK	38
216B129H01	GEAR HOUSING GASKET	28
630B301H01	THRUST BEARING END - 0.01 THK	18
630B301H05	THRUST BEARING END - 0.125 THK	18
682A092H01	FRONT BEARING, WORM SHAFT	18
M32427H05	9.50 ID X .010 THK	61
M3999H01	12.0 O.D. X 9.50 I.D.	58, 61
M3999H02	8.50 I.D. X .010 THK	53
M3999H03	7.50 I.D. X .010 THK	53
M3999H04	6.00 I.D. X .010 THK	35
M3999H05	5.50 I.D. X .010 THK	25
M3999H06	7.25 I.D. X .010 THK	37
M3999H08	8.12 I.D. X .010 THK	38
R5027H02	9.25 O.D. X 6.63 I.D. X .125 THK	57
R5027H03	4.50 W X 7.00 L X .125 THK	27,28,37,38,58,61,81
R5027H05	7.50 O.D. X 5.15 I.D. X .125 THK	37
R5027H11	9.25 O.D. X 6.63 I.D. X .010 THK	61
R5027H12	10.50 O.D. X 8.00 I.D. X .010 THK	61
R5027H13	9.25 O.D. X 7.00 I.D. X .010 THK	57
R5027H15	8.56 W X 9.75 L X .125 THK	37

**HYDRAULIC VALVES**

Part No.	Description
<b>196C148H03</b>	UV-5AW 1" 110VDC
<b>196C340H03</b>	UC-1A (VIC) 2"/2.5"
<b>196C340H04</b>	UC-4 115 VDC COILS
<b>196C340H06</b>	UC-1A (VIC) 2.5"/2.5"
<b>196C340H08</b>	UC-4 110 VAC COILS
<b>196C340H09</b>	UC-1A (VIC) 2.5"/2.5" 115 VAC COILS
<b>2843C81H01</b>	UV-7W 110 VDC COIL
<b>5405C94H01</b>	SHUTOFF VALVE - 2" (VIC)
<b>5405C94H02</b>	SHUTOFF VALVE - 3" (VIC)
<b>7284C56H01</b>	RUPTURE VALVE 1.5 W/P.P.
<b>7284C56H02</b>	RUPTURE VALVE 2.0 W/P.P.
<b>7284C56H03</b>	RUPTURE VALVE 2.5 W/P.P.



**196C148H03**



**2843C81H01**



**5405C94H01**



**196C340H03**



**196C340H04**



**196C340H06**



**196C340H08**



**7284C56H01**



**7284C56H02**

# Adams ADA-Compliant Button Replacements Can Help Your Westinghouse Elevators *Look* as Good as They *Run*

## HOW TO ORDER WESTINGHOUSE BUTTONS

Select a series number, add W for white, then add the suffix (as shown below) for the character you want.

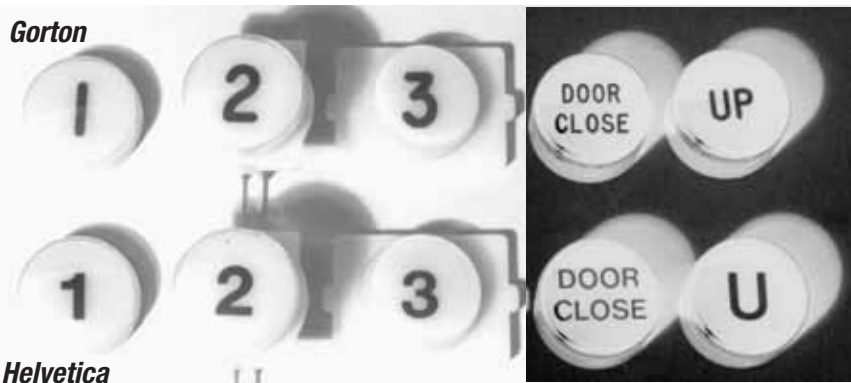
Button series WC456W 3  
Color/style WC456W Character 3



*Adams hot stamping gives clean, crisp characters, and uniform appearance throughout each button series*

## CHOOSE GORTON OR HELVETICA CHARACTER STYLES

**Gorton**



**Helvetica**

Match our replacement buttons to the character style on your existing equipment. Hot-stamped Gorton and Helvetica characters are the same style, the same size, and have the same stroke width as the OEM originals.

All standard characters and symbols are available.

Clear non-yellowing Lexan® lens caps are sonic-welded to each button assembly to protect characters from dust, dirt, moisture, normal wear, and abuse.



*Helvetica arrow (left) and Gorton arrow have distinctive styles.*

*Gorton letters have rounded corners and Helvetica letters have sharp corners*

Adams replacements for Westinghouse Type "A" signal equipment match their OEM counterparts exactly. Now you can restore worn hall and cab panels to like-new condition...retain the characteristic Westinghouse look and operating features...and meet ADA requirements.

All position indicator, car panel, and hall equipment components install the same as OEM parts. Mounting patterns, character style, operating characteristics...all of these match OEM specifications.

Please specify character for each lens.

Button diameter with cap = 1.112" to 1.115".

POSITION INDICATOR COMPONENTS			
Key no.	Adams part no.	Description	Westinghouse part no.
2	<b>W454B</b> [-character]	Position indicator lens, white with black Gorton character & clear cap	325C877G series
	<b>W461B</b> [-character]	Position indicator lens, white with black Helvetica character & clear cap	1180C52, 53 series
3	<b>W454BC1</b>	Clear cap for P.I. lens	146A560H05
4	<b>W454D</b>	Ferrule (w/speed nut); high-impact Lexan®	569A920H01 X4S2
5	<b>W454RF1</b>	Reflector funnel for lamp	569A868H01
—	<b>W454W</b>	White P.I. lens without cap	—
6	<b>A480L14</b>	Lamp, 90 volt clear, type 90MB; 10/pkg.	X46AS3H44, X46A45
7	<b>A480L15</b>	Lamp, 120 volt clear, 120MB; 10/pkg.	X46AS2H20

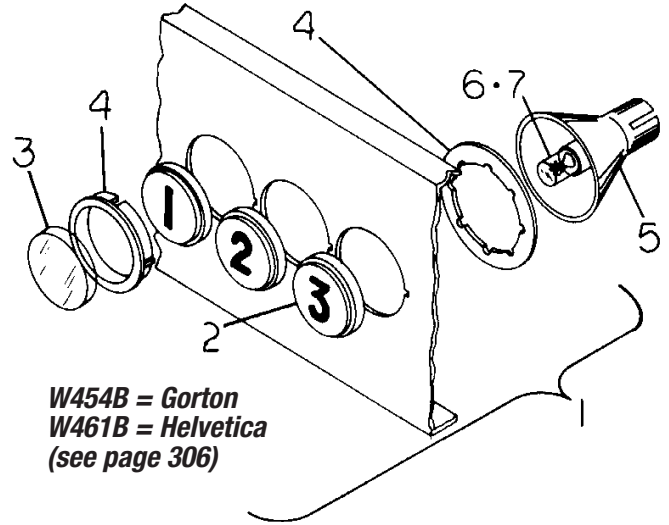
For blank buttons without caps: Order W456W for white button wafer.

Button diameter with cap = 1.112" to 1.115".

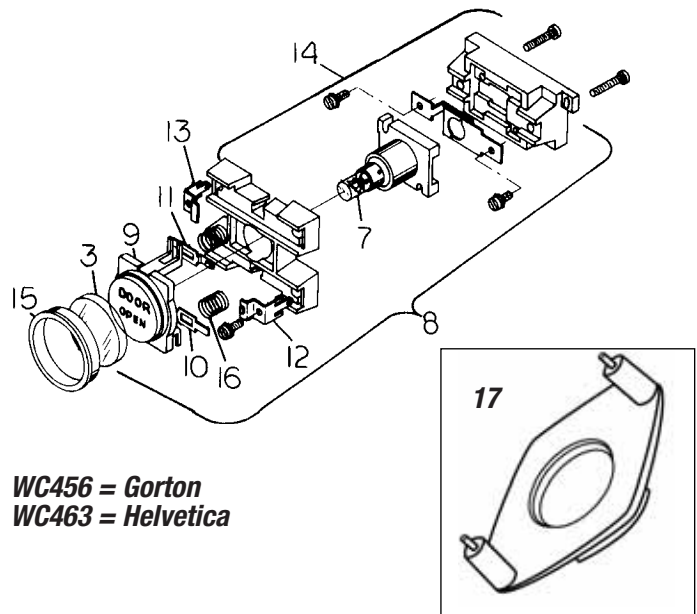
ADA-COMPLIANT CAR PANEL COMPONENTS*			
Key no.	Adams part no.	Description	Westinghouse part no.
8	<b>WC456A1W</b>	Complete switch ass'y., 2NO cont.**	103D251G ser. <sup>1</sup>
8	<b>WC456A2W</b>	Complete switch ass'y., 1NO/1NC**	103D252G ser.
9	<b>WC456Wxx</b> <b>WC463Wxx</b>	White button w/black character, clear cap; specify character**	103D250H ser. 196C921 ser.
10	<b>W456C1</b>	Movable contact bridge, NO	151B439-G01
11	<b>W456C2</b>	Movable contact bridge, NC	151B439-G02
12	<b>W456C3</b>	Stationary contact, NO	—
13	<b>W456C4</b>	Stationary contact, NC	—
14	<b>W456D1</b>	Switch base assembly; includes top and bottom base, lamp holder, lamp contacts	—
15	<b>W456F</b>	Ferrule, with speed nut; high-impact Lexan	151B440H01
17	<b>W456F1</b>	Ferrule	630B562G01
16	<b>W456S1</b>	Compression spring for movable contact bridge, 7/16"L x 5/16"OD	X9J27

\*Non-ADA pushbutton replacements are available as a special order.  
 \*\*Most characters are available. May be a Lead Time on special orders.  
<sup>1</sup>Also 103D250G series.

**W454/461-Series Type "A" Position Indicator**



**W456/463-Series Type "A" Car Switch Assembly**



Adams part no.  
**WC456W-XFH/CC.**  
 A-Line "Call Cancel" button.



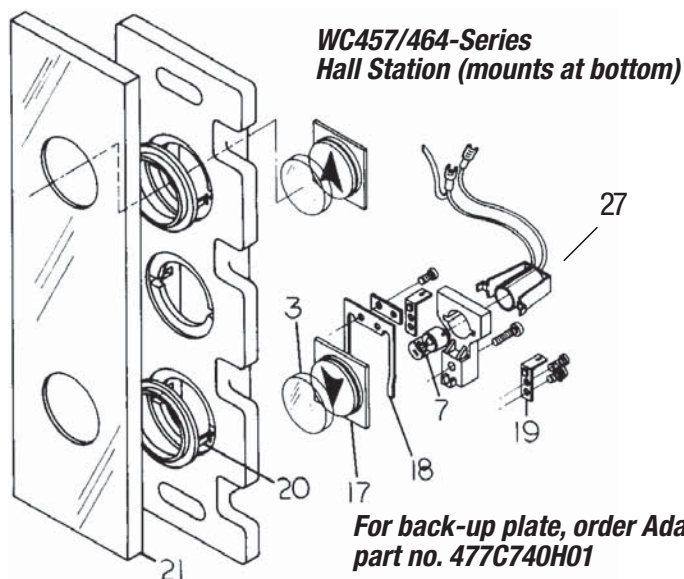
# Type "A" Hall Equipment Components

## Emergency STOP Switch Assembly



**W471A1**

Adams part no. **W471A1**. Push/pull-type emergency STOP switch, 1NO/1NC. Complete assembly replaces Westinghouse part no 325C805G01.



**WC457/464-Series Hall Station (mounts at bottom)**

For back-up plate, order Adams part no. **477C740H01**

### ADA-COMPLIANT HALL STATION COMPONENTS\* (GORTON)

Key no.	Adams part no.	Description	Westinghouse part no.
17	<b>WC457W-A†</b>	White button w/black arrow, clear cap	477C742G-series
17	<b>WC457W-BL†</b>	White button (blank) w/clear cap	477C742G01
17	<b>WC457W-D†</b>	White button w/black DOWN, clear cap	477C742G-series
17	<b>WC457W-U†</b>	White button w/black UP, clear cap	477C742G-series
18	<b>W457C1</b>	Movable contact bridge, NO	151B608G01
19	<b>W457C2</b>	Stationary contact, NO (2 required)	151B616G01
20	<b>W457F</b>	Ferrule, high-impact Lexan®	569A997H01
27	<b>W457X2</b>	Lamp socket with wire leads	886A123H01

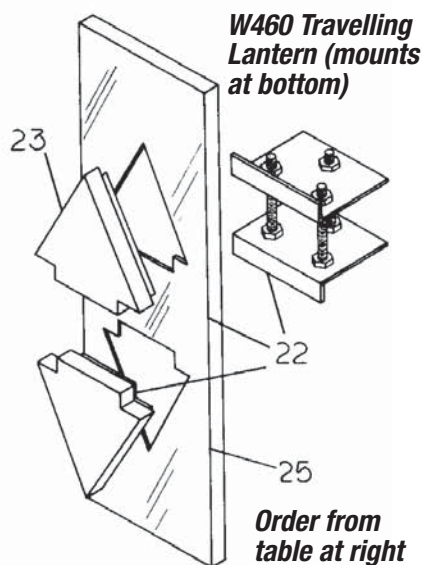
### Hall Station Cover Plates (hole dia. = 1.308")

21	<b>W457CP1</b>	Terminal cover plate only, stainless	477C549G01
21	<b>W457CP2</b>	Intermediate cover plate only, stainless	477C549G02
21	<b>W457CP3</b>	Terminal cover plate only, bronze	—
21	<b>W457CP4</b>	Intermediate cover plate only, bronze	—

\*Non-ADA pushbutton replacements are available upon request.

†477C740H01 Back up plate.

‡Also available in Helvetica type style. Order WC464-series for Helvetica.



**W460 Travelling Lantern (mounts at bottom)**

Order from table at right

### LANTERN ASSEMBLY & COMPONENTS

Key no.	Adams part no.	Description	Westinghouse part no.
22	<b>W460</b>	Travelling lantern assembly, complete; 3" x 10" cover plate (stainless), arrows, shields, hardware	T-8474 K-6420-1
23	<b>W460A</b>	Frosted-finish arrow (2 1/2"H), Lexan	—
25	<b>W460P1</b>	3" x 10" travelling lantern cover plate only, stainless	H-1856
25	<b>W460P2</b>	4 1/4" x 12 1/4" travel. lantern cover plate only, stainless	—

Uses A490L2 lamp



### LOCK WITH CAM

Lock with cam is used to latch service cabinets and for other locking applications inside the COP.

Cam dimensions are  $1\frac{5}{8}$ " L x  $\frac{3}{4}$ " W.

Illinois Lock key number is F359.

Order Adams part no. W468S1. Replaces Westinghouse part no. 569A925G01.

See more service cabinet locks in the Adams Fixtures section of this catalog. Key Part # F359

Lexan—Reg. TM General Electric Company  
Survivor—Reg. TM Adams Elevator Equipment Company

## SURVIVOR® REPLACEMENTS FOR WESTINGHOUSE HALL STATIONS

Two replacements for Westinghouse Type "A" hall stations include all the parts you need in one convenient unit. Includes two (2) 8-32x1" oval-head Phillips mounting screws.

Now you no longer need to buy and replace Westinghouse plastic back-up plates. Our complete replacement assemblies give you Survivor reliability in a fully-compatible unit.

An added advantage of having our Survivor pushbutton assemblies in your hall stations is that they accept our LED lamps. LED's last far longer than incandescents ...and even longer than neon.

Adams part no. W457A1. Replacement terminal hall station, stainless; complete with one Survivor pushbutton switch assembly.

Adams part no. W457A2. Replacement intermediate hall station, stainless; complete with two Survivor pushbutton switches.

### Complete hall station replacements feature Survivor® pushbuttons



### "HIGH-HAT" BUTTONS

These  $\frac{5}{8}$ "-tall buttons ( $1\frac{1}{8}$ " dia.) are found in many older Westinghouse elevators. Replace Westinghouse part nos. 5207D59G01 and 381D038H01.

W466W-char. for white button with Gorton-style character.

W465W-char. for white button with Helvetica-style character.

**NOTE:** If you use a W470K1 STOP switch in a Type E installation with toggle, you may need to grind into the retaining bolts to secure a proper fit.



WESTINGHOUSE TYPE "E" KEYED STOP SWITCH ASME A17.1, 210.2(v), 1990 requires keyed stop switches in new passenger elevators where STOP switches are specified. Our Westinghouse complete keyed switch meets this requirement with great attention to detail.

Great for replacements as well: Conventional push/pull STOP switches give vandals a chance to leave elevators stranded, criminals time to stop between floors to rob tenants, and passengers the ability to interrupt elevator operation unintentionally by leaning against the panel.

Order Adams part number W470K1.

2638C89G01



### WESTINGHOUSE AE LINE

#### Backplate Assembly

1.75"w x 9.12"h

Buttons Round, White w/Black character

Voltage 120V Neon

Adams part no.	Description
2638C89G01	Terminal Up
2638C89G02	Intermediate Up /Down
2638C89G03	Terminal Down
2638C89G07	Blank Button
2638C89G08	Intermediate Up/ Down & Blank Button

### WESTINGHOUSE AE LINE

#### Faceplate

Stainless Steel # 4 Brushed

Vertical Grain

3.25"w x 10.50"h

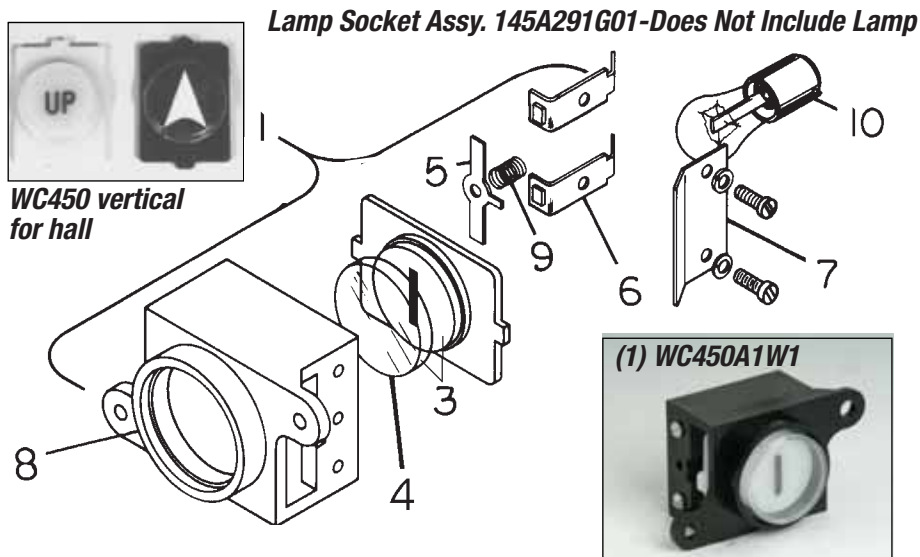
Mounting Holes 8.50" cc

Finished Edges



198C582G01

Adams part no.	Description	Material	Finish
198C582G01	1-Hole Terminal	SS	#4
198C582G02	2-Hole Intermediate	SS	#4
198C582G03	3-Hole	SS	#4
198C582G04	1-Hole Terminal	BRZ	#4
198C582G05	2-Hole Intermediate	BRZ	#4
198C582G07	2-Hole Intermediate	BRZ	#8



## Type "E" Pushbuttons/Assemblies

### ADA-COMPLIANT TYPE "E" PUSHBUTTON ASSEMBLIES\* (COMPLETE, FIG. 1)

Adams part no.	Description
WC450A1W[character]	Black (B) or white (W) button; 1/NO
WC450A2W[character]	Black (B) or white (W) button; 1/NC
WC450A3W[character]	Black (B) or white (W) button; 2/NO
WC450A4W[character]	Black (B) or white (W) button; 2/NC
WC450A5W[character]	Black (B) or white (W) button; 1NO/1NC

\*Non-ADA available upon request.

\*\*Black buttons are special order only

### BUTTONS FOR TYPE "E" PUSHBUTTON ASSEMBLIES (FIG. 3)\*

Adams part no.	Description
WC450W[char]*	White button with black character, clear cap; Gorton
WC450B-[char]**	Black button with white character, clear cap; Gorton
WC450BC1	Clear cap only (fig. 4); (W) no. 146A560H04

\*Button diameter w/cap = 1.110" to 1.113". NOTE: -A, -DO, -DC, -U, -D characters are vertical mount.

### CONTACTS FOR PUSHBUTTON ASSEMBLIES

Adams part no.	Fig.	Description	Westinghouse part no.
W450C1	5	Movable contact bridge, NO	145A395G01
W450C2	5	Movable contact bridge, NC	145A395G02
W450C3	6	Stationary contact, NO	145A390G02
W450C4	6	Stationary contact, NC	145A390G01
W450K1	—	60-pc. contact kit, MAKE; incl. 10 ea. W450C1, 20 ea. W450C3, 10 ea. W450C5 bracket, 10 pcs. W450S1 compression spring, 10 pcs. #4-40 x 3/8" L slotted round-head screws	
W450K2	—	60-pc. contact kit, BREAK; incl. 10 ea. W450C2, 20 ea. W450C4, 10 ea. W450C5 bracket, 10 pcs. W450S1 compression spring, 10 pcs. #4-40 x 3/8" L slotted round-head screws	

FOR HELVETICA: ORDER WC462W/B[CHAR];  
W FOR WHITE, B FOR BLACK



NEW E-Line "Call Cancel/Fire Service" button performs two functions in one...and lets you eliminate a punch in your COP.  
Part no. WC450W-XFH/CC.

### TYPE "E" SWITCHES

Adams part no.	Description	Westinghouse part no.
W470A1	Emergency STOP/RUN switch, complete; 2 contacts, 1NO/1NC; see photo, top right	576B294G03
W470A2	Switch assembly with DOOR HOLD; not shown	576B294G05

### REPLACEMENT PUSHBUTTON COMPONENTS

Adams part no.	Description	Westinghouse part no.
W451C1	Bridge contact	K-6549-1
W458	Plastic 1-piece pushbutton, 1" dia.; 1 7/8" overall length	K-6453-1
W450C5	Pivot hinge bracket (fig. 7)	145A391G01
W450D1	Pushbutton base (fig. 8)	216B298H01
W450S1	Compression spring for movable contact, 2 1/32" overall length, 1/8" dia. (fig. 9)	X9J20

### 250VAC LAMPS FOR TYPE "E" PUSHBUTTONS (TYPE 10S6/250VDC, FIG. 10)

Adams part no.	Lamp color	Westinghouse part no.
A484L4	Clear, 10/pkg.	X46AS1H05, H26
A484L5	Red, 10/pkg.	X46AS1H06, H27
A484L6	Green, 10/pkg.	X46AS1H07, H28
A484L7	Yellow, 10/pkg.	X46AS1H08, H29



# Position Indicator Lenses, "Pop-In" Style



## "POP-IN" P.I. LENSES

Replacement "pop-in" position indicator lenses are removed easily with our handy W459T lens removal tool, shown above.

Choose Gorton (W459G-series) or Helvetica (W459H-series). Order characters from table below. One black ferrule (W459F) required for each lens; order separately. Lens cap is included. (W459G-series replaces Westinghouse series 5213D27; W459H-series, 5213D26.)

Need a blank P.I. lens? Order part no. W459H-BL.

W454BC1. Clear cap only (as shown attached to lenses).

W459L. Lamp socket. Order one (1) for each lens. Use Adams miniature bayonet lamps A480L14 and A480L15, sold separately. Westinghouse 630B462H01.

W459T. P.I. lens extractor tool. Suction gripper makes short work out of removing lenses from the front. Eliminates time-consuming disassembly and reassembly of P.I. units. (Works best if lenses are dry and clean.) Replaces Westinghouse part no. 865A096H01.

W459F. Black ferrule with speed nut. Order one (1) for each lens. Replaces Westinghouse part no. 196C557H01.

W459W. P.I. lens without cap, white.

### "POP-IN" LENS ORDERING INFORMATION (GORTON & HELVETICA)

Adams part no.		Symbol	Adams part no.		Symbol	Adams part no.		Symbol	Adams part no.		Symbol
Gorton	Helvetica		Gorton	Helvetica		Gorton	Helvetica		Gorton	Helvetica	
W459G-A	W459H-A	Arrow	W459G-G	W459H-G	G	W459G-5	W459H-5	#5	W459G-20	W459H-20	#20
W459G-B	W459H-B	B	W459G-G1	W459H-G1	G1	W459G-6	W459H-6	#6	W459G-21	W459H-21	#21
W459G-B1	W459H-B1	B1	W459G-G2	W459H-G2	G2	W459G-7	W459H-7	#7	W459G-22	W459H-22	#22
W459G-B2	W459H-B2	B2	W459G-G3	W459H-G3	G3	W459G-8	W459H-8	#8	W459G-23	W459H-23	#23
W459G-B3	W459H-B3	B3	W459G-L	W459H-L	L	W459G-9	W459H-9	#9	W459G-24	W459H-24	#24
W459G-D	W459H-D	D	W459G-LB	W459H-LB	LB	W459G-10	W459H-10	#10	W459G-25	W459H-25	#25
W459G-32	W459H-32	#32	W459G-LL	W459H-LL	LL	W459G-11	W459H-11	#11	W459G-26	W459H-26	#26
W459G-33	W459H-33	#33	W459G-M	W459H-M	M	W459G-12	W459H-12	#12	W459G-27	W459H-27	#27
W459G-34	W459H-34	#34	W459G-P	W459H-P	P	W459G-13	W459H-13	#13	W459G-28	W459H-28	#28
W459G-35	W459H-35	#35	W459G-PH	W459H-PH	PH	W459G-14	W459H-14	#14	W459G-29	W459H-29	#29
W459G-36	W459H-36	#36	W459G-SB	W459H-SB	SB	W459G-15	W459H-15	#15	W459G-30	W459H-30	#30
W459G-37	W459H-37	#37	W459G-1	W459H-1	#1	W459G-16	W459H-16	#16	W459G-31	W459H-31	#31
W459G-38	W459H-38	#38	W459G-2	W459H-2	#2	W459G-17	W459H-17	#17	-	*W459H-41 thru -99	#41-
W459G-39	W459H-39	#39	W459G-3	W459H-3	#3	W459G-18	W459H-18	#18			#99
W459G-40	W459H-40	#40	W459G-4	W459H-4	#4	W459G-19	W459H-19	#19	W459H-BL		Blank P.I.

\*P.I. lens #'s 41 thru 99 available in Helvetica style only.





7656C53H72



7656C53H29



7656C53H60



7656C53H62

CAR STATION BRAILLE PLATES	
Part No.	Marking
5399C11H39	*1 (Star 1)
5399C11H40	*L (Star L)
5399C11H45	Door Close F symbol
5399C11H46	Door Close R symbol
5399C11H85	Alarm Bell symbol
5399C11H86	Door Open symbol
5399C11H87	Door Open F symbol

Tag .82"W x 1.50"H  
 Character .62" H, Gothic Condensed  
 Stud Mounted, SS Character, Black Background.  
 Inquire about other characters



5399C11H  
 Braille Plate Chrome  
 Marking=CHART

CHARACTERS	MOUNTING	BACKGROUND	DIMENSIONS
.625"	Adhesive Backing	Flat Black	1.184"H x 1.00"W

MT, MTA CAR STATION BRAILLE PLATES			
Marking	Part No. SS	Part No. Brz	Part No. White
Alarm	7656C53H60	7656C53H61	8543C52H07
Door Close	7656C53H29	7656C53H30	8543C52H01
Door Open	7656C53H62	7656C53H63	8543C52H08
Stop Run	7656C53H41	7656C53H42	8543C52H05
Phone	7656C53H72	7656C53H73	8543C52H11
* (Star)	7654C63H61	7654C64H61	8543C51H61
*1	6954C71H41	6954C89H41	8543C52H41
*L	6954C71H42	7656C72H42	8543C48H42
*G	6954C71H43	6954C89H43	8543C48H43
B	6954C71H46	6954C89H46	8543C48H46
G	6954C71H49	6954C89H49	8543C48H49
M	6954C71H51	6954C89H51	8543C48H51
1	6954C71H01	6954C89H01	8543C48H01
2	6954C71H02	6954C89H02	8543C48H02
3	6954C71H03	6954C89H03	8543C48H03
4	6954C71H04	6954C89H04	8543C48H04
5	6954C71H05	6954C89H05	8543C48H05
6	6954C71H06	6954C89H06	8543C48H06
7	6954C71H07	6954C89H07	8543C48H07
8	6954C71H08	6954C89H08	8543C48H08
9	6954C71H09	6954C89H09	8543C48H09
10	6954C71H10	6954C89H10	8543C48H10

Size 1" w x 1.18" h , Backed with Adhesive, Black background  
 Call Adams, other characters are available



5402C03H  
 Braille Plate Bronze  
 Marking=CHART

CAR STATION BRAILLE PLATES	
Part No.	Marking
5402C03H01	1
5402C03H52	L
5402C03H53	B
5402C03H54	M
5402C03H61	LL
5402C03H86	P1
5402C03H92	Alarm Bell symbol
5402C03H95	Emergency Stop symbol
5402C03H97	Star (*)
5402C03H98	Door Close symbol

\* 540203H02 thru 540203H25 are characters 2 thru 25

Tag .82"W x 1.50"H  
 Character .62" H, Gothic Condensed  
 Stud Mounted, BRZ Character, Black Background.  
 Inquire about other characters

ENTRANCE JAMB PLATES	
Part No.	Marking
5402C05H01	1
5402C05H02	2
5402C05H03	3
5402C05H04	4
5402C05H05	5
5402C05H51	G

3.5" H  
 Black Background with BRZ letters  
 Inquire about other characters



5402C05H52



2175C97H01



7028C29H10

CAR STATION BRAILLE PLATES	
Part No.	Marking
* 2175C97H01	1
2175C97H52	L
2175C97H53	B
2175C97H54	M
2175C97H61	LL
2175C97H86	P1
2175C97H95	Emergency Stop symbol
2175C97H97	Star (*)
2175C97H98	Door Close symbol

\* 2175C97H02 thru 2175C97H25 are characters 2 thru 25  
 Tag .82"W x 1.50"H  
 Character .62" H, Gothic Condensed  
 Stud Mounted, SS Character, Black Background.  
 Inquire about other characters

CAR STATION BRAILLE PLATES	
Part No.	Marking
7028C29H48	*1
7028C29H08	1
7028C29H09	2
7028C29H10	3
7028C29H11	4
7028C29H166	* (Star)
7028C29H01	Phone symbol
7028C29H02	Alarm symbol
7028C29H03	Emergency Stop symbol
7028C29H04	Door Open symbol
7028C29H05	Door Close symbol

Tag 1.195"W x 1.253"H  
 Character .63" H, Gothic Condensed  
 Adhesive Mounted, White Character, Black Background.  
 Inquire about other characters



6954C71H69



6954C89H42

MTA CAR STATION BRAILLE PLATES	
Part No.	Marking
6954C71H41	*1 (Star 1)
6954C71H01	1
6954C71H02	2
6954C71H03	3
6954C71H04	4
6954C71H51	M
6954C71H52	P
6954C71H69	P1
6954C71H96	DN
6954C71H99	UP

Tag 1.00"W x 1.64"H  
 Character .62" H, Helvetica Medium  
 Adhesive Mounted, SS Character, Black Background.  
 Inquire about other characters

CAR STATION BRAILLE PLATES	
Part No.	Marking
6954C89H01	1
6954C89H02	2
6954C89H03	3
6954C89H04	4
6954C89H05	5
6954C89H42	*L (Star L)
6954C89H46	B
6954C89H49	G
6954C89H50	L
6954C89H54	LL

Tag 1.00"W x 1.18"H  
 Character .62" H, Helvetica Medium  
 Adhesive Mounted, BRZ Character, Black Background.  
 Inquire about other characters



**7428C01H02**



**7652C82H38**

### PEP BUTTON BRAILLE PLATES

Part No.	Character
<b>7428C01H02</b>	Emergency Stop symbol
<b>7428C01H04</b>	Door Close symbol
<b>7428C01H06</b>	1
<b>7428C01H07</b>	2
<b>7428C01H08</b>	3
<b>7428C01H09</b>	4
<b>7428C01H10</b>	5
<b>7428C01H11</b>	6
<b>7428C01H13</b>	G
<b>7428C01H15</b>	M
<b>7428C01H17</b>	LL
<b>7428C01H22</b>	*1 (Star 1)
<b>7428C01H23</b>	*G (Star G)
<b>7428C01H24</b>	*L (Star L)

Tag 2.50"W x 1.37"H  
 Opening for Button 1.125" dia.  
 Mounting Holes, SS Character, Black Background.  
 Inquire about other characters



**7652C81H13**

### PEP BUTTON BRAILLE PLATES

Part No.	Character
<b>7652C81H02</b>	L2
<b>7652C81H07</b>	M3
<b>7652C81H13</b>	DOOR OPEN F
<b>7652C81H14</b>	DOOR OPEN R

Tag 2.50"W x 1.37"H  
 Opening for Button 1.125" dia.  
 Mounting Holes, SS Character, Black Background.  
 Inquire about other characters

### PEP BUTTON BRAILLE PLATES

Part No.	Character
<b>7428C02H22</b>	*1 (Star 1)
<b>7428C02H07</b>	2
<b>7428C02H08</b>	3
<b>7428C02H09</b>	4
<b>7428C02H10</b>	5

Tag 2.50"W x 1.37"H  
 Opening for Button 1.125" dia.  
 Mounting Holes, BRZ Character, Black Background.  
 Inquire about other characters



**7428C02H10**

### PEP BUTTON BRAILLE PLATES

Part No.	Character
<b>7652C82H06</b>	1
<b>7652C82H22</b>	*1 (Star 1)
<b>7652C82H07</b>	2
<b>7652C82H08</b>	3
<b>7652C82H09</b>	4
<b>7652C82H38</b>	7

Tag 2.50"W x 1.37"H  
 Opening for Button 1.125" dia.  
 Mounting Holes, BRZ Character, Black Background.  
 Inquire about other characters



**7652C79H09**

### PEP BUTTON BRAILLE PLATES

Part No.	Character
<b>7652C79H02</b>	Emergency Stop
<b>7652C79H03</b>	Door Open
<b>7652C79H04</b>	Door Close
<b>7652C79H06</b>	1
<b>7652C79H07</b>	2
<b>7652C79H08</b>	3
<b>7652C79H09</b>	4
<b>7652C79H10</b>	5
<b>7652C79H11</b>	6
<b>7652C79H12</b>	B
<b>7652C79H13</b>	G

Tag 2.50"W x 1.37"H  
 Opening for Button 1.125" dia.  
 Mounting Holes, SS Character, Black Background.  
 Inquire about other characters



**323C895H23**  
**Short Cylinder**



**323C895H18**  
**Long Cylinder**



**323C895H19**  
**Service Cabinet Lock**



**5061A41H05**



**5061A41H04**

**LOCKS AND CAMS**

Part No.	Description	Finish	Positions	Keys	Key No.
323C895G01	Lock and Cam	Satin Chrome	2	2	H200
323C895G02	Lock and Cam	Satin Chrome	4	2	H200
323C895G03	Service Cabinet Lock	Satin Chrome	1	2	H200
323C895G04	Lock and Cam	Satin Chrome	4	2	H200
323C895G07	Lock and Cam	Satin Chrome	4	2	H200
323C895G08	Lock and Cam	Satin Chrome	1	2	H200
323C895G10	Lock and Cam	Satin Chrome	1	2	H341
323C895G12	Lock and Cam	Satin Chrome	1	2	H200
323C895G13	Lock and Cam	Satin Chrome	2	2	H200
323C895G15	Lock and Cam	Satin Chrome	2	2	H200
323C895G16	Lock and Cam	Satin Chrome	2	2	H200
323C895G17	Lock and Cam	Satin Chrome	2	2	H200
323C895G18	Lock and Cam	Satin Chrome	1	2	H200
323C895G19	Service Cabinet Lock	Satin Chrome	1	2	H200
323C895G21	Service Cabinet Lock	Satin Chrome	1	2	H200
323C895H01	Lock and Cam	Satin Chrome	1	2	H200
323C895H02	Lock and Cam	Satin Chrome	2	2	H200
323C895H10	Lock and Cam	Satin Chrome	4	2	H341
323C895H12	Lock and Cam	Satin Chrome	1	2	H200
323C895H15	Lock and Cam	Satin Chrome	1	2	H200
323C895H16	Lock and Cam	Satin Chrome	2	2	H200
323C895H18	Lock and Cam	Satin Chrome	2	2	H200
323C895H19	Lock and Cam	Satin Chrome	2	2	F359
323C895H20	Lock and Cam	Satin Chrome	1	2	F359
323C895H23	Lock and Cam	Satin Chrome	4	2	H341
323C895H25	Lock and Cam	Satin Chrome	4	2	H315

**SERVICE CABINET LOCKS AND CAMS**

Part No.	Finish	Positions	Keys	Key No.
5061A41H01	Bright Chrome	1	2	H301
5061A41H02	Bright Chrome	1	2	H301
5061A41H03	Bright Bronze	1	2	H301
5061A41H04	Satin Bronze	1	2	H301
5061A41H05	Bright Chrome	1	2	F501
5061A41H06	Satin Chrome	1	2	F501



**694B506G02**



**694B506G05**

**AE FIREMAN'S SERVICE KEYSWITCHES**

Part No.	Fire Service	Phase I	Key No.
694B506G01	OFF ON	Hall	H341
694B506G02	OFF ON	Hall	H341
694B506G03	BYPASS OFF ON	Hall	H341
694B506G05	BYPASS OFF ON	Hall	H341



**7029C27H03**



**7029C27H02**

**LOCKS AND CAMS**

Part No.	Description	12 O'Clock	3 O'Clock	6 O'Clock	Keys	Key No.
7029C27H01	Lock and Cam	X	X	---	2	AS100
7029C27H02	Lock and Cam	X	X	X	2	AS100
7029C27H03	Lock and Cam	X	0	---	2	AS100
7029C27H04	Lock and Cam	X	X	---	2	100T
7029C27H05	Lock and Cam	X	X	---	2	SC1000
7029C27H09	Lock and Cam	X	X	0	2	AS100
7029C27H10	Lock and Cam	X	X	0	2	SC1000
7029C27H11	Lock and Cam	X	X	---	2	100T

Key Pull = X

No Pull = 0

No position = ---

Used on 330A



**694B783G01**



**693B288G01**



**6950C92H02**



**6951C73G01**



**1320B11G02**

### KEYSWITCHES

Part No.	Description		Key No.
<b>694B783G01</b>	MAINTAINED (S TDS)	1M 1 B	H200
<b>693B288G01</b>	MEDECO	2 POS	No Keys
<b>6950C92H01</b>	MAINTAINED	1M 1 B	501CH
* <b>6950C92H02</b>	MAINTAINED	1M 1 B	501CH
<b>6950C92H03</b>	MAINTAINED	1M	501CH
<b>6950C92H04</b>	MOMENTARY	1M	501CH
<b>6950C92H05</b>	MOMENTARY	1M	501CH

\* Bronze

### CT FIREMAN'S SERVICE KEYSWITCHES

Part No.	Fire Service	Function	Key No.
<b>6951C73G01</b>	BFD 1 (CT)	Phase II	BFD1
<b>6951C73G02</b>	BFD 1 (CT)	Phase I	BFD1
<b>1320B11G01</b>	OFF ON	Phase I	CLC 332
<b>1320B11G02</b>	OFF ON	Phase I	CLC 332



**1718C73G04**



**1718C73G05**

### AE FIREMAN'S SERVICE KEYSWITCHES

Part No.	Fire Service	Mounting	Function	Key No.
<b>1718C73G01</b>	OFF ON	Horiz	Phase II	H341
<b>1718C73G02</b>	OFF ON BYPASS	Horiz	Phase I	H341
<b>1718C73G04</b>	OFF HOLD ON	Horiz	Phase II	H341
<b>1718C73G05</b>	OFF HOLD ON	Vert	Phase II	H341



**1718C74G05**



**1718C74G04**

### EA FIREMAN'S SERVICE KEYSWITCHES

Part No.	Fire Service	Mounting	Function	Key No.
<b>1718C74G01</b>	OFF ON	Horiz	Phase II	H341
<b>1718C74G02</b>	OFF ON BYPASS	Horiz	Phase I	H341
<b>1718C74G03</b>	OFF ON HOLD	Horiz	Phase II	H341
<b>1718C74G04</b>	OFF ON HOLD	Vert	Phase II	H341
<b>1718C74G05</b>	OFF ON	Vert	Phase I	H341
<b>1718C75G01</b>	OFF ON	Horiz	Phase II	H341
<b>1718C75G04</b>	OFF ON HOLD	Vert	Phase II	H341



**1721C42G04**



**1721C43G04**

### EA KEYSWITCHES

Part No.	Keyswitch	Mounting	Function	Key No.
<b>1721C42G01</b>	OFF ON SERVICE (1M-1B)	Horiz	Maintained	H200
<b>1721C42G04</b>	STOP RUN (1M-1B)	Horiz	Maintained	H200
* <b>1721C43G04</b>	STOP RUN (1M-1B)	Horiz	Maintained	H200

\* Used in Wood Swing Return





1721C41G13



196C149H20



196C149H31



196C149H28

**AE KEYSWITCHES**

Part No.	Keyswitch	Mounting	Function	Key No.
1721C41G03	OFF ON SERVICE (1 M)	Horiz	Maintained	H200
1721C41G05	OFF ON LIGHT (1M)	Horiz	Maintained	H200
1721C41G07	OFF ON HAND (2M)	Horiz	Maintained	H200
1721C41G10	OFF ON POWER (1M)	Horiz	Maintained	H200
1721C41G13	OFF ON (1M)	Horiz	Maintained	H200
1721C41G14	OFF ON (1M)	Horiz	Momentary	H200
1721C41G15	OFF ON (2M)	Horiz	Maintained	H200
1721C41G16	STOP - RUN (1M-1B)	Horiz	Maintained	H200
1721C41G20	OFF ON SERVICE (1M-1B)	Horiz	Maintained	H200
1721C41G22	LOW HIGH (1M-1B)	Horiz	Maintained	H200

**LOCKPLATES FOR KEYSWITCHES**

Part No.	Legend	Mounting
196C149H18	OFF ON HAND	Horiz
196C149H20	OFF ON H E	Horiz
196C149H21	OFF ON SERVICE	Horiz
196C149H25	OFF ON LITE	Horiz
196C149H26	OFF ON EMERG SERV	Horiz
196C149H27	OFF LITE FAN	Horiz
196C149H28	OFF LITE HI LOW	Horiz
196C149H29	OFF HI MED LOW	Horiz
196C149H45	Blank	Horiz
196C499H04	OFF ON 4	Horiz

Dimensions are 2.37"W x 1.50"H  
 Mounting Holes 2" centerline to centerline  
 Used with EPCO Keyswitch Cylinder 196C149H31

196C149H31	Keyswitch	EPCO1
------------	-----------	-------



195C566H01



195C566H05



196C149H12



196C149H02

**A LINE LOCK COMPONENTS**

Part No.	Description	Config.	Key	Finish
195C566G01	Lockplate Cylinder and Keys	4 Position	H341	SS
195C566G03	Lockplate Cylinder and Keys	4 Position	H341	BRZ
195C566G05	Lockplate OFF ON FIRE SERV			SS
195C566G07	Lockplate Cylinder and Keys	3 Position	H341	SS
195C566H01	Lockplate Blank			BRZ
195C566H04	Lockplate Blank			SS
195C566H05	Lockplate Cylinder and Keys	2 Position	CH670	SS

**BUTTON COMPONENTS**

Part No.	Description
* 196C149H01	Contact Base 2NO
* 196C149H02	Contact Base 2NC
* 196C149H03	Contact Base 1NO/1NC
196C149H04	Lamp Holder
196C149H10	Blank 1.14" dia Opening
196C149H12	Light Shield
196C149H13	Filter Red
196C149H14	Filter Green

\* Without Lamp Holder or Lamp  
 EPCO Buttons



7660C55H12



7660C55H09

### PEP KEYSWITCH LOCKPLATES

Part No.	Legend
7660C55H06	OFF ON
7660C55H08	OFF ON UP
7660C55H09	OFF ON DN
7660C55H12	OFF ON HAND
7660C55H19	OFF ON
7660C55H21	STOP RUN
7660C55H27	OFF FAN-LIGHT
7660C55H28	LOW-HIGH FAN
7660C55H29	OFF ON HAND
7660C55H38	OFF ON CODE BLUE
7660C55H31	OFF HOLD ON

1.38" Dia, Double D  
Black with White letters  
Inquire about other characters



7254C77H06  
Braille Plate  
On/Off/Up



8544C14H01  
Housing STD(MTA)

### MTA STUDLESS KEYSWITCH PLATES

Part No.	Legend
7254C77H04	ON OFF DOWN
7254C77H05	OFF ON
7254C77H06	ON OFF UP
7254C77H07	PHASE II ON HOLD OFF
* 7254C77H08	PHASE I ON OFF BYPASS
7254C77H15	CODE BLUE OFF ON

\* Filled Blue Enamel  
Tag 1.94"W x 1.17"H  
Character Helvetica Medium  
Adhesive Mounted, SS Character, Black Background.  
Inquire about other characters



8537C94H05



8537C94H08

### PEP KEYSWITCH LOCKPLATES

Part No.	Legend
8537C94H05	NORMAL INSPECT
8537C94H06	OFF ON SERVICE
8537C94H07	OFF ON LITE
8537C94H08	LOW HIGH FAN
8537C94H09	RUN STOP
8537C94H10	OFF ON FAN
8537C94H11	OFF ON
8537C94H17	BLANK

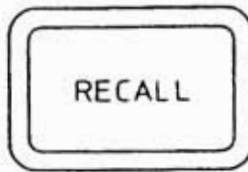
1.38" Dia, Double D  
Black with White letters  
Inquire about other characters

### MTA BUTTON ASSEMBLIES

Part No.	Description
8544C17G02	PB ASSEMBLY 1-SW (USED ON FEATURE BUTTONS, INTERMEDIATE FLOOR BUTTONS, AND CORRIDOR PUSH BUTTONS)
8544C17G01	PB ASSEMBLY 2-SW (USED ON TERMINAL FLOOR BUTTONS)
8544C17G03	PB ASSEMBLY (ALARM)
998C278H11	PC BOARD, 1-SW
998C304H11	PC BOARD, 2-SW
998C280H11	PC BOARD, ALARM
8540C58H02	RETAINER
8544C17G04	HOUSING AND PUSH BUTTON
693B550H01	RETAINING CLIP (FOR PC BRD)
70010CSC3R	SCREW
8544C17K01	BP HOUSING KIT
BRAILLE PLATE DOES NOT COME WITH PB ASSY	
8544C19G01	FIREMAN'S LIGHT ASSEMBLY (HAT)
8544C19G02	FIREMAN'S LIGHT ASSEMBLY (RECALL)
8544C19G03	MEDICAL EMERGENCY LIGHT ASSEMBLY
7656C53H74	FACE PLATE-FIREMAN'S HAT
7656C53H75	FACE PLATE-RECALL
7656C53H91	FACE PLATE-MEDICAL EMERGENCY
X46ACS1H01	LAMP HOLDER-WEDGE BASE
X46ABS1H06	LAMP 28V-WEDGE BASE
8544C15H01	HOUSING
8544C13H03	LIGHT DIFFUSER



8544C19G01



8544C19G02



8544C19G03



RP01001H03



RP01001H05



R9624H01



R9624H02

K4915G01  
1 7/16" End to EndK6430H01  
Double Bayonet  
Lampholder  
1 1/2" End to EndK4912H01  
1/4" High  
1.30" dia.  
1 3/16" End to End  
Black

BUTTONS	
Part No.	Character
RP01001H03	5R
RP01001H04	6R
RP01001H05	GR
RP01001H06	GL
RP01001H10	UL
RP01001H15	BR
RP01001H20	L1
RP01001H21	L2
RP01001H22	LM
RP01001H31	P5
RP01001H74	2P
RP01001H82	2M
RP01001H95	FIRE RETURN
RP01001H96	FIRE SERVICE



**8543C52H05**  
Run/Stop  
White on Red



**5061A46H03**  
Keyed SW 1M-1B  
MOM OC01 Key SST



**8544C22G01**  
Stop Switch Assembly

*MTA Braille Tag for RUN STOP Toggle Switch. White Characters and Braille on Red. 1.97"W x. 1.18"H. Toggle Slot is .38"W x .62"H. Adhesive Backing.*

*MTA Emergency Stop Toggle Switch Studdless Mounting*



**8544C21G01**  
Emergency Light Assembly



**5065A30H03**  
Adapter Plate  
A/E SWS to PEP/LT FIX



**865A254H01**  
Ferrule  
.312 Dia., 1.35"L



**5061A48H01**  
Lockplate Blank



**196C557H02**  
Blank PI Lens  
1.312" Dia., .750"L



**8540C59H01**  
Lens Cover (Front)



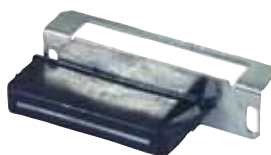
**5061A46H08**  
Keyed SW 1M-1B MNT  
OC01 Key BRZ  
(w/Lead)



**2644C37G01**  
Lock Switch-FER. FS, TDS  
Off-On H341 Key



**196C717H01**  
Readout  
2 digit "F" TDS (IEE)



**5061A31H01**  
Latch Magnetic  
Telephone Door



**216B755G02**  
Lens Chevron  
PHL Red Base  
2<sup>3</sup>/<sub>16</sub>" " Arrow with Red Filter  
216B755G01 has white filter



**5060A65H01**  
Emergency Key Glass  
1.69"W x 5.95"H



**478C384G01**  
Elevator Key Box  
3"W x 10"H

**1092-IC**

Part No.	Description
3-40250-21	CAR CONTROL BOARD, 1092DRM,
3-40012-24	OUTPUT BUFF PCB LVL B
3-40239-26	POSIN HALL/CALL PCB
3-40005-27	PULSE GEN BRD, ACCU/SAM/GAM



**3-40305-20**

**ACCU-FLITE**

Part No.	Description
3-40005-27	PULSE GEN BRD, ACCU/SAM/GAM
3-40006-59	ACCUFLITE POS. INTERFACE BRD
3-40252-30	AMPLIFIER BOARD, ACCU, LEVEL C
3-40290-10	AMPLIFIER BOARD, SAM/GAM, LEVE
3-40259-45	COUNTER BOARD, ACCU/SAM/GAM,
3-40292-28	DATA PRIORITY BRD 64FLRS,SAM
3-40231-72	GFC BOARD, GAM, LEVEL C
3-40292-32	INTERFACE BOARD, SAM/GAM, LEVE
3-40277-03	MEMORY BRD 64FLRS, ACCU/SAM/GA
3-40280-89	MOTOR FIELD CTRL BRD, SAM/GAM,
3-40280-85	PREDICTOR BOARD, ACCU/SAM/GAM,
3-40305-20	EMERG RESET PCB 24 VDC, GDC/GM

**GOLD-FLITE**

Part No.	Description
3-40305-20	EMERG RESET PCB 24 VDC, GDC/GM
3-40324-83	120V STEP SW MOTHER BRD, MISC.
3-40284-28	180V REV PHASE RELAY BRD, MISC
3-40324-80	24V STEP SW MOTHER BOARD, MISC
3-40284-26	90V REV PHASE RELAY BOARD, MIS
3-40280-14	ACCESSORY BOARD, GDC/GMG/GAC,
3-40287-93	GACIV AMPLIFIER BOARD, DYNATRO
3-40318-72	GDC HEATSINK PC BOARD ASSB
3-40256-98	G-F PATTERN GEN BD (EARTHQUAKE)
3-40281-07	GMG AMPLIFIER BOARD, GMG, LEVE
3-40267-48	PATTERN BOARD, GDC/GMG, LEVEL
3-40324-87	STEP SW RELAY BOARD, MISC.,
3-40280-18	TIMER DISPLAY BRD, GDC/GMG/GAC

**TRU-FLITE**

Part No.	Description
3-40233-09	TRU-FLITE AMP BOARD, LEVEL B

**300 A**

Part No.	Description
998C247H14	CIO PC BRD
998C246H12	MIO PCB ASSB
998C272H13	REL PCB ASSB
998C198H12	DPI PCB ASSB
998C245H12	PIB PCB ASSB



**222837**

**321 A**

Part No.	Description
225212	CIOACD 1.Q PCB ASSEMBLY
223200	CPB/AUXF JOINED PC BRD
223956	CRIPHNA 2.QA PCB ASSB
225313	CRIPHNA 4.QB PCB (W/O ACCESS)
223076	EBLON1 ASSEMBLY
222837	HPBHNA2.QA PCB ASSB
222923	EBCOM68 PCB ASSB
590862	GCIO360.QE PCB ASSB

**330 A**

Part No.	Description
225212	CIOACD 1.Q PCB ASSEMBLY
223200	CPB/AUXF JOINED PC BRD
223956	CRIPHNA 2.QA PCB ASSB
225313	CRIPHNA 4.QB PCB (W/O ACCESS)
223076	EBLON1 ASSEMBLY
222837	HPBHNA2.QA PCB ASSB
222923	EBCOM68 PCB ASSB
590862	GCIO360.QE PCB ASSB
225445	CRIPHNA 4.Q PCB (W/ACCESS)



### 330 A

Part No.	Description
225212	CIOACD 1.Q PCB ASSEMBLY
223200	CPB/AUXF JOINED PC BRD
223956	CRIPHNA 2.QA PCB ASSB
225313	CRIPHNA 4.QB PCB (W/O ACCESS)
223076	EBLON1 ASSEMBLY
222837	HPBHNA2.QA PCB ASSB
222923	EBCOM68 PCB ASSB
590862	GCIO360.QE PCB ASSB
225445	CRIPHNA 4.Q PCB (W/ACCESS)

### TXR5

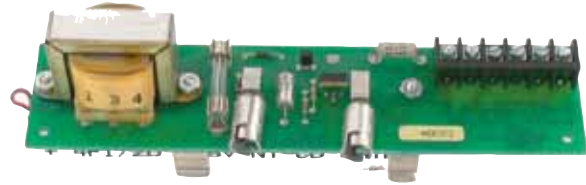
Part No.	Description
590862	GCIO360.QE PCB ASSB
224310	SETSDL 1.QC PCB ASSB
222533	LFTDPI50 PCB ASSB QB
222920	LONIOH 16 ASSB



998C254H12

### MICONIC A

Part No.	Description
998C169H11	DPR PCB
998C198H12	DPI PCB ASSB
998C245H12	PIB PCB ASSB
224213	SHVM 1.Q PCB ASSB
998C199H13	DCI PC BRD
998C224H11	ENC PCB
998C255H14	MGC PC BRD
998C254H12	MGS KEYSHEET INDEX A ZEHNT
998C197H13	MTV KEYSHEET PC BOARD
998C256H12	PTS PC BRD -
999C003H26	TRM PC BOARD
224310	SETSDL 1.QC PCB ASSB
998C239H11	DBC KEY SHEET
3-40266-40	HIC PC BOARD
998C227H12	INT KEYSHEET
998C228H12	RDI KEYSHEET INDEX A
998C238H12	V2V PC BOARD
998C225H12	VEC PC BOARD
3-40290-58	SSCC PC BRD



3-40220-54

### EVC ELC

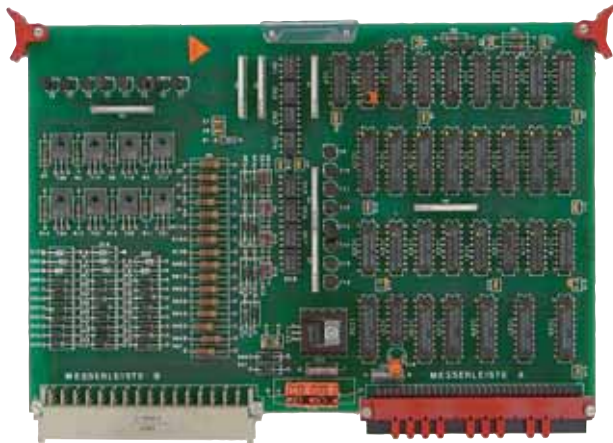
Part No.	Description
3-40220-54	EMERG LIGHT PC BOARD & BATTERY
3-40155-92	HI-VOLTAGE BOARD MDL III/IV
3-40179-99	LEVELING CONTROL BRD ELC, IV,
3-40143-00	MDL III LEVELING DECODER BOARD
3-40143-03	MDL III/IV PWR SUPPLY
3-40162-07	MODEL III/IV EXCESS ERROR BOAR
3-40142-99	MODEL III/IV SCR ASSB
3-40246-69	MODEL V AMPLIFIER PC BOARD
3-40143-02	SCR TRIGGER BOARD

### WORLD CLASS

Part No.	Description
2633C12G03	LZD KIT FOR TTL-DPG
999C414H22	WC4 PC BRD
999C401H13	WCA PC BOARD

### MICONIC VM

Part No.	Description
3-40290-58	SSCC PC BRD
3-40338-17	CAMF PC BOARD
3-40332-63	EA2232.MA PC BOARD, MICONIC V,
3-40332-65	EK2264.MA PC BOARD, MICONIC V
3-40232-32	GEARLESS PAS BOARD, MICONIC V,
3-40332-38	IG500 PULSE TACH PC BOARD
3-40341-30	MT1 PB PC BOARD ASSB
3-40340-68	PAS GEARED BOARD
3-40332-60	PEC116.MA PC BOARD
3-40320-63	RCE INTERFACE PC BOARD
3-40231-12	SAFETY PC BOARD
3-40342-45	SAFETY PC BOARD
3-40332-61	SUA116.MA PC BOARD
3-40337-62	UVPN 2512.MA PC BOARD
3-40332-62	VSR PC BOARD
3-40352-50	GAFC-L GEARLESS
3-40393-54	I/O PC BOARD CVT-1011



3-40332-65

**EPOCH I**

Part No.	Description
998C118H11	ASM PC BRD
998C076H14	DDD PC BRD INDEX A
998C120H11	DMM PC BRD
998C204H12	DTS PC BRD
998C090H12	IO2 PCB INDEX A
998C091H12	IO6 PC BRD
998C092H12	IO8 PC BRD
998C102H12	IOT KEYSHEET INDEX A
998C080H15	MGA KEYSHEET INDEX A
998C002H14	MGI-A PC BRD
998C153H15	MPT KEYSHEET
225054	SSCM 1.Q (G03) PCB
998C111H11	TB1 PC BRD
998C113H11	TB3 PC BRD
EPGXX	EPGXX RESET BOARD ASSB
1185C43H04	PE2 PC BRD

**MICONIC V**

Part No.	Description
3-40290-58	SSCC PC BRD
3-40341-26	GAFC GEARED MICONIC V PC BOARD
3-40340-45	MPSZ216.MA PC BOARD
3-40333-48	PAK216.MA 1092 DISPATCH PCB
3-40338-17	CAMF PC BOARD
3-40332-63	EA2232.MA PC BOARD, MICONIC V,
3-40332-65	EK2264.MA PC BOARD, MICONIC V
3-40232-32	GEARLESS PAS BOARD, MICONIC V,
3-40332-38	IG500 PULSE TACH PC BOARD
3-40341-30	MT1 PB PC BOARD ASSB
3-40340-68	PAS GEARED BOARD
3-40332-60	PEC116.MA PC BOARD
3-40320-63	RCE INTERFACE PC BOARD
3-40231-12	SAFETY PC BOARD
3-40342-45	SAFETY PC BOARD
3-40332-61	SUA116.MA PC BOARD
3-40337-62	UVPN 2512.MA PC BOARD
3-40332-62	VSR PC BOARD



998276H22

**EPOCH 2VA**

Part No.	Description
998C257H11	PTC PC BRD -
998C276H22	TCP PC BOARD
998C168H24	TRM PC BOARD EARLY VERSION
225094	SFCB 1.Q PCB ASSB SMT
998C199H13	DCI PC BRD
998C224H11	ENC PCB
998C255H14	MGC PC BRD
998C254H12	MGS KEYSHEET INDEX A ZEHNT
998C197H13	MTV KEYSHEET PC BOARD
998C256H12	PTS PC BRD -
999C003H26	TRM PC BOARD
998C149H12	SPB PC BOARD
998C169H11	DPR PCB

**TTL**

Part No.	Description
1185C43H04	PE2 PC BRD
1185C32H01	IT3 PC BRD
998C273H11	MTA PC BRD
998C274H11	MTB PC BRD
998C275H11	MTC PC BRD
1185C38H01	PD4 PC BRD
998C039H12	PD5 PC BRD
998C098H37	PE3 PC BRD
998C009H11	PLO PC BRD
998C062H46	TM1 PC BRD
998C063H23	TM2 PC BRD

### MPH I

Part No.	Description
225094	SFCB 1.Q PCB ASSB SMT
998C149H12	SPB PC BOARD
998C169H11	DPR PCB
EPGXX	EPGXX RESET BOARD ASSB
998C147H15	DCB KEYSHEET INDEX A
998C150H11	ECB PC BRD (CHIME BRD)
998C146H22	HRM PC BRD -
998C145H24	MHP PRINTED CIRCUIT BOARD
998C173H22	NSP PCB
998C202H12	PHC PC BRD
998C164H13	DPB PC ASSB

### MOTRL

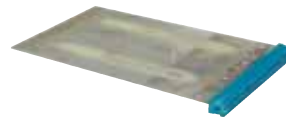
Part No.	Description
1718C08G01	ER-11 ELECTRONIC REGULATOR
998C108H12	ERA PCB ASSEMBLY
998C110H12	ERB PCB ASSEMBLY
998C206H12	ETS PC BRD
998C030H27	MFR KEYSHEET
998C032H15	MS1 KEYSHEET
998C061H14	MS2 BRD
998C127H14	MS6 PC BRD
999C225H25	MSR PC BRD
998C026H26	MVR KEYSHEET INDEX A
998C077H24	PM1 KEY SHEET INDEX A
196C584G01	SP1 PC BRD
196C585G01	SP2 PC BOARD

### MPH II

Part No.	Description
998C149H12	SPB PC BOARD
998C169H11	DPR PCB
998C164H13	DPB PC ASSB
998C188H11	IOX PC BRD
998C187H26	MHC PCB ASSEMBLY
998C216H28	RMH PCB ASSB
998C198H12	DPI PCB ASSB
998C245H12	PIB PCB ASSB
224213	SHVM 1.Q PCB ASSB



998C273H11



999C419H11



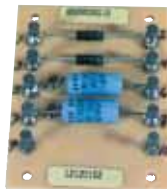
2633C40G01



221985



206748



692B935G03



2894C59G07

### Q BOARDS

Part No.	Description
206748	Q BOARD SIA8.
206816	Q BOARD SMTXV2.
222821	Q BOARD ASSB LANTHNA 1.
222824	QC BOARD ASSB PIHNA 1. ( 4 per panel)
590098	RC 3.Q 630V./250V PCB ASSY
590882	PCB SDSFCR 1.Q VF170/280
2894C59G01	Q BOARD ASSY
2894C59G07	Q BOARD ASSY
692B935G02	ZENER Q STRIP
692B935G03	ZENER Q STRIP
7252C95G01	Q-BOARD (QS2 MICA-VFAC EXT)
7252C95G02	Q-BOARD (QS3 MICA-VFAC EXT)

### MISCELLANEOUS BOARDS

Part No.	Description
221985	ANN PC BRD
222519	IGBT W/ GA BOARD
223200	CPB/AUXF JOINED PC BRD
103D883G03	PC BRD MT1 & CONN
1185C68H01	PC BRD EXTENDER 12"
2633C40G01	FRC PC MODULE
2633C79G01	PC BRD LSA (PROX E-LDG SW ADAPT)
2633C88G01	PC MODULE EPC
5194D95G03	FRT DOOR PC BRD
5194D96G03	FRT PC BRD M DOOR PWR SUPPLY & TACH
693B110H01	TTL-DPG LOAD BOARD
693B110H02	TTL-ERL/CDM LOAD BOARD
693B112H01	JUMPER BOARD (MIC A DATA LINK)
7254C43H01	ACD PC BRD
7258C06H01	AFB PC BRD
7285C73H01	PMX PC BRD (PERFORMANCE MONITOR BRD)
7375Z	EXTENDER BOARD
998C273H11	MTA PC BRD
999C419H11	WC9 PC BRD
KE-1050-1	CONTROL MODULE BOARD

Our replacement fuses are 1-to-1 replacements for the Westinghouse fuses. Install them anywhere their physical and electrical characteristics match the cartridge fuses you are replacing. Available in 250 and 600 VAC. Fuse ordering information on following page.



CAPACITORS				
Adams part no.	Capacitance (μf)*	Max input (VDC)	Diode	Westinghouse part no.
<b>WCA1</b>	10	150	Yes	466D034G01
<b>WCA2</b>	50	150	Yes	466D034G02
<b>WCA3</b>	(150) + (50)	150 + 150	Y+N	466D034G03 & G06
<b>WCA4</b>	(50) + (50)	150 + 150	Yes	466D034G02 & G06
<b>WCA5</b>	(150) + (50)	150 + 150	N+Y	466D034G07 & G02
<b>WCA7</b>	150	150	No	466D034G07
<b>WCA8</b>	(10/10)	150	Yes	466D034G08
<b>WCA9</b>	(50) + (10/10)	150 + 150	N+Y	466D034G01 & G06

\*(n/n<sub>1</sub>) = capacitor with two separate internal capacitance ratings;  
 (n<sub>1</sub>) + (n<sub>2</sub>) = set of two separate capacitors with different mfd ratings

RESISTOR TUBES				
Adams part no.	Resistance (Ω)	Max. amps	Watts	Westinghouse part no.
<b>WRT7</b>	21.5	2.64	<i>These 10"L resistor tubes are rated for 250V and 150W max. across the length of the entire tube. If less than the whole length is used, you must derate the tube accordingly.</i>	X28A-7
<b>WRT8</b>	25.2	2.44		X28A-8
<b>WRT9</b>	43.0	1.87		X28A-9
<b>WRT10</b>	64.2	1.53		X28A-10
<b>WRT11</b>	84.0	1.34		X28A-11
<b>WRT12</b>	126.0	1.09		X28A-12
<b>WRT13</b>	168.0	0.94		X28A-13
<b>WRT14</b>	252.0	0.77		X28A-14
<b>WRT15</b>	455.0	0.57		X28A-15
<b>WRT17</b>	800.0	0.43		X28A-17
<b>WRT18</b>	1000.0	0.39		X28A-18
<b>WRT21</b>	2000.0	0.27		X28A-21
<b>WRT22</b>	2500.0	0.24		X28A-22
<b>WRT24</b>	4000.0	0.19		X28A-24
<b>WMC10</b>	Mounting clip, order separately; 2 req'd.			K1591G01

CAPACITORS - ELECTROLYTIC		
Part No.	Capacitance	
	(microfarads)	Rating (VDC)
<b>K3412H01</b>	100	125
<b>K3412H02</b>	75	125
<b>K3412H03</b>	50	125
<b>K7344H01</b>	50	150
<b>K7344H02</b>	150	150
<b>K7344H03</b>	10	150
<b>M5389H01</b>	200	300
<b>M5389H03</b>	100	450
<b>M5389H11</b>	50	450



**K3412H01**



**K3412H03**



**K7344H01**



**K7344H02**



**K7344H03**

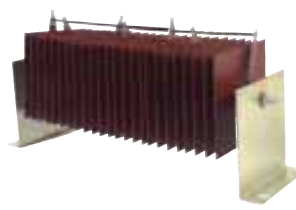




**M7448H02**



**M7448H03**



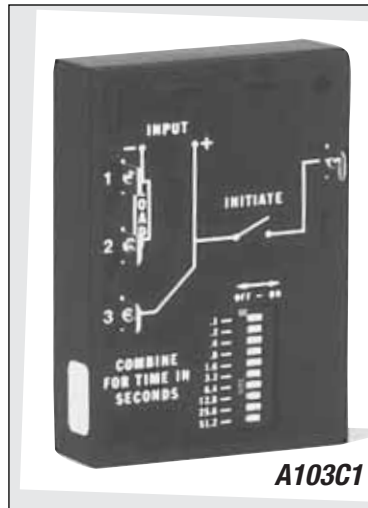
**M7464H08**

<b>RECTIFIERS</b>			
Part No.	Phases	Voltage	Current
<b>M7448H02</b>	1	168 V	0.6 A
<b>M7448H03</b>	1	230 V	0.6 A
<b>M7464H02</b>	3	120 V	6 A
<b>M7464H05</b>	3	120 V	0.4 A
<b>M7464H08</b>	3	120 V	16 A

### FUSES ORDERING INFORMATION

Adams part no.	Volts	Amps	Westinghouse part no.	Length	Dia.	Pieces per pkg.
<b>A650F1</b>	250	1	681A556-1	2"	9/16"	10
<b>A650F2</b>	250	2	681A556-4	2"	9/16"	10
<b>A650F11</b>	250	2	—	1 <sup>3</sup> / <sub>16</sub> "	1 <sup>3</sup> / <sub>64</sub> "	5
<b>A650F12</b>	250	3	—	1 <sup>3</sup> / <sub>16</sub> "	1 <sup>3</sup> / <sub>64</sub> "	10
<b>A650F3</b>	250	3	681A556-6	2"	9/16"	10
<b>A650F9</b>	250	5	681A556H-8	2"	9/16"	10
<b>A650F4</b>	250	6	681A556-17	2"	9/16"	10
<b>A650F10</b>	250	8	681A556H-18	2"	9/16"	10
<b>A650F5</b>	250	10	681A556-9	2"	9/16"	10
<b>A650F6</b>	250	15	681A556-10	2"	9/16"	10
<b>A650F7</b>	250	20	681A556-11	2"	9/16"	10
<b>A650F8</b>	250	30	681A556-12	2"	9/16"	10
<b>A650F13</b>	250	1	—	1 <sup>1</sup> / <sub>2</sub> "	1 <sup>3</sup> / <sub>32</sub> "	10
<b>A650F14</b>	250	2	—	1 <sup>1</sup> / <sub>2</sub> "	1 <sup>3</sup> / <sub>32</sub> "	10
<b>A650F15</b>	250	3	—	1 <sup>1</sup> / <sub>2</sub> "	1 <sup>3</sup> / <sub>32</sub> "	10
<b>A650F16</b>	250	6	—	1 <sup>1</sup> / <sub>2</sub> "	1 <sup>3</sup> / <sub>32</sub> "	10
<b>A650F17</b>	250	10	—	1 <sup>1</sup> / <sub>2</sub> "	1 <sup>3</sup> / <sub>32</sub> "	10
<b>A650F18</b>	250	15	—	1 <sup>1</sup> / <sub>2</sub> "	1 <sup>3</sup> / <sub>32</sub> "	10
<b>A650F19</b>	250	25	—	1 <sup>1</sup> / <sub>2</sub> "	1 <sup>3</sup> / <sub>32</sub> "	10
<b>A650F20</b>	250	30	—	1 <sup>1</sup> / <sub>2</sub> "	1 <sup>3</sup> / <sub>32</sub> "	10
<b>A651F1</b>	600	3	—	5"	3/4"	4
<b>A651F2</b>	600	6	—	5"	3/4"	4
<b>A651F3</b>	600	10	681A566-15	5"	3/4"	4
<b>A651F4</b>	600	15	681A566-16	5"	3/4"	4

*(Fuses pictured on preceding page)*



**A103C1**

### SOLID-STATE TIMER

No more changing out bad capacitors! This solid state, 20-120V DC only timer is for:

- Delay on BREAK
- Delay after DE-ENERGIZE
- OFF delay
- Delayed DROP OUT

Dip switches on front can be set from 0.1 to 102.3 seconds.

Adams part no. **A103C1**

For more information about Adams Timers, see pages 86-87.



<b>TRANSFORMERS</b>				
Part No.	Primaries (VAC)	Phases	Secondaries (VAC)	Power (VA)
1188C45H01	115	1	7.75/7.75	24
1725C19H01	440/480	1	180/115/17	5500
1725C19H04	440/480	1	180/115/17	9600
198C036H01	120	1	60/60	25
198C036H02	120	1	85/85	25
320C940H01	199-260	1	101	550
320C940H02	380-575	1	101	550
320C941H01	199-260	1	101	350
321C145H02	380-575	1	101	750
325C827H02	230/460	1	157/115	300
343541	208-600	1	220/120	318
343542	208-600	1	24	500
465D025H01	380-575	1	208	750
465D025H02	380-575	1	208	500
465D025H03	380-575	1	208	200
465D434H02	380-480	1	12	350
465D434H05	115	1	12	350
465D434H10	115	1	12	25
477C835H02	440-500	1	88/88	550
478C049H01	208-250	1	110/110	550
478C049H02	440-500	1	110/110	550
626D268H01	440/480	3	180	1750
626D268H10	220-260	3	98	1750
626D268H13	440/480	3	98	1000
626D268H15	440/480	3	98	2500
626D268H16	440/480	3	98	1750
628D241H01	220-260	1	115	550
628D241H02	440/480	1	115	550
628D409H02	440/480	3	90	25
630B479H01	416-530	1	15/15	30
630B482H01	440	3	88/28	2
630B484H01	60	1	6	23
6925C91H01	230/460	1	160/115	450
692B253H01	208/460	1	115/115	600
693B055H01	220/480	1	115	350
695B119H11	120	1	12	10
7243C45H01	208/240	1	170/115	3950
7256C91H13	208/260	1	480/460	50000
7264C34H02	208/230	1	115	1100
7265C84H01	208/480	3	11.6	450
7265C84H03	208/480	3	11.6	1400
7428C92H06	208/460	1	115	700



1188C45H01



465D025H02



692B253H01



1725C19H04



465D434H02



695B119H11



198C036H01



477C835H02



320C940H01



628D241H02



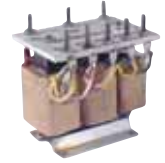
7256C91H13



343542



626D268H01



630B482H01



325C827H02



630B479H01



7265C84H03



151B450H03



2643C85H15



630B480H01



630B481H01

**TRANSFORMERS - SPECIALTY**

Part No.	Description
146A102H01	Pwr. Supply P=117; S=6.3V @ 0.6 ADC
151B450H03	Pwr. Supply P=110/115; S=36V @ 0.05 ADC
1725C12H01	Timing Transf; P=440/480; S=18/18; 3 Phase
2643C85H15	Transf for EZ Door Op.; 250 VA (A-46208)
630B480H01	Pulse Transf. P=20 V; S=6 V
630B481H01	Timing Transf; P=440; S=14; 3 Phase; 19 VA

