

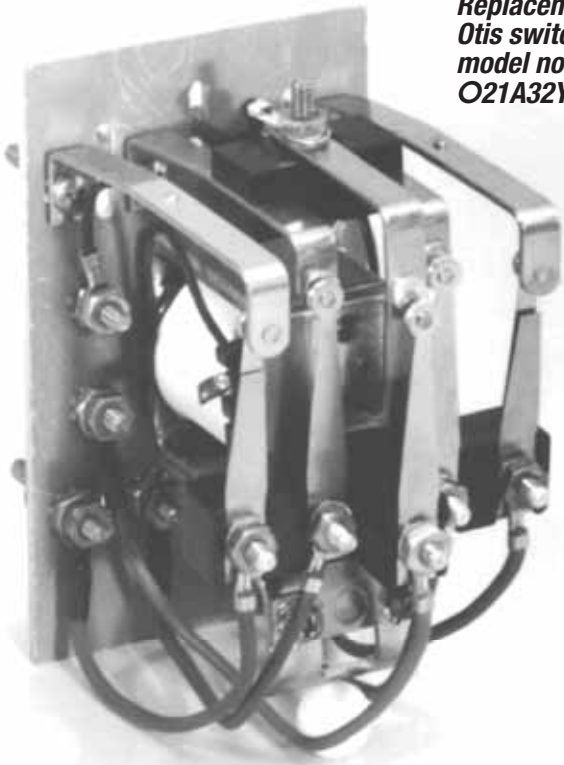
Index for Pages 226-308

Bearings.....	274	Insulators.....	302
Brush holders.....	282, 284, 287	Interlocks.....	288-291
Brushes.....	285-286	Lamps.....	269
Bumpers.....	279	Magnet switches.....	226
Bushings.....	272	Mechanical pushbutton switches.....	265, 270
Buttons.....	260-269	Mechanical switches.....	292-294
Cam & clamp assembly.....	252, 291	Motor bearings.....	283
Capacitors/timers.....	275, 278	Motor brushes (carbon).....	285-286
Carbon contacts.....	300	Packing, machine.....	283
Carbon holders.....	282, 287, 301	PI lenses.....	267
Chain, door closer.....	291	Pile-up assemblies.....	232
Coils.....	228, 229, 232, 236, 237, 246, 247	Printed circuit boards.....	305-307
Contacts.....	228, 229, 230, 236, 241, 244, 245, 254, 287, 298, 299, 300	Rail gibs.....	302, 303
Copper contacts.....	298-299	Rectifiers.....	277
Door edge sight guards/shields.....	295	Relay repair paks.....	229, 230, 238, 241
Door gibs.....	291, 304	Relays.....	226-247
Door hanger rollers.....	256	Resistors.....	278, 279
Door interlocks.....	288-291	Rheostat.....	271
Door keys.....	297	Rollers.....	255-259
Door motors.....	271	Selector Parts.....	248-253
Door parts.....	288-291	Selector tape.....	250
European switch assembly.....	269	Sheaves.....	272
Fixture components.....	260-270	Shunts.....	237, 238, 242, 282
Gaskets.....	279-281	Spirator.....	291
Gibs.....	302-304	Springs.....	237, 291, 295, 296, 301
Gongs.....	279	STOP switches.....	268, 270, 276
Guide rollers.....	258	Switch arms, replacements.....	294
Guide shoes.....	303, 304	Switches.....	251, 253, 271
Hall stations.....	262, 263, 265, 267	Touch tubes.....	264
Hanger rollers.....	256	Transformers.....	271
Hardware.....	272-275, 301, 302	Uphrust rollers.....	257
Hydraulic packing.....	280-281	Washers.....	301, 302

**Replacement
Otis switch,
model no.
O21A32Y1**

Adams O2100-Series Replacement Magnet Switches for Otis Type A6164BP

Adams tests every single switch/relay. Our complete replacement switches (O2100 series) for the Otis Type A6164BP Magnet Switch are shipped *with a coil*.



If you are unsure of the Otis part no. for the switch you are replacing, you can still determine the proper Adams part number by following the guide below. You will need to know:

- 1) Switch arrangement
- 2) Number of MAKING contacts
- 3) Number of BREAKING contacts
- 4) Type of coil

SAMPLE PART NO.:

O21 A 3 2 Y1

Switch type
(A6164BP)

Type of coil
This number will appear on Otis coils preceded by 222C (Example: 222CY1)

No. of **BREAKING** contacts

No. of **MAKING** contacts

B=General Purpose, 4-lead coil

C=Self-Holding, 3-lead coil

D=Self-Holding, 4-lead coil

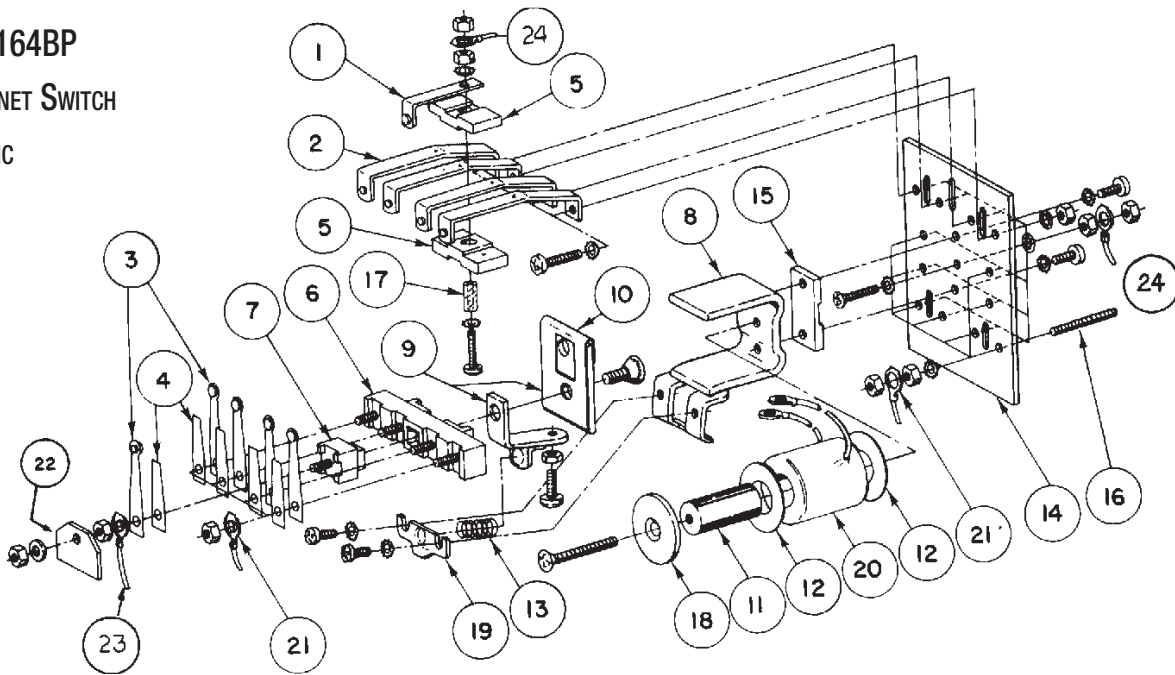
NOTE: For condensor-timed switches, order A or B plus suitable condensor

*MAKING contacts are normally open [NO]; BREAKING contacts are normally closed [NC].

COMPLETE REPLACEMENT A6164 RELAYS

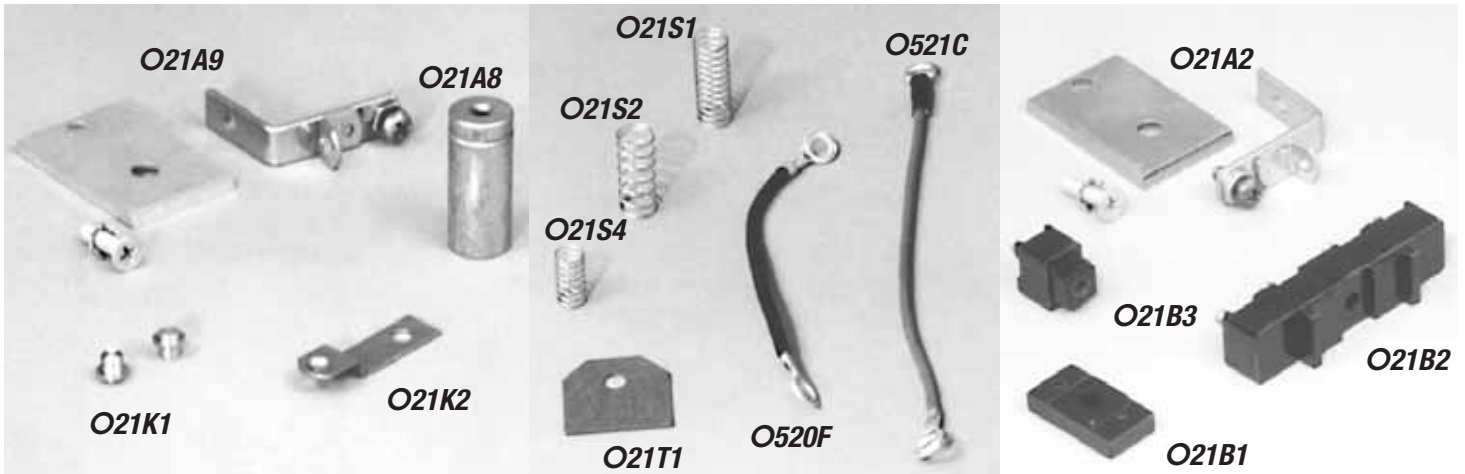
Adams part no.	Make/Break*	Adams coil no.	Otis part no. (A6164BP-)
General Purpose, 2- & 3-Lead Coil			
O21A02Y1	2B	H5317	102CY1
O21A04Y1	4B	H5317	104CY1
O21A04Y2	4B	H5318	104CY2
O21A11Y1	1M 1B	H5317	111CY1
O21A13Y1	1M 3B	H5317	113CY1
O21A14Y1	1M 4B	H5317	114CY1
O21A14Y2	1M 4B	H5318	114CY2
O21A20Y10	2M	H7587	120CY10
O21A20Y3	2M	H5319	120CY3
O21A20Y1	2M	H5317	120CY1
O21A22Y2	2M 2B	H5318	122CY2
O21A22Y1	2M 2B	H5317	122CY1
O21A23Y1	2M 3B	H5317	123CY1
O21A23Y2	2M 3B	H5318	123CY2
O21A31Y3	3M 1B	H5319	131CY3
O21A31Y1	3M 1B	H5317	131CY1
O21A32X1	3M 2B	H5328	132CX1
O21A32Y10	3M 2B	H7587	132CY10
O21A32Y2	3M 2B	H5318	132CY2
O21A32Y1	3M 2B	H5317	132CY1
O21A40Y1	4M	H5317	140CY1
O21A41X1	4M 1B	H5328	141CX1
O21A41Y10	4M 1B	H7587	141CY10
O21A41Y1	4M 1B	H5317	141CY1
O21A50Y1	5M	H5317	150CY1
O21A50Y2	5M	H5318	150CY2
General Purpose, 4-Lead Coil			
O21B23Z1	2M 3B	H7501	623CZ1
O21B23Z5	2M 3B	H7555	623CZ5
O21B32Z1	3M 2B	H7501	632CZ1
O21B32Z5	3M 2B	H7555	632CZ5
O21B41Z1	4M 1B	H7501	641CZ1
O21B50Z1	5M	H7501	650CZ1
Self-Holding, 3-Lead Coil			
O21C20X1	2M	H5328	320CX1
O21C23X1	2M 3B	H5328	323CX1
O21C31X1	3M 1B	H5328	331CX1
O21C32X1	3M 2B	H5328	332CX1
O21C40X1	4M	H5328	340CX1
O21C41X1	4M 1B	H5328	341CX1
O21C50X1	5M	H5328	350CX1
Self-Holding, 4-Lead Coil			
O21D14Z1	1M 4B	H7501	714CZ1
O21D23Z3	2M 3B	H7500	723CZ3
O21D32Z1	3M 2B	H7501	732CZ1
O21D32Z3	3M 2B	H7500	732CZ3
O21D41Z1	4M 1B	H7501	741CZ1

TYPE A6164BP
DC MAGNET SWITCH
SCHEMATIC



REPLACEMENT PARTS FOR A6164BP RELAYS

Key no.	Adams part no.	Replaces Otis no.	Description
1	O21C1	150P25	Stationary "L" contact
2	O21C2	150P26	Stationary contact, 2 ⁵ / ₈ " L, make
2	O21C3	150P27	Stationary contact, 3 ³ / ₃₂ " L, make
3	O21C4	150P4	Movable contact
4	O21C5	93D2	Leaf spring
5	O21B1	306CN1	Contact base
6	O21B2	306CZ1	Contact base
7	O21B3	306EF1	Contact base
8	O21A1	B374FV1	Magnet frame
9	O21A2	245Z2	Armature 2/A477BH1 stop
10	O21A3	384FN1	Brass guard for armature
11	O21A4	400AY1	Magnet core w/o groove
12	O21A5	129BR1	Incl. 1 brass, 1 phenolic shim
13	O21S1	90LA4	Compression spring
	O21S2	90TA6	Compression spring
	O22S2	90VA16	Compression spring
14	O21P1	433AG1	Switch panel
15	O21B4	298BV1	Phenolic base, 7 ⁷ / ₈ " x 1 ⁵ / ₈ "
16	O21P2	99G1	Terminal stud
17	O21B5	137E5	Base bushing
18	O21A6	131BH1	Magnet core washer
19	O21A7	A477BJ1	Formed steel pivot stop
20	Hxxxx	222-xx	Coil (see p. xxx)
21	O521B	175J89	Shunt, 4 ³ / ₄ " L
22	O21T1	102DA1	I.D. tag
23	O521C	175J90	Shunt, 5 ³ / ₄ "
24	O520F	175J6	Shunt, 3 ³ / ₄ "
COMPONENTS FOR SELF-HOLDING RELAYS (NOT SHOWN)			
<i>For more info., see page 228</i>	O21A8	400AY2	Magnet core w/groove
	O21A9	245Z1	Armature
	O21K1	A79AN1	Kickoff assembly pin
	O21K2	316BCA1	Kickoff assembly bracket
	O21S2	90TA6	Main compression spring
	O21S4	90KA3	Kickoff spring



SELF-HOLDING SWITCH COMPONENTS

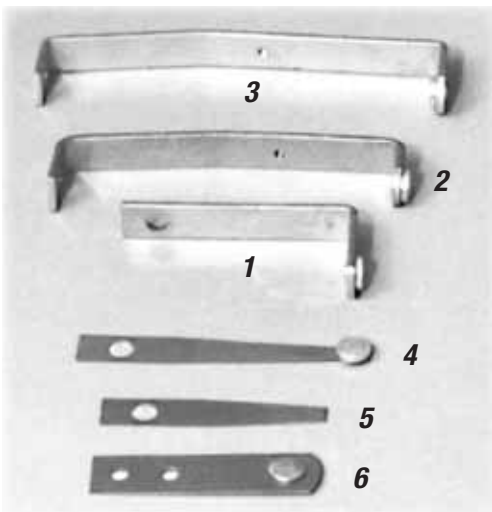
Adams part no.	Otis part no.	Description
O21A8	400AY2	Magnet core w/groove
O21A9	245Z1	Armature
O21K1	A79AN1	Kickoff assembly pin
O21K2	316BCA1	Kickoff assembly bracket

SHUNTS & SPRINGS

Adams part no.	Otis part no.	Description
O521A	175J88	Shunt, 3 ³ / ₄ "L
O521B	175J89	Shunt, 4 ³ / ₄ "L
O521C	175J90	Shunt, 5 ³ / ₄ "L
O521D	175J122	Shunt, 7 ⁵ / ₈ "L
	175J150	Shunt, 4 ³ / ₄ "L
O521F	175J93	Shunt, 6 ¹ / ₂ "L
O520F	175J6	Shunt, 3 ³ / ₄ "L
O21T1	102DA1	I.D. tag
O21S1	90LA4	Compression spring, 1" L
O21S2	90TA6	Main compression spring, 2 ⁷ / ₃₂ " L
O21S4	90KA3	Kickoff spring, 9 ¹ / ₁₆ " L

BAKELITE BASES/ARMATURE

Adams part no.	Otis part no.	Description
O21B1	306CN1	Bakelite base for O21C1 "L" contact (2 required)
O21B2	306CZ1	Bakelite base for O21C4 contact
O21B3	306EF1	Bakelite base, mates with O21B2
O21A2	1245Z2	Armature for A6164-BP general-purpose relays (cad-chromate plated)



Shunts, Springs and Replacement Coils are also available.

Replacement Coils for A6164BP Relays

Adams replacement coils are wound on glass-filled bobbins molded from green Lexan®.

Identical to their Otis counterparts, the coils listed here are the models used most frequently on A6164-BP Controller switches.

Lexan—Reg TM General Electric Company

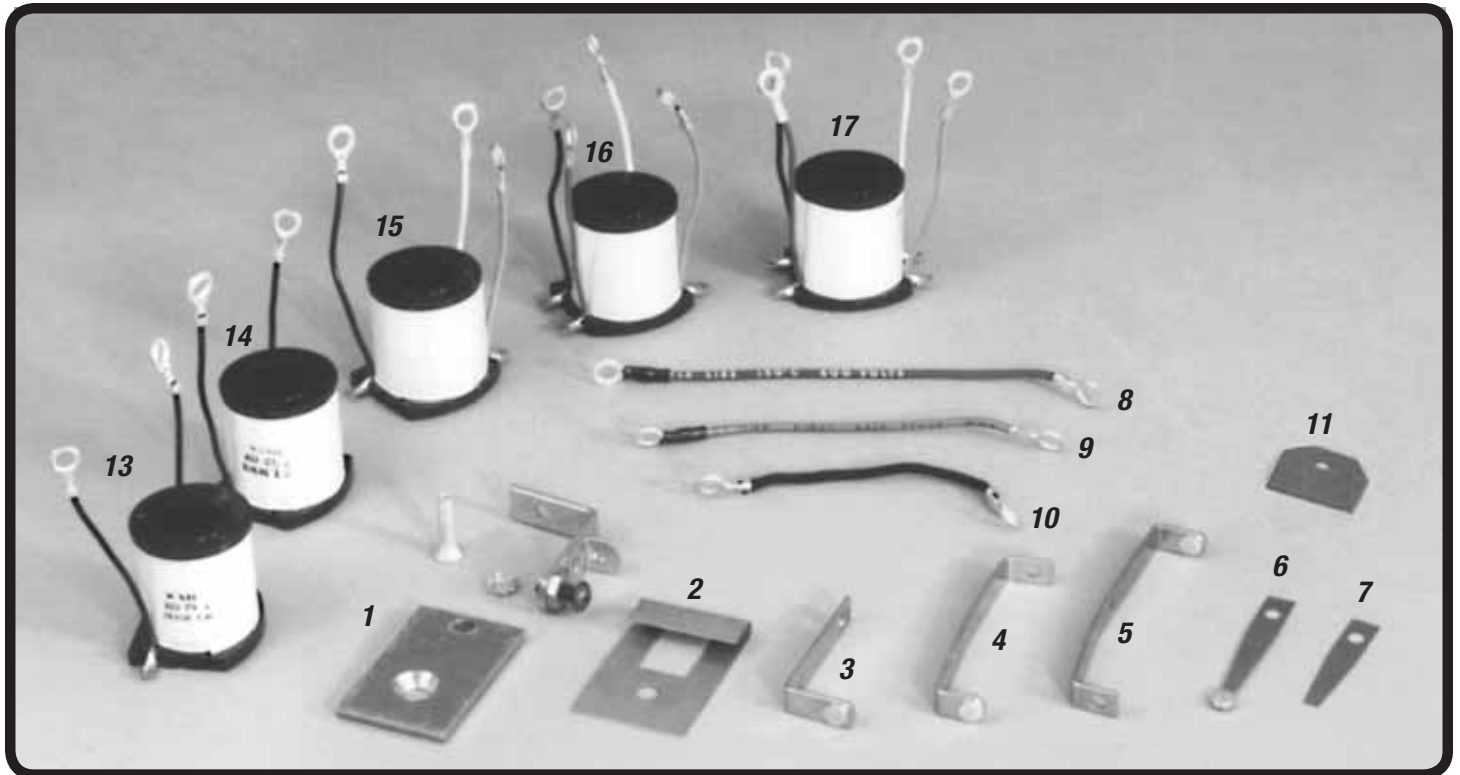


O2100-SERIES CONTACTS

Key no.	Adams part no.	Otis part no.	Description
1	O21C1	150P25	Steel "L" contact w/1/4"-dia. silver tip; 1 ³ / ₄ "L x 5/8"
2	O21C2	150P26	Making contact w/1/4"-dia. silver tip; 2 ⁵ / ₈ "L
3	O21C3	150P27	Breaking contact w/1/4"-dia. silver tip; 3 ³ / ₃₂ "L
4	O21C4	150P4	Movable contact w/1/4"-dia. silver tip; 2 ¹ / ₈ "L
5	O21C5	93D2	Leaf spring, 1 ⁵ / ₈ "L x 5/16"W
6	O27C6	150H10	Movable contact w/1/4" double silver tip, 1 ⁵ / ₈ "L x 7/16"W; use on A6164 definite voltage switch

ADAMS REPLACEMENT COILS

Adams part no.	Otis part no.	Adams part no.	Otis part no.
H5317	222CY1	H7588	222CY11
H5318	222CY2	H5328	222CX1
H5319	222CY3	H5329	222CX2
H5320	222CY4	H7500	222CZ3
H7582	222CY5	H7501	222CZ1
H7505	222CY6	H7503	222CZ2
H7507	222CY7	H7504	222CZ4
H7585	222CY8	H7555	222CZ5
H7587	222CY10		



REPAIR PAKS FOR A-6164BP SWITCHES

Best use: Keep one or more Repair Pak at every job site...to eliminate trips back to the warehouse.

Paks available with or without replacement coils.

OK2101 Repair Pak. Contains items 1 thru 12. Item 12 not shown. Coils not included.

OK2102 Repair Pak. Contains items 1 thru 17. Item 12 not shown. Coils included.

EACH OK2101/2102 REPAIR PAK INCLUDES:

Photo key	Adams part no.	Otis part no.	Description	Quantity
1	O21A2	245Z2	Armature	1
2	O21A3	384FN1	Guard, brass	2
3	O21C1	150P25	"L" contact, stationary	2
4	O21C2	150P26	"Make" contact, stationary	12
5	O21C3	150P27	"Break" contact, stationary	12
6	O21C4	150P4	Contact, movable	36
7	O21C5	93D2	Leaf spring	30
8	O521C	175J90	Shunt, 5 ³ / ₄ "L	2
9	O521B	175J89	Shunt, 4 ³ / ₄ "L	10
10	O520F	175J6	Shunt, 3 ³ / ₄ "L	2
11	O21T1	102DA1	I.D. tag (gray)	6
12	—	—	Assorted hardware & springs	1 pkg.
OK2102 ALSO INCLUDES:				
13	H5317	222CY1	Coil	2
14	H5318	222CY2	Coil	2
15	H5328	222CX1	Coil	2
16	H7501	222CZ1	Coil	1
17	H7503	222CZ2	Coil	1

Value Paks for A6164BP Switches

Each of the Paks described below features 20-250 each of the movable contacts, stationary contacts and shunts you need most to repair Otis A6164BP switches.

Stock a Repair Pak for convenience.

OVP2110 VALUE PAK

Adams part no.	Otis part no.	Quantity
O21C4	150P4	250
O21C5	93D2	50

MOVABLE CONTACT VALUE PAK

Adams part no. **OVP2110**
Value Pak. Contains 250 movable contacts + 50 leaf springs.

O21C4 movable contact, both sides shown

O21C5 leaf spring

STATIONARY CONTACTS VALUE PAK

Adams part no. **OVP2111**
Value Pak. Contains 225 stationary contacts.

Adams part no.	Otis part no.	Quantity
O21C2	150P26	100
O21C3	150P27	100
O21C1	150P25	25

OVP2111 VALUE PAK

O21C2

O21C3

O21C1

SHUNTS VALUE PAK

Adams part no. **OVP2112** Value Pak.
Contains 160 shunts.

Adams part no.	Otis part no.	Length	Quantity
O521A	175J88	3 ³ / ₄ "	20
O521B	175J89	4 ³ / ₄ "	100
O521C	175J90	5 ³ / ₄ "	20
O521D	175J122	7 ⁵ / ₈ "	20

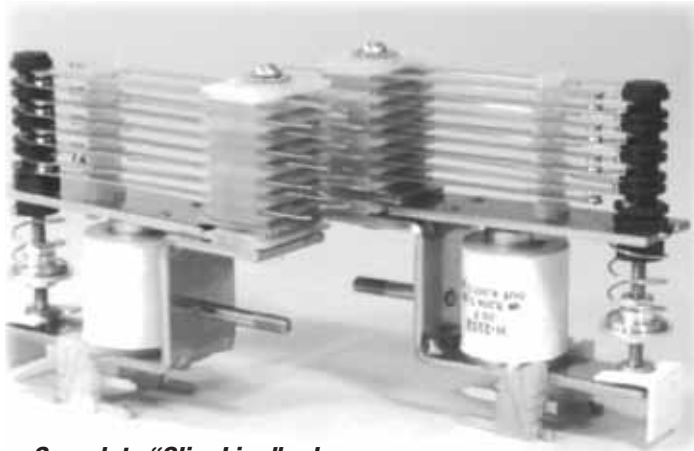
OVP2112 VALUE PAK

O521D

O521B

O521C

O521A



Complete "Slim Line" relay, part no. O29A62D7

If you are unsure of the Otis part no. for the relay you are replacing, you can still determine the proper Adams part number by following the guide below.

Adams part # = O - 2 9 A 2 6 F 7

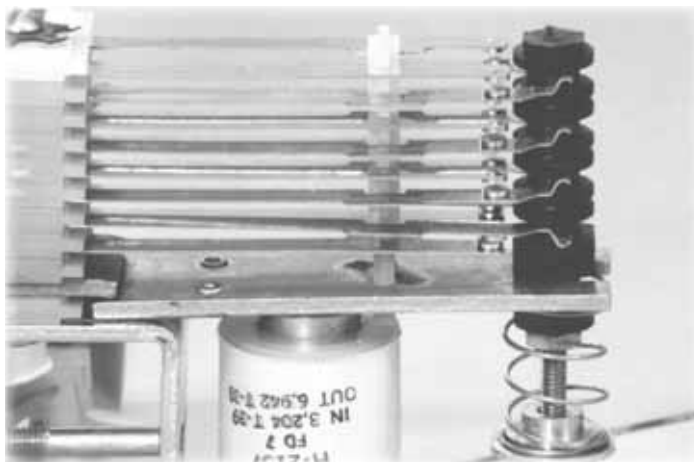
Type of relay (7058B)

Magnet arrangement
A = control or timing relay
C = self-holding relay

Type of coil
This number will appear on Otis coils preceded by 222F (Example: 222FF7)

No. of BREAKING contacts

No. of MAKING contacts



Detail of "Slim Line" make/break contacts

Adams Complete Replacement Relays for Otis "Slim Line"

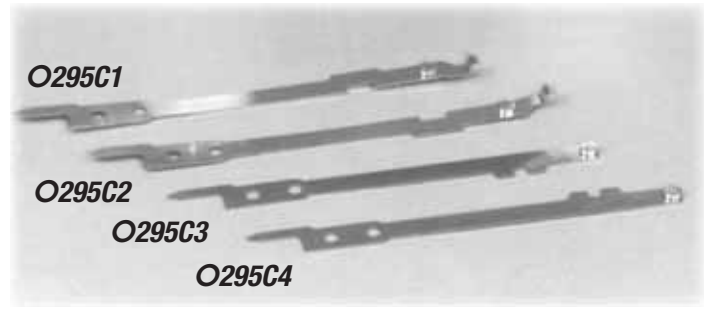
Our complete replacement relay, Otis Type 7058B-series "Slim Line", is only available WITH a coil. Order complete relay from the chart below or use the method described below left.

COMPLETE 7058B "SLIM LINE" RELAYS				
Adams part no.	Make/Break*	Includes Adams coil no.	Replaces Otis part no.	Supersedes Otis no.
Control or Timing Relay				
O29A08F7	0M 8B	H2107	7058B108FF7	
O29A17F7	1M 7B	H2107	7058B117FF7	
O29A26F7	2M 6B	H2107	7058B126FF7	7058B124FF7
O29A26F8	2M 6B	H2108	7058B126FF8	
O29A35F7	3M 5B	H2107	7058B135FF7	
O29A35F8	3M 5B	H2108	7058B135FF8	
O29A44F7	4M 4B	H2107	7058B144FF7	7058B120FF7 7058B122FF7 7058B140FF7 7058B142FF7
O29A44F8	4M 4B	H2108	7058B144FF8	7058B120FF8 7058B122FF8 7058B142FF8
O29A44F9	4M 4B	H2109	7058B144FF9	
O29A44F11	4M 4B	H2111	7058B144FF11	7058B120FF11
O29A44F12	4M 4B	H2112	7058B144FF12	7058B120FF12
O29A44D7	4M 4B	H2157	7058B144FD7	7058B142FD7
O29A53F7	5M 3B	H2107	7058B153FF7	
O29A53F11	5M 3B	H2111	7058B153FF11	
O29A53F12	5M 3B	H2112	7058B153FF12	
O29A62F7	6M 2B	H2107	7058B162FF7	7058B160FF7
O29A62D7	6M 2B	H2157	7058B162FD7	
O29A71F7	7M 1B	H2107	7058B171FF7	
O29A80F7	8M 0B	H2107	7058B180FF7	
Self-Holding Relay				
O29C08D8	0M 8B	H2158	7058B208FD8	
O29C17D8	1M 7B		7058B217FD8	
O29C26D8	2M 6B		7058B226FD8	
O29C35D8	3M 5B	H2158	7058B235FD8	
O29C44D4	4M 4B	H2154	7058B244FD4	7058B222FD4
O29C44D8	4M 4B	H2158	7058B244FD8	7058B220FD8 7058B222FD8 7058B240FD8 7058B242FD8
O29C53D4	5M 3B	H2154	7058B253FD4	
O29C53D8	5M 3B	H2158	7058B253FD8	
O29C62D4	6M 2B	H2154	7058B262FD4	
O29C62D8	6M 2B	H2158	7058B262FD8	7058B260FD8
O29C71D8	7M 1B		7058B271FD8	
O29C80D8	8M 0B		7058B280FD8	

*MAKING contacts are normally open and BREAKING contacts are normally closed.



Pile-up assembly, part no. O295P9



O295C1

O295C2

O295C3

O295C4

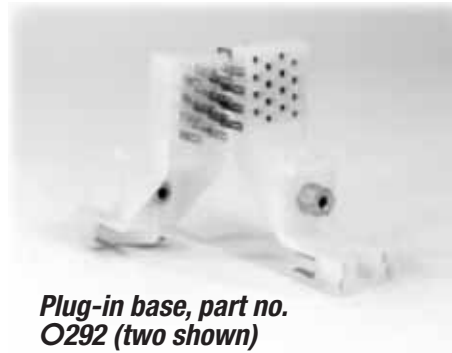
7055C PILE-UP ASSEMBLIES

Adams part no.	Make/Break	Used on relay 7058B	Replaces Otis part no.	Supercedes Otis no.
O295P1	0M 8B	108, 208	7055C081	
O295P2	1M 7B	117, 217	7055C171	
O295P3	2M 6B	126, 226	7055C261	
O295P4	3M 5B	135, 235	7055C351	7055C205
O295P5	4M 4B	120, 220 124, 224 140, 240 142, 242 122, 222 144, 244	7055C441	7055C227 7055C241 7055C244 7055C406 7055C243
O295P6	5M 3B	153, 253	7055C531	7055C602
O295P7	6M 2B	160, 260 162, 262	7055C621	
O295P8	7M 1B	171, 271	7055C711	
O295P9	8M 0B	180, 280	7055C801	
O292	Plug-in base; incl. nut		306JL4	
O293S1	Compression spring, 1 1/4" L; see listing & photo on page 234		90XA14	

CONTACT ARMS WITH 5/32" SILVER CONTACTS*

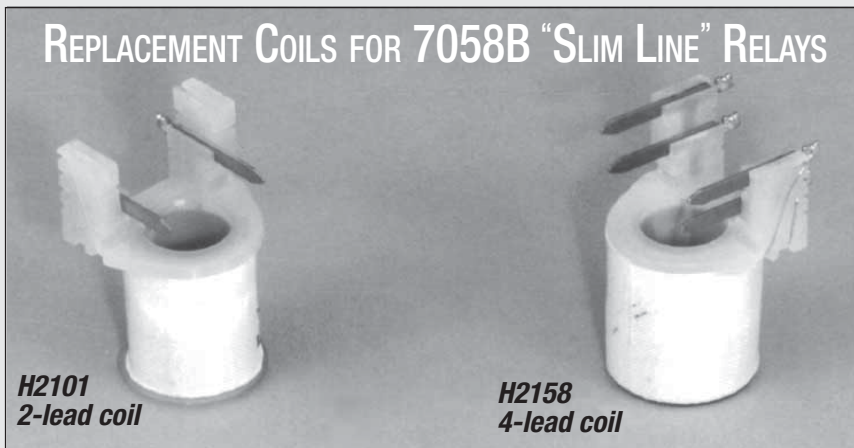
Adams part no.	Otis part no.	Description
O295C1	179CH2	Stationary, 4 11/64" L
O295C2	179CH4	Stationary, 4 11/64" L
O295C3	179CG2	Movable, 3 27/32" L
O295C4	179CG4	Movable, 3 27/32" L

*Sold only in packages of 10.



Plug-in base, part no. O292 (two shown)

REPLACEMENT COILS FOR 7058B "SLIM LINE" RELAYS



H2101
2-lead coil

H2158
4-lead coil

7058B REPLACEMENT COILS

Adams part no.	Replaces Otis no.	No. of turns/wire size
Two-Lead Coils		
H2101	222FF1	10,940/41
H2105	222FF5	2,736/35
H2106	222FF6	860/29
H2107	222FF7	12,432/40
H2108	222FF8	6,420/37
H2109	222FF9	9,345/39
H2111	222FF11	3,192/34
H2112	222FF12	4,136/36
H2113	222FF13	780/28
Four-Lead Coils		
H2154	222FD4	Inner: 1,776/40 Outer: 10,064/40
H2157	222FD7	Inner: 3,204/39 Outer: 6,942/39
H2158	222FD8	Inner: 644/41 Outer: 9,078/39



O2201CD2 Magnet Switch

Adams Replacements for Otis Heavy-Duty Switches

Adams manufactures and stocks the DC magnet switches that replace Otis Type B6754A & B, A6754Y, and E6754A, B, C, D & Y switches, as shown below. These switches/relays are replaced by Adams O2200-Series relays, illustrated on this page; replacement parts follow on the next pages.

Our complete heavy duty replacement switches are only available WITH COILS.

To order a complete switch: Identify the Adams part no. on the accompanying cross-reference chart. You can find the corresponding Otis switch number in the Otis Service Manual and on the back of the switch/relay being replaced.

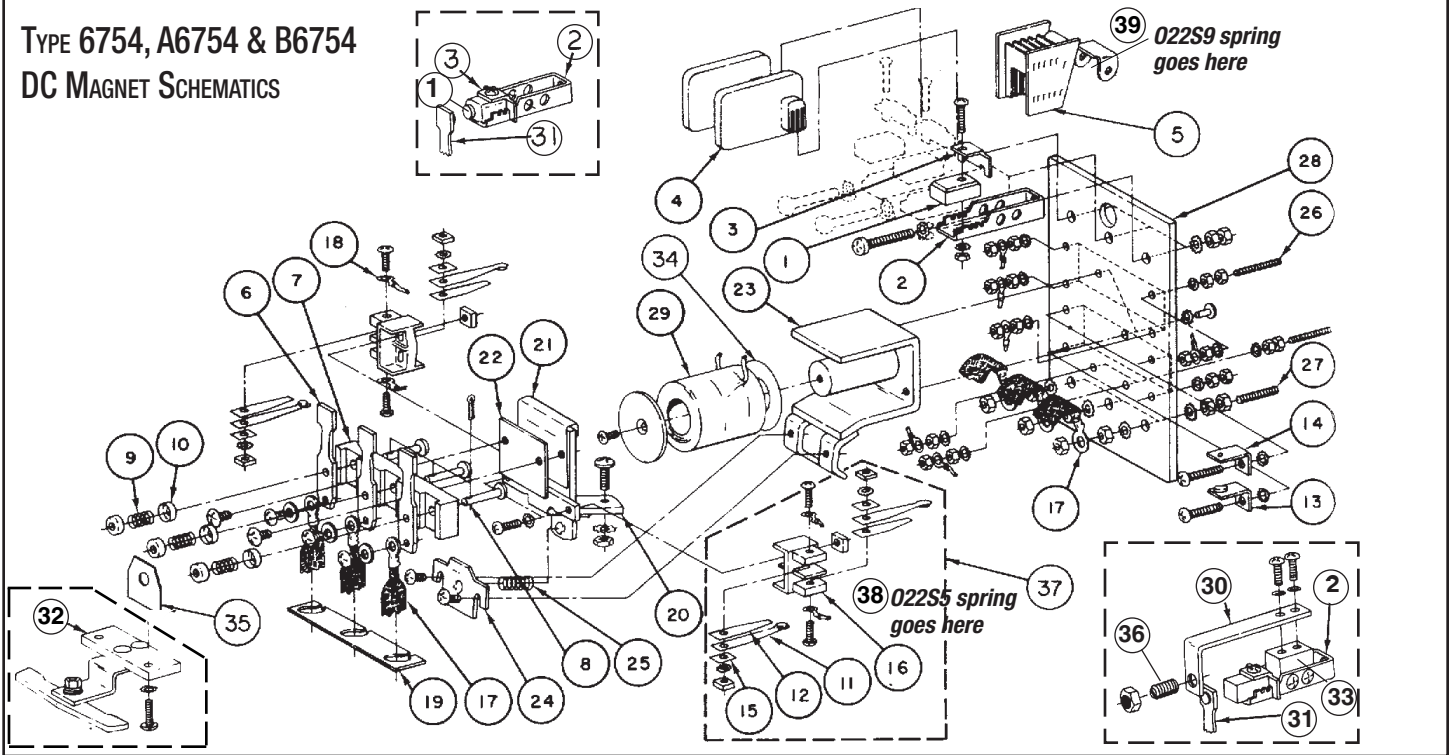
Or, use the chart below to identify the switch required and order by using the appropriate Adams part no. The chart also specifies type and number of main & auxiliary contacts, and whether the switch uses arc barriers or arc deflectors.

COMPLETE REPLACEMENTS FOR B6754A & B, AND A6754Y RELAYS											
Adams part no.	Otis part no.	Adams coil no.	Description†	Main contacts				Make/Break auxiliary contacts	Arc defl.	Arc barrier	
				Outside		Center Contact					
				Stationary	Movable	Stationary	Movable				
O2200CD1	B6754A121CD1	H6992	3	O22D1	O22C1	O22D1	O22C1	L&R	✓		
O2200CD2	B6754A121CD2	H6993		O22D1	O22C1	O22D1	O22C1	L&R	✓		
O2200CD3	B6754A121CD3	H6994		O22D1	O22C1	O22D1	O22C1	L&R	✓		
O2200CD4	B6754A121CD4	H7502	main making	O22D1	O22C1	O22D1	O22C1	L&R	✓		
O2201CD1	B6754A122CD1	H6992		O22D1	O22C1	O22D1	O22C1	L&R		✓	
O2201CD2	B6754A122CD2	H6993		O22D1	O22C1	O22D1	O22C1	L&R		✓	
O2201CD4	B6754A122CD4	H7502	2 main making	O22D1	O22C1	O22D1	O22C1	L&R		✓	
O2201CD5	B6754A122CD5	H6995		O22D1	O22C1	O22D1	O22C1	L&R		✓	
O2202CD1	B6754B120CD1	H6992		O22D1	O22C1	none	none	L&R	✓		
O2203CD3	A6754Y162CD3	H6994	1M, 2M/B	O22D1	O22C9	O22D1	O22C7	L&R*		✓	
COMPLETE REPLACEMENTS FOR E6754A, B, C, D & Y RELAYS											
O2210EB1	E6754A121EB1	H7601	3 main making	O22D1	O22C7	O22D1	O22C7	L&R	✓		
O2210EB2	E6754A121EB2	H7602		O22D1	O22C7	O22D1	O22C7	L&R	✓		
O2210EB3	E6754A121EB3	H7603		O22D1	O22C7	O22D1	O22C7	L&R	✓		
O2210EB4	E6754A121EB4	H7604		O22D1	O22C7	O22D1	O22C7	L&R	✓		
O2211EB1	E6754A122EB1	H7601		O22D1	O22C7	O22D1	O22C7	L&R		✓	
O2211EB2	E6754A122EB2	H7602		O22D1	O22C7	O22D1	O22C7	L&R		✓	
O2211EB4	E6754A122EB4	H7604		O22D1	O22C7	O22D1	O22C7	L&R		✓	
O2211EB5	E6754A122EB5	H7605		O22D1	O22C7	O22D1	O22C7	L&R		✓	
O2211EB6	E6754A122EB6	H7606		O22D1	O22C7	O22D1	O22C7	L&R		✓	
O2212EB1	E6754A222EB1	H7601	O22D3	O22C3	O22D3	O22C3	L&R		✓		
O2220EB1	E6754B120EB1	H7601	2 main making	O22D1	O22C7	none	none	L&R	none		
O2221EB1	E6754B121EB1	H7601		O22D1	O22C7			L&R			✓
O2222EB1	E6754B161EB1	H7601		O22D1	O22C7			L&R*			✓
O2230EB1	E6754C121EB1	H7601	2M 1M/B	O22D1	O22C7	O22D1 O22D4	O22C9	L&R	✓		
O2230EB2	E6754C121EB2	H7602	2M 1M/B	O22D1	O22C7	O22D1 O22D4	O22C9	L&R	✓		
O2231EB2	E6754C122EB2	H7602	2M 1M/B	O22D1	O22C7	O22D1 O22D4	O22C9	L&R		✓	
O2231EB4	E6754C122EB4	H7604	2M 1M/B	O22D1	O22C7	O22D1 O22D4	O22C9	L&R		✓	
O2232EB2	E6754C162EB2	H7602	2M 1M/B	O22D1	O22C7	O22D1 O22D4	O22C9	L&R*		✓	
O2233EB2	E6754D200EB2	H7602	2 break	O22D4	O22C3	none					
O2234EB6	E6754Y162EB6	H7606	1M 2M/B	O22D4 O22D1	O22C9	O22D1	O22C7	L&R*		✓	

† MAKING contacts are normally open and BREAKING contacts are normally closed.

*Left-hand with reduced air gap.

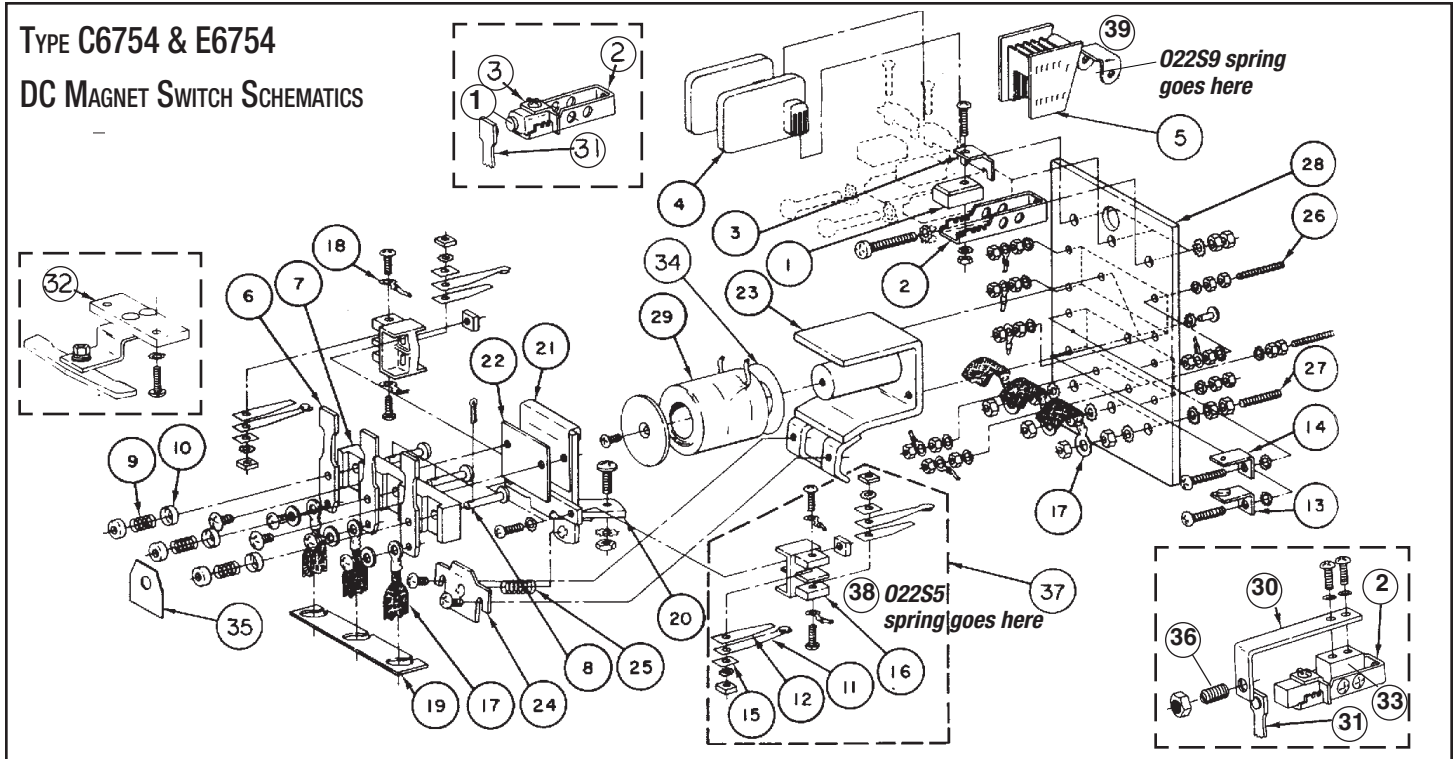
TYPE 6754, A6754 & B6754 DC MAGNET SCHEMATICS



REPLACEMENT PARTS FOR OTIS TYPE 6754, A6754 & B6754 RELAYS

Key no.	Adams part no.	Otis part no.	Description
1	O22D1 O22D2 O22D3	154AB1 154AB2 150AL3	Carbon contact Graphite contact Copper contact with 3/8" dia. silver tip
2	O22K1	A179AK3	Carbon holder with screw
3	O22K2	A336BR1	Carbon clamp
4	O22H1	276H1	Bakelite arc barrier
5	O22H2	6534B1	Arc deflector
6	O22C1 O22C3 O22C6 O22C11	153Z1 150Y4/Y8 153AE8 153AE10	Movable contact w/o tip Movable contact with 3/8" dia. silver tip Movable contact with 7/16" sq. silver tip Movable contact with 3/8" dia. silver tip and 7/16" sq. silver tip on reverse
7	O22B1	306BR1	Base for movable contacts
8	O22R1	141Y1	1" L rivet with cotter pin
9	O22S1 O22S6	90TA3 90YA25	Compression spring (making) Compression spring (break)
10	O22W1	133A6	Spring seat washer
11	O21C4	150P4	Movable contact for auxiliary
12	O21C5	93D2	Support blade for auxiliary
13	O22C4	150C13, 152AN1	Auxiliary stationary contact
14	O22C5	150C14, 152AN2	Auxiliary stationary contact
15	O22W2	128H1	Washer
16	O22B2	306CJ1	Auxiliary contact base
17	O546B	176KA13	Copper braid connector

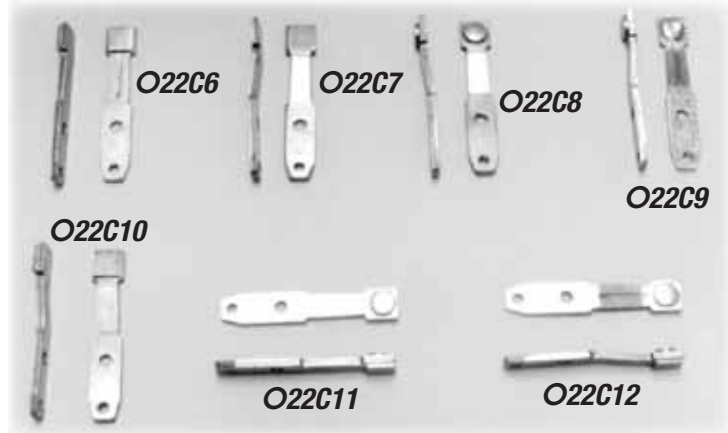
Key no.	Adams part no.	Otis part no.	Description
18	O521A	175J88	3 3/4" L insulated connector
19	O22T1	464BJ2	Fiber separator, 3 1/8" x 5/8"
20	O22A2	A245AE1	Magnet armature
21	O22A3	384FS1	Brass guard
22	O22A4	384EW2	Phenolic guard
23	O22A1	A374CP1	Frame assembly with magnet core and washer
24	O22A5	A477BL1	Stop
25	O22S2 O22S3 O22S7 O22S8	90VA16 90EB5 90KB14 90VA15	Kickoff spring Kickoff spring for 6754Y switch Kickoff spring (breaking contact) Kickoff spring (for 2M/1B switch)
26	O21P2	99G1	Terminal stud, 1 3/8" L
27	O22P3	99G2	Terminal stud, 2" L
28	O22P1	A433Z1	Panel
29	Hxxxx	222xxx	Coil (see pages 216-217)
30	O22K3	179AM1	Stationary contact holder
31	O22C3	150Y4	Movable contact with 3/8" dia. silver tip
32	O22J1	6543C	Interlock ("airplane")
33	O22K3B	306CP1	Insulator
34	O22A6	129BR2	Phenolic washer for coil
35	O21T1	102DA1	I.D. tag
36	O22D4	150W6	Threaded contact with 3/8" dia. silver tip and jamb nut
37	O22BA1 O22BA2	6810A1 6810A3	Auxiliary contact assembly w/o coil spring Auxiliary contact assembly with coil spring
38	O22S5	90LA11	Compression spring for auxiliary contact assembly
39	O22S9	90PA4	Compression spring for arc deflector



REPLACEMENT PARTS FOR OTIS TYPE C6754 AND E6754 RELAYS

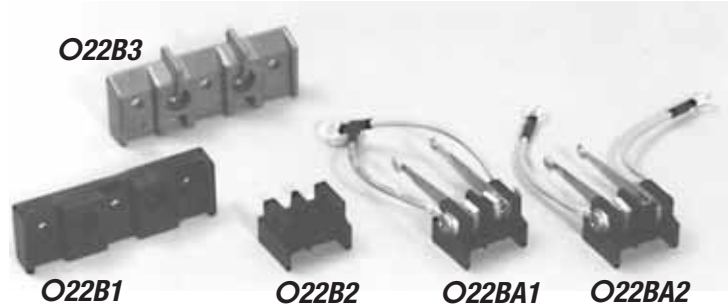
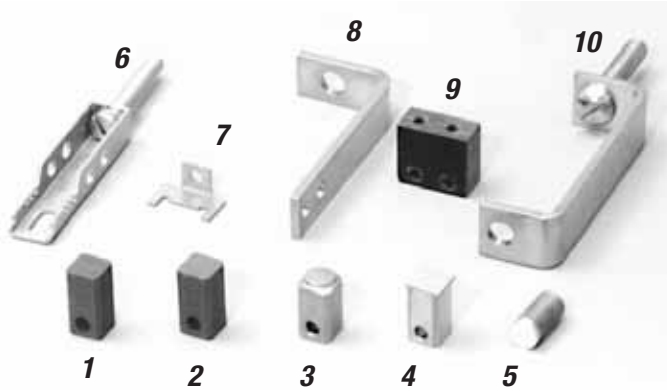
Key no.	Adams part no.	Otis part no.	Description
1	O22D1	154AB1	Carbon contact
	O22D2	154AB2	Graphite contact
	O22D3	150AL3	Copper contact with 3/8" dia. silver tip
2	O22K1	A179AK3	Carbon holder with screw
3	O22K2	A336BR1	Clamp for carbon
4	O22H1	276H1	Bakelite arc barrier
5	O22H2	6534B1	Arc deflector
6	O22C2	—	Movable contact, offset, with 3/8" square copper tip; 2 3/4"L
	O22C3	150Y4/Y8	Movable contact with 3/8" dia. silver tip
	O22C6	153AE8	Movable contact with 7/16" square silver contact; 2 3/4"L
	O22C7	153Z4	Movable contact, offset, without contact; 2 3/4"L
	O22C8	150Y6	Movable contact, offset, with 3/8" dia silver tip; 2 3/4"L
	O22C9	150Y7	Same as O22C8 with silver contact on reverse
7	O22B3	306BR2	Red phenolic base for movable contacts
8	O22R1	141Y1	1"L rivet with cotter pin
9	O22S4	90BB19	Compression spring (make)
10	O22W1	133A6	Spring seat washer
11	O21C4	150P4	Movable contact for auxiliary
12	O21C5	93D2	Support blade for auxiliary
13	O22C4	150C13, 152AN1	Auxiliary stationary contact
14	O22C5	150C14, 152AN2	Auxiliary stationary contact
15	O22W2	128H1	Washer

Key no.	Adams part no.	Otis part no.	Description
16	O22B2	306CJ1	Auxiliary contact base
17	O546B	176KA13	Copper braid connector
18	O521A	175J88	3 3/4"L insulated connector
19	O22T1	464BJ2	Fiber separator, 3 1/8"x5/8"
20	O22AM2	B245AE1	Magnet armature
21	O22AM3	A384FS1	Brass guard
22	O22AM4	384EW3	Phenolic guard
23	O22AM1	B374CP1	Frame assembly with magnet core & washer
24	O22A5	A477BL1	Stop
25	O22S2	90VA16	Kickoff spring for make switches
26	O21P2	99G1	Terminal stud, 1 3/8"L
27	O22P3	99G2	Terminal stud, 2"L
28	O22P1	A433Z1	Panel
29	Hxxxx	222xxx	Coil (see page 216-217)
30	O22K3	179AM1	Stationary contact holder
31	O22C3	150Y4	Movable contact with 3/8" dia silver tip; 2 3/4"L
32	O22J1	6543C	Interlock ("airplane")
33	O22K3B	306CP1	Insulator
34	O22AM5	129BR4	Phenolic washer for coil
35	O21T1	102DA1	I.D. tag
36	O22D4	150W6	Threaded contact with 3/8"-dia. silver tip and jamb nut
37	O22BA1	6810A1	Auxiliary contact assembly without compression spring
	O22BA2	6810A3	Auxiliary contact assembly with O22S5 compression spring
38	O22S5	90LA11	Compression spring for auxiliary contact assembly
39	O22S9	90PA4	Comp. spring for arc deflector



MOVABLE & AUXILIARY CONTACT ARMS		
Adams part no.	Otis part no.	Description
O22C1 O22C2	153Z1	Movable contact arm, 2 ³ / ₄ "L Movable contact arm, 2 ³ / ₄ "L; offset ³ / ₃₂ "; ³ / ₈ " x ³ / ₈ " x ³ / ₃₂ " contact tip
O22C3 O22C4	150Y4, Y8 150C13,	Movable contact arm, 2 ³ / ₄ "L; ³ / ₈ " dia. silver contact Auxiliary contact, ⁷ / ₁₆ " x ¹³ / ₁₆ "; ¹ / ₄ " dia. silver tip on 152AN1 outside surface of "L"
O22C5	150C14, 152AN2	Same as O22C4 with tip on inside surface of "L"

MOVABLE CONTACT ARMS, 2 ³ / ₄ "L				
Adams part no.	Otis part no.	Silver contacts		³ / ₃₂ " offset
		Side A	Side B	
O22C6	153AE8	⁷ / ₁₆ " sq. silver	none	N
O22C7	153Z4	none	none	Y
O22C8	150Y6	none	³ / ₈ " dia. silver	Y
O22C9	150Y7	³ / ₈ " dia. silver	none	Y
O22C10	153AE9	none	⁷ / ₁₆ " sq. silver	Y
O22C11	153AE10	³ / ₈ " dia. silver	⁷ / ₁₆ " sq. silver	N
O22C12	153AE11	³ / ₈ " dia. silver	⁷ / ₁₆ " sq. silver	Y

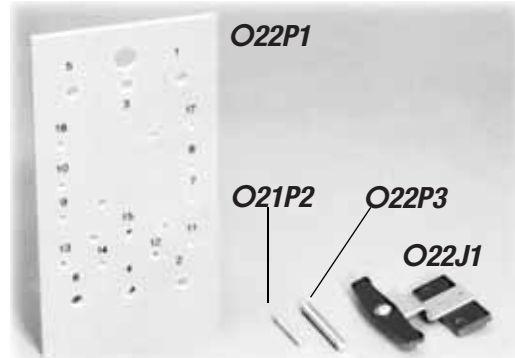
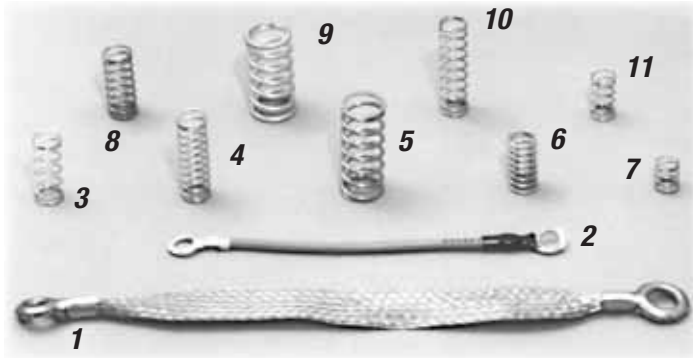


CONTACTS, HOLDERS, CLAMPS			
Photo key	Adams part no.	Otis part no.	Description
1	O22D1	154AB1	Carbon contact w/ ⁵ / ₃₂ " mounting hole; ⁷ / ₁₆ " x ⁷ / ₁₆ " x ²⁹ / ₃₂ "
2	O22D2	154AB2	Metal/graphite contact; same as above
3	O22D3	150AL3	Copper contact w/ ³ / ₈ " dia. silver tip; ⁷ / ₁₆ " x ⁷ / ₁₆ " x ¹³ / ₁₆ "
4	O22D5	153AE6	Stationary copper contact w/ ⁷ / ₁₆ " sq. silver tip; ¹³ / ₁₆ "L
5	O22D4	150W6	Threaded contact w/silver tip; ³ / ₈ " dia. x 24 threads, ¹³ / ₁₆ "L
6	O22K1	A179AK3	Carbon holder for O22D1 & D2
7	O22K2	A336BR1	Carbon clamp for O22K1
8	O22K3	179AM1	Stationary contact holder
9	O22K3B O22K3X	306CP1	Insulator
10	O22K3X	179AL2	Holder for O22D4 threaded contact

BASES & AUXILIARY CONTACT ASSEMBLIES		
Adams part no.	Otis part no.	Description
O22B1	306BR1	Bakelite base for O22C-series contacts; 1" x ⁷ / ₁₆ " x ³ / ₁₆ "
O22B2 O22B3	306CJ1 306BR2	Bakelite base for auxiliary contacts Red phenolic base for O22C-series offset contacts, O2210 relay
O22BA1 O22BA2	6810A1 6810A3	Auxiliary contact assembly w/o compression spring Auxiliary contact assembly w/compression spring

REPLACEMENT COILS

C6754 & E6754 COILS		
Adams part no.	Otis part no.	Description
H7601	222EB1	12890-36
H7602	222EB2	10818-35
H7603	222EB3	8820-34
H7604	222EB4	6864-33
H7605	222EB5	5546-32
H7606	222EB6	4301-31
H7607	222EB7	3595-30

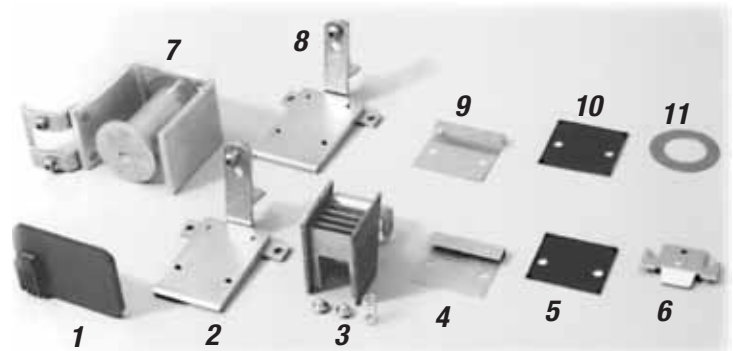
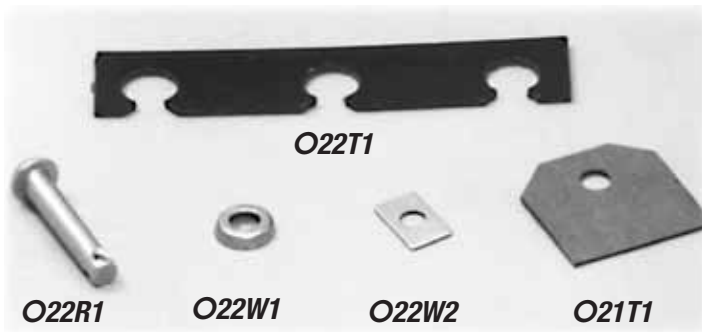


SPRINGS & CONNECTORS

Photo key	Adams part no.	Otis part no.	Description	Spring O.D.
1	O546B	176KA13	Copper braid connector, 7"L	
2	O521A	175J88	3 3/4"L silicone connector	
3	O22S1	90TA3	Compression spring	5/16"
4	O22S2	90VA16	Kickoff spring	2 1/64"
5	O22S3	90EB5	Compression spring	1 5/32"
6	O22S4	90BB19	Compression spring (make)	5/16"
7	O22S5	90LA11	Compression spring	1/4"
8	O22S6	90YA25	Compression spring	2 1/64"
9	O22S7	90KB14	Compression spring	1/2"
10	O22S8	90VA15	Compression spring	5/16"
11	O22S9	90PA4	Arc deflector spring	1 7/64"

MISCELLANEOUS REPLACEMENT RELAY PARTS

Adams part no.	Otis part no.	Description
O22P1	A433Z1	Panel
O21P2	99G1	Terminal stud, 1 3/8"L
O22P3	99G2	Terminal stud, 2"L
O22J1	6543C	Interlock



MISCELLANEOUS REPLACEMENT RELAY PARTS

Adams part no.	Otis part no.	Description
O22R1	141Y1	1"L rivet with cotter pin (not shown)
O22W1	133A6	Spring seat washer
O22W2	128H1	Washer
O21T1	102DA1	I.D. tag
O22T1	464BJ2	Fiber separator, 3 1/8" x 5/8"

MISCELLANEOUS REPLACEMENT RELAY PARTS

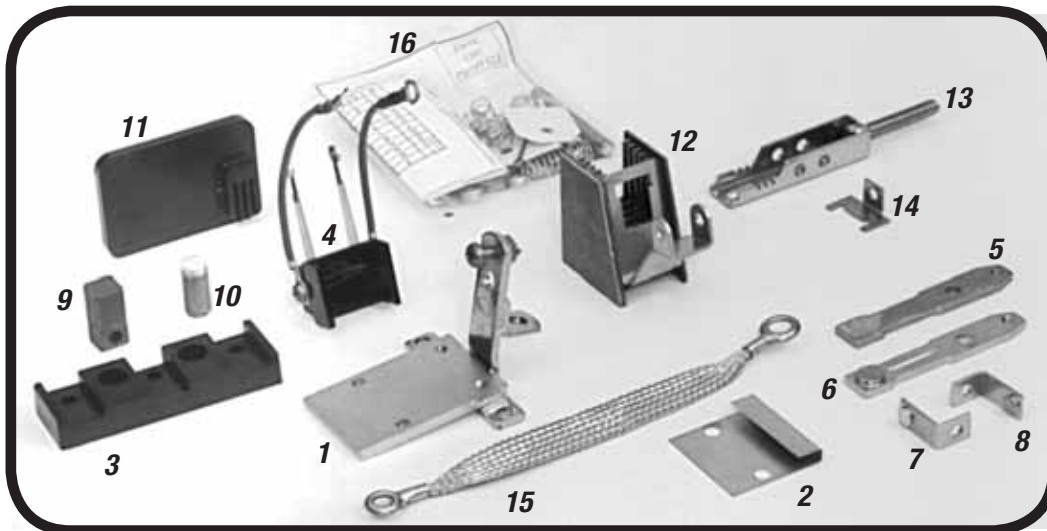
Photo key	Adams part no.	Otis part no.	Description
1	O22H1	276H1	Bakelite arc barrier
2	O22A2	A245AE1	Magnet armature; clapper dim.: 1 1/2" x 2 1/4" x 5/32" thick
3	O22H2	6534B1	Arc deflector, complete
4	O22A3	384FS1	Brass guard
5	O22A4	384EW2	Fiber guard
6	O22A5	A477BL1	Stop
7	O22AM1	B374CP1	Magnet core frame with 131AY1 magnet core washer
8	O22AM2	B245AE1	Magnet armature; clapper dim.: 1 9/16" x 2 7/16" x 3/16" thick
9	O22AM3	A384FS1	Brass guard
10	O22AM4	384EW3	Fiber guard
11	O22AM5	129BR4	Fiber washer for coil
—	O22N1	—	Nut for auxiliary contact (not shown)

6754 COILS

Adams part no.	Otis part no.	Description
H6992	222CD1	13025-36
H6993	222CD2	18025-35
H6994	222CD3	4870-32
H6995	222CD5	3675-30
H7502	222CD4	7000-33



REPAIR PAK FOR ADAMS O2200 SWITCHES



Best use: Keep one or more Repair Pak at every job site ...and eliminate trips back to the warehouse.

Adams part no. OK2220 Repair Pak.

Contains items (1) thru (16).

Photo key	Adams part no.	Otis part no.	Description	Quantity
1	O22A2	A245AE1	Armature	1
2	O22A3	384FS1	Brass guard	2
3	O22B1	306BR1	Movable contact base	1
4	O22BA1	6810A1	Auxiliary contact assembly	2
5	O22C1	153Z1	Movable copper contact	15
6	O22C3	150Y4, Y8	Movable copper contact with 3/8" dia. silver tip	6
7	O22C4	150C13	Stationary auxiliary contact	2
8	O22C5	150C14	Stationary auxiliary contact	2
9	O22D1	154AB1	Stationary carbon contact	15
10	O22D4	150W6	Stationary threaded contact with 3/8" dia. silver tip	6
11	O22H1	276H1	Arc barrier	2
12	O22H2	6534B1	Arc deflector	1
13	O22K1	179AK2	Carbon holder	1
14	O22K2	A336BR1	Carbon clamp	1
15	O546B	176KA13	Connector, 6 3/8"L	3
16	OVP2205*	—	Assorted hardware & springs*	1 pkg

*See below for description.

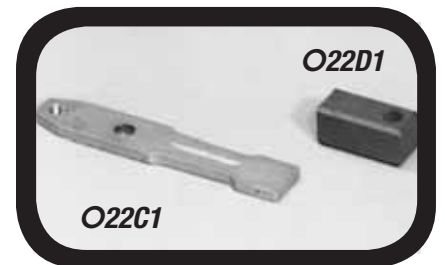
VALUE PAKS FOR ADAMS O2200 SWITCHES

Each of the Paks described below features 10-250 each of the contacts and hardware you need most to repair Otis 6754-series switches.



OVP2205 Hardware Pak. Incl. All parts listed to the right.

Adams part no.	Otis part no.	Description	Qty.
O21P2	99G1	Terminal stud, 1 3/8"L	20
O22P3	99G2	Terminal stud, 2"L	20
O22R1	141Y1	Rivet for O22S1, 1 1/8"L	10
O22S1	90TA3	Compression spring	50
O22S2	90VA16	Compression spring	20
O22T1	464BJ2	Fiber separator	50
O22W2	128H1	Washer	50
—	—	#8-32 nuts	100



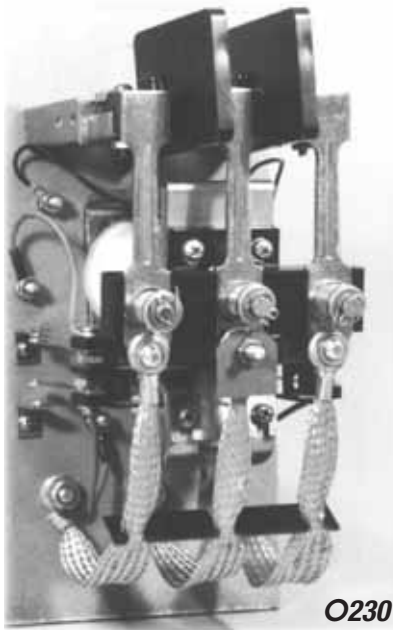
Each Value Pak consists of 100 or 250 ea. of the following contacts:

Adams part no.	Otis part no.	Description
O22C1	153Z1	Movable copper, 2 3/4"L
O22D1	154AB1	Stationary carbon

OVP2201 Value Pak. 100 of each.

OVP2202 Value Pak. 250 of each.

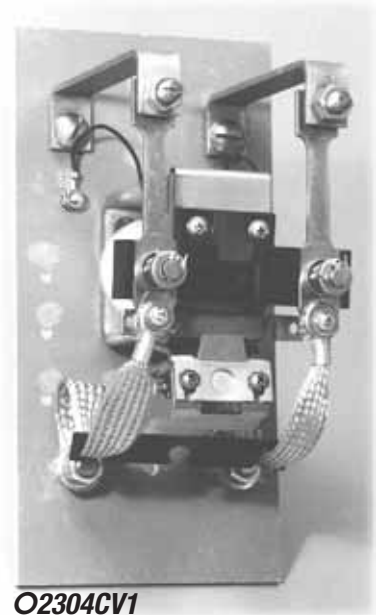
Adams Replacement Heavy-Duty 02300-Series Line Starter Switches



O2301CV1



O2300CV1



O2304CV1

Adams stocks DC magnet switches to replace the popular Otis E6830A, B & D models listed below. All switches are pre-fitted with coils.

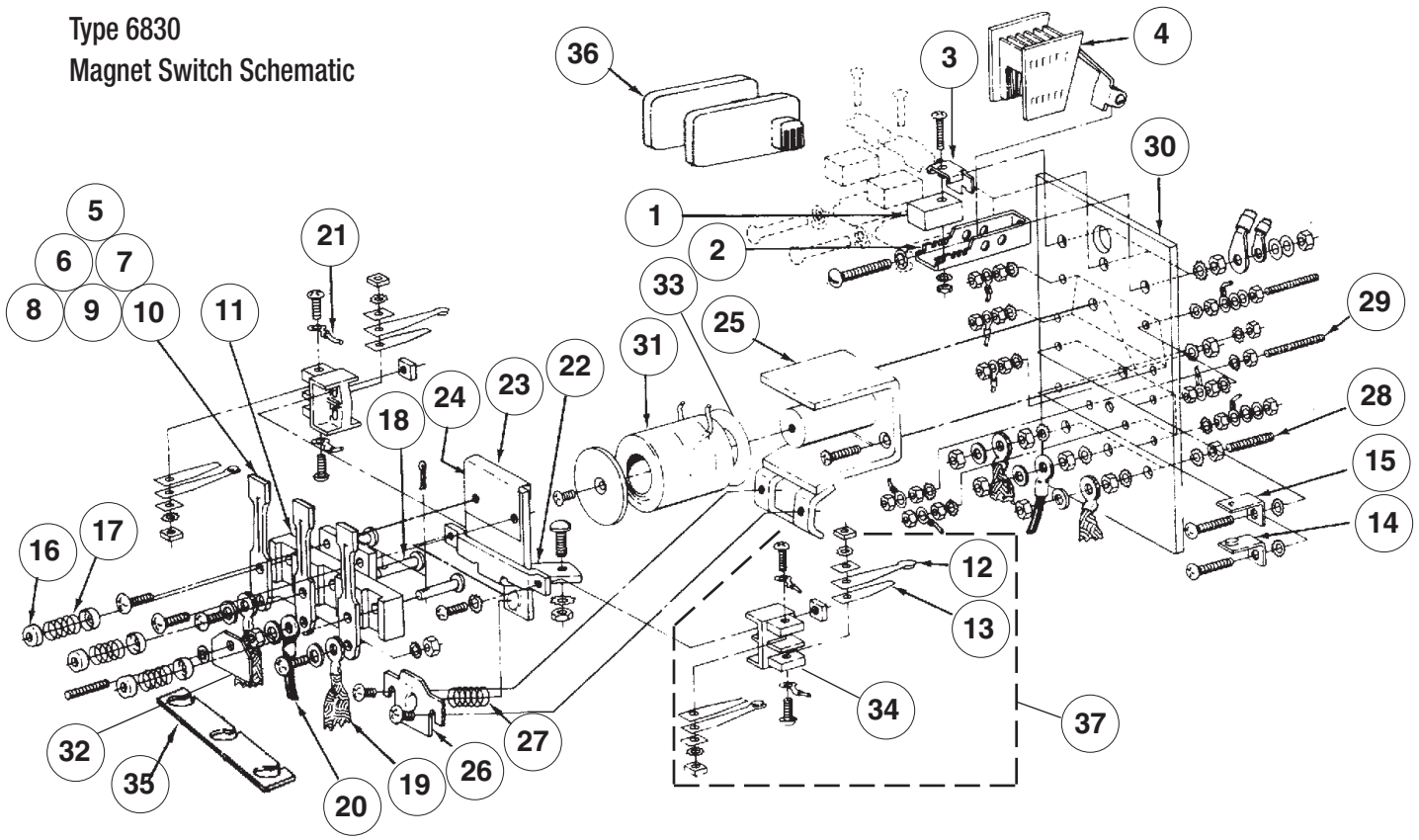
To order, identify the Adams part no. on the cross-reference chart below. (You will find corresponding Otis part nos. in your Otis Service Manual and on the back of the Otis switch being replaced.) The chart also shows type and number of main contacts, auxiliary contacts, and whether the switch uses arc barriers or deflectors.

E6830A, B & D RELAYS								
Adams part no.	Otis part no.	Adams coil no.	Description†	Main contacts		Make/Break auxiliary contacts	Arc defl.	Arc barrier
				Stationary	Movable			
O2300CV1	E6830A141CV1	H6989	3 main MAKING	O23D1	O23C1	L&R	✓	
O2300CV3	E6830A141CV3	H6991		O23D1	O23C1	L&R	✓	
O2300CV4	E6830A141CV4	H6997		O23D1	O23C1	L&R	✓	
O2301CV1	E6830A142CV1	H6989	3 MAKING	O23D1	O23C1	L&R		✓
O2302CV1	E6830A241CV1	H6989		O23E1	O23C6	L&R	✓	
O2302CV4	E6830A241CV4	H6997	3 MAKING	O23E1	O23C6	L&R	✓	
O2303CV1	E6830B181CV1	H6989	2 BREAKING	O23D1	O23C1	L&R*	✓	
O2304CV1	E6830D200CV1	H6989	2 BREAKING	O27C15	O23C4	none		

† MAKING contacts are normally open and BREAKING contacts are normally closed.

*Left side with reduced air gap.

Type 6830 Magnet Switch Schematic



REPLACEMENT PARTS FOR OTIS TYPE 6830 RELAYS

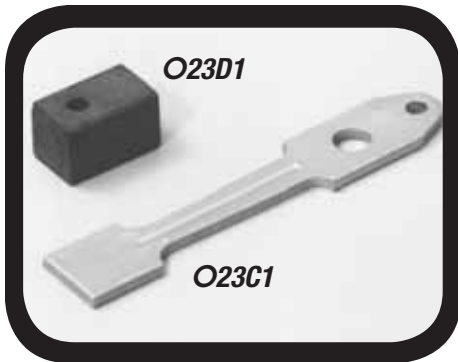
Key no.	Adams part no.	Otis part no.	Description
1	O23D1	154C1	Carbon contact
	O23D2	154C2	Metal/graphite contact
	O23E1	150AK3	Copper contact with 1/2"-dia. silver contact (not shown)
	O23E2	150AE5	Copper contact with 5/8"-sq. silver contact (not shown)
2	O23K1X	179P2	Carbon holder w/o screw, for blowout
	O23K1 O23K2	179P3 A336Z1	Carbon holder w/mounting screw Carbon clamp
3	O23H1 O23C1 O23C2	6313A1 153B1 —	Arc deflector Contact arm w/o contact, 4 3/16"L Contact arm with 1/2"-sq. silver contact; 4 3/16"L
4	O23C3	—	Contact arm with 1/2"-dia. silver contact; 4 3/16"L
5	O23C4	150Y2, Y5	Contact arm with 3/8"-dia. silver contact; 4 3/16"L
6	O23C5	153AE7	Contact arm, 1/8" offset; 4 3/16"L; includes 5/8"-sq. copper contact
	153AG6	153AG6	Same as O23C5, w/o offset
7	O23C6	150AK2	Contact arm with 1/2"-dia. silver contact, 1/8" offset; 4 3/16"L
8	O23B1	306CL1	Base, 1" x 9/16" x 4 1/16"L
9	O24C3	93A2	Movable auxiliary contact arm
10	O23C7	93AD1	Contact backing spring
11	O22C4	150C13	Stationary auxiliary contact

Key no.	Adams part no.	Otis part no.	Description
12	O22C5	150C14	Stationary auxiliary contact
13	O23W1	133A1	Spring seat washer
14	O23S1	90DB4	Compression spring
15	O23R1	141Y2	Rivet, 1 1/8"L
16	O545B	176KA10	Copper braid connector, 7"L
	O530	175H1	Connector (alternate), 7 1/2"L
		175J150	Silicone connector, 4 1/4"L
17	O23A2	A245AA1	Armature magnet
18	O23A3	384FX1	Brass guard
19	O23A4	384EW1	Fiber guard
20	O23A1	A374FM2	Magnet frame w/core plus 131BD1 washer
21	O23A5	A477BP1	Stop
22	O23S3	90BB8	Compression spring
23	O21P2	99G1	Terminal stud, 1 3/8"L
24	O22P3	99G2	Terminal stud, 2"L
25	O23P1	433AB1	Switch panel
	Hxxxx O21T1	222--- 102DA1	Coil (see coils, p. 226-227) I.D. tag
26	O23A6	129BR3	Phenolic washer for coil
27	O22B2	306CJ1	Base for auxiliary contact
28	O23T1	464BJ3	Fiber separator
29	O23H2	276B1	Arc barrier
30	O23BA1	6810A2	Auxiliary contact assembly without coil spring
	O23BA2	6810A5	Auxiliary contact assembly with coil spring (not shown)

VALUE PAKS FOR ADAMS O2300 MAGNET SWITCHES

Each of the Paks described below features 100 or 250 each of the contacts needed most to repair Otis 6830-series switches.

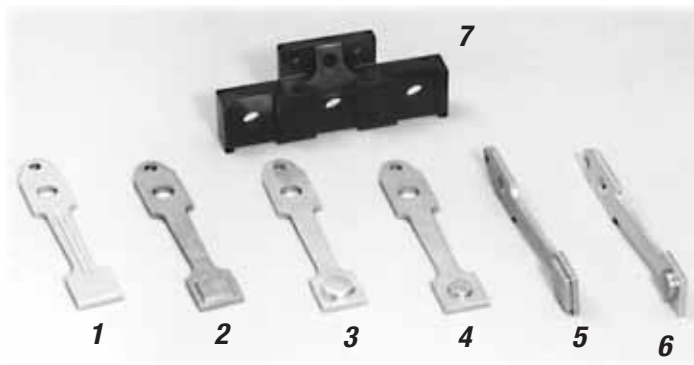
Each Value Pak consists of 100 or 250 ea. of the following:



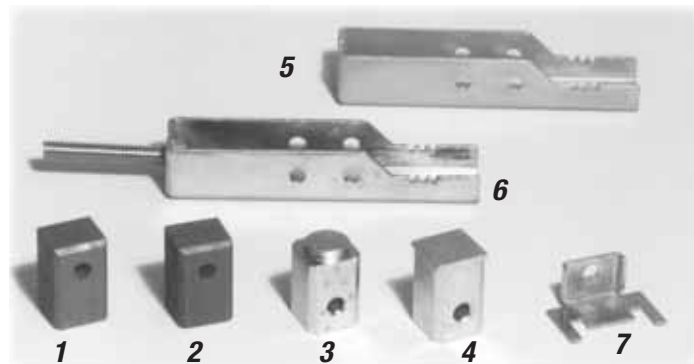
Adams part no.	Otis part no.	Description
O23C1	153B1	Movable contact arm
O23D1	154C1	Stationary carbon contact

OVP2301 Value Pak, 100 pcs. of each.

OVP2302 Value Pak, 250 pcs. of each.



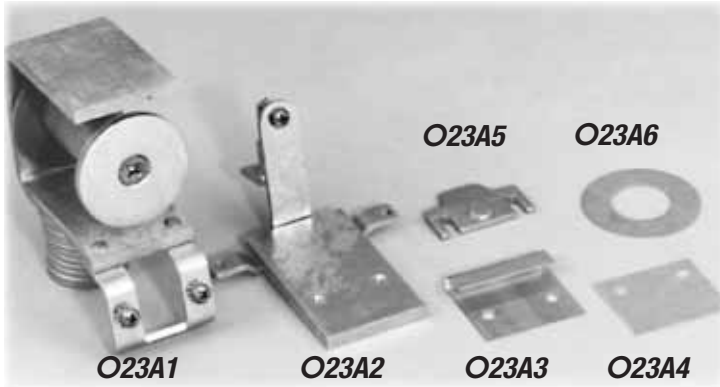
O2300 COPPER CONTACTS (4^{3/16}"L)			
Key no.	Adams part no.	Otis part no.	Description
1	O23C1	153B1	Contact arm
2	O23C2	—	Contact arm w/1/2"-sq. silver contact
3	O23C3	—	Contact arm w/1/2"-dia. silver contact
4	O23C4	150Y2, 150Y5	Contact arm w/3/8"-dia. silver contact
5	O23C5	153AE7	Contact arm (1/8" offset) with 5/8"-sq. copper contact
6	O23C6	150AK2	Contact arm (1/8" offset) with 1/2"-dia. silver contact
7	O23B1	306CL1	Bakelite base for O23C-series contact arms; 1" x 9/16" x 4 1/16"



CONTACTS, HOLDERS			
Key no.	Adams part no.	Otis part no.	Description
1	O23D1	154C1	Carbon contact with 9/16"-dia. mounting hole; 5/8" x 5/8" x 1 1/32"L
2	O23D2	154C2	Metal/graphite contact; 5/8" x 5/8" x 1 1/32"L
3	O23E1	150AK3	Copper contact with 1/2"-dia. silver face; 5/8" x 5/8" x 1"L
4	O23E2	150AE5	Copper contact with 5/8"-sq. silver face; 5/8" x 5/8" x 1"L
5	O23K1X	179P2	Carbon holder w/o screw, for blowout
6	O23K1	179P3	Carbon holder with screw for O23D1, D2; 5/8" inside width for carbon/contact
7	O23K2	A336Z1	Carbon clamp for O23K1

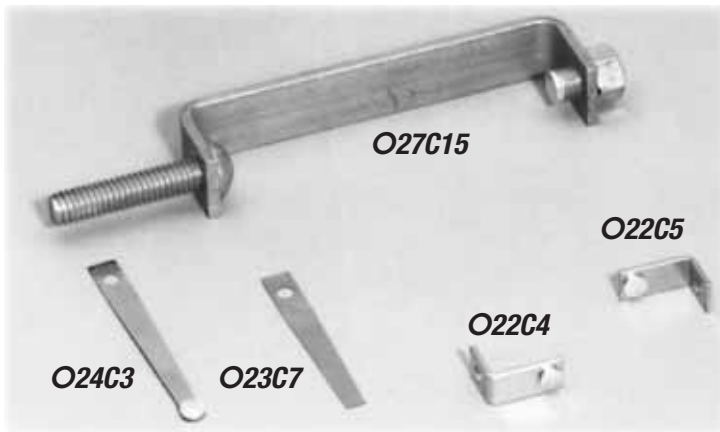


AUXILIARY CONTACT ASSEMBLIES		
Adams part no.	Otis part no.	Description
O23BA1	6810A2	Auxiliary contact assembly without coil spring
O23BA2	6810A5	Auxiliary contact assembly with coil spring (not shown)
O22B2	306CJ1	Bakelite base only for O23BA1 & BA2
O23H1	6313A1	Arc deflector, complete
O23H2	276B1	Arc barrier



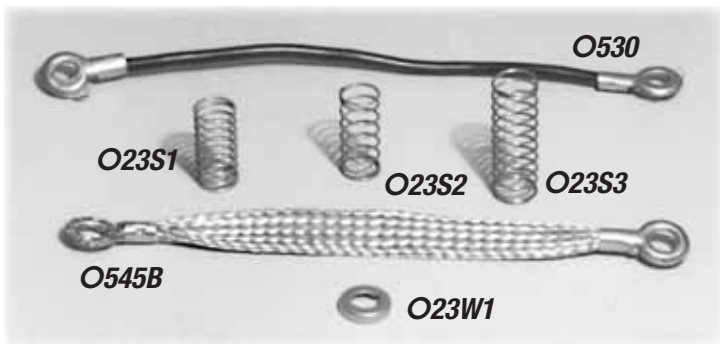
MISCELLANEOUS 02300 REPLACEMENT PARTS

Adams part no.	Otis part no.	Description
O23A1	374FM2	Magnet frame with core
O23A2	A245AA1	Magnet armature
O23A3	384FX1	Brass guard
O23A4	384EW1	Phenolic guard
O23A5	A477BP1	Stop
O23A6	129BR3	Phenolic washer for coil
O23P2	—	Threaded stud, 2 ³ / ₈ "L (not shown)



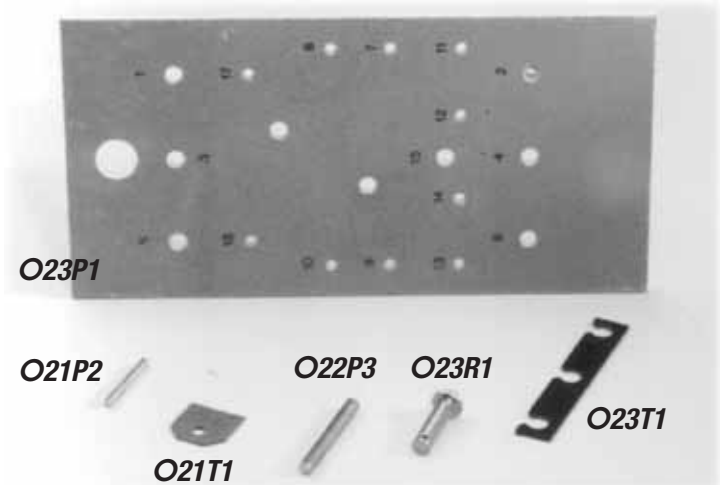
CONTACTS FOR 6830 RELAYS

Adams part no.	Otis part no.	Description
O24C3	93A2	Movable spring blade aux. contact arm; 2 ³ / ₄ "L w/ 1/4" dia. silver contact
O23C7	93AD1	Contact backing spring
O22C4	150C13	Stationary auxiliary contact with silver contact on outside of "L"
O22C5	150C14	Stationary auxiliary contact with silver contact on inside of "L"
O27C15	150W7	Contact holder assembly, 4 ³ / ₈ "L. Includes 3/8-16 x 2" threaded O22D4 silver contact (Otis no. 150W6); also use with O23E1 contact (Otis no. 150AK3); for E6830D magnet switch



SHUNTS & SPRINGS FOR 6830 RELAYS

Adams part no.	Otis part no.	Description
O23W1	133A1	Spring seat washer
O23S1	90DB4	Compression spring, 1 ¹ / ₈ "L x 1/2"OD
O23S2	90YA13	Compression spring, 1 ³ / ₁₆ "L x 1/2"OD
O23S3	90BB8	Compression spring, 1 ⁵ / ₈ "L x 3/16"OD
O545B	176KA10	Copper braid connector, 7"L
O530	175H1	Connector (alternate), 7 ¹ / ₂ "L

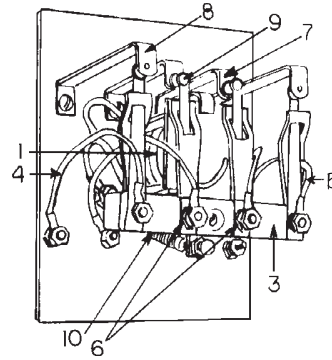


MISC. PARTS FOR 6830 RELAYS

Adams part no.	Otis part no.	Description
O21P2	99G1	Terminal stud, 1 ³ / ₈ "L
O21T1	102DA1	I.D. tag
O22P3	99G2	Terminal stud, 2"L
O23P1	433AB1	Switch panel, 9 ¹⁵ / ₁₆ "H x 5"W
O23R1	141Y2	Rivet, 1 ¹ / ₈ "L
O23T1	464BJ3	Fiber separator, 3 ³ / ₄ "L x 5/8"W

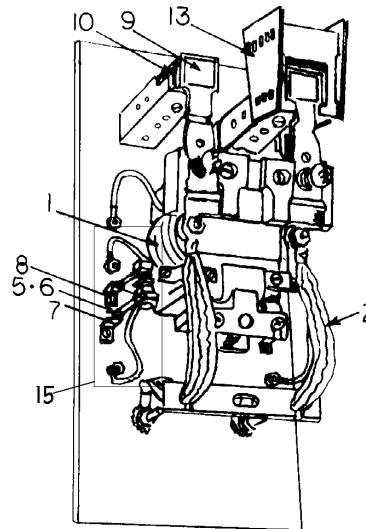
TYPE 6164 RELAY*

Key no.	Adams part no.	Otis part no.	Description
1	See page 246	—	Magnet coil
3	O24B1 O24B2	306LA1 306W1	Base, 4 contacts
4	O520A	175J1	Fabric shunt, 4 ³ / ₄ "L
5	O520B	175J2	Fabric shunt, 2 ¹ / ₂ "L
6	O521B	175J89	Silicone shunt, 4 ³ / ₄ "L
7	O24C1	150P7	Stationary contact, 2 ¹ / ₄ "L
8	O24C2	150P8	Stationary contact, 3 ¹ / ₆₄ "L
9	O24C3	93A2	Movable aux. contact
10	O24S1	91B1	Extension spring



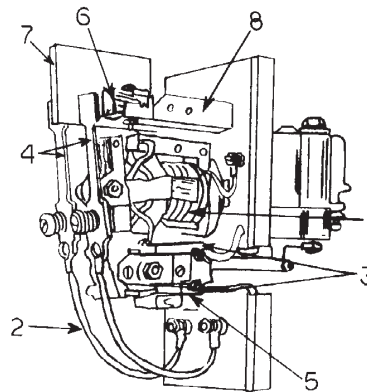
TYPE 6744A & B RELAY*

Key no.	Adams part no.	Otis part no.	Description
1	Magnet coil not available from Adams		
2	O544D	176KA8	Braided copper connector, 9 ³ / ₄ "L
5	O24C3	93A2	Movable auxiliary contact
6	O23C7	93AD1	Leaf spring contact
7	O22C4	150C13	Stationary auxiliary contact
8	O22C5	150C14	Stationary auxiliary contact
9	O26C1	153T1	Movable copper contact
10	O26D1	154AA1	Carbon contact
13	O26H1	6743A1	Arc deflector
15	O23BA1	6810A2	Auxiliary contact ass'y. w/o coil spring



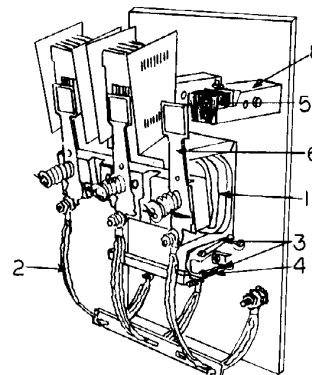
TYPE 6163 RELAY*

Key no.	Adams part no.	Otis part no.	Description
1	See page 247	—	Magnet coil
2	O530	175H1	Conductor, 7 ¹ / ₂ "L
3	O24C3	93A2	Movable auxiliary contact
4	O23C1	153B1	Copper contact
5	O21C4	150P4	Movable auxiliary contact
6	O23D1	154C1	Carbon contact
7	O23H2	276B1	Arc barrier
8	O23K1	179P3	Carbon holder



TYPE 6520 RELAY*

Key no.	Adams part no.	Otis part no.	Description
1	Magnet coil not available from Adams		
2	O544B	175KA3	Copper shunt, 13 ¹ / ₂ "L
3	O24C3	151A2	Movable auxiliary contact
4	O21C4	150P4	Movable auxiliary contact
5	O25D1	154G1	Carbon contact
6	O25C1	153D1	Movable copper contact
8	O25K1	179AD1	Carbon holder



* These magnet switches are not available as complete units because the Otis configuration mounted these relays directly to a large slate panel.

O24C5



O24C4



O24C3



O24C2



O24C1



O671B



O671S



O651



O669

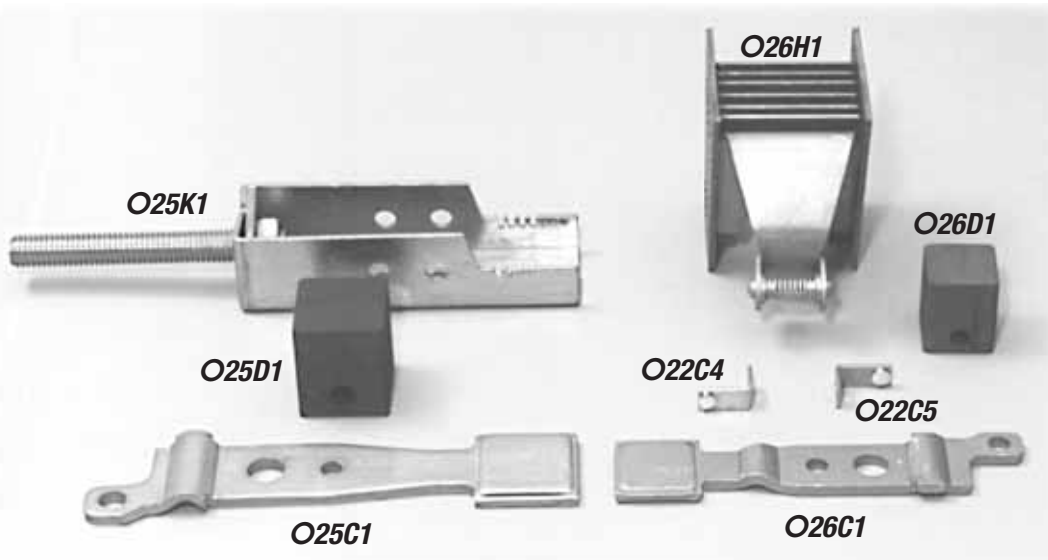


O650



6164 RELAY CONTACTS		
Adams part no.	Otis part no.	Description
O24C1	150P7	Contact arm with 1/4" dia. silver contact; 2 1/4"L
O24C2	150P8	Contact arm with 1/4" dia. silver contact; 3 3/4"L
O24C3	151A2	Spring blade with 1/4" dia. silver tip; 2 3/4"L
O24C4	150P13	Contact arm with 1/4" dia. silver contact; 2 3/4"L
O24C5	150P14	Contact arm with 1/4" dia. silver contact; 3 19/32"L

CAR SWITCH CONTROLLER CONTACTS		
Adams part no.	Otis part no.	Description
O650	1338	Type K car switch finger, 1/2" x 1 7/8"L
O651	103243	Type G car switch finger, 1/2" x 2 1/2"L
O669	1682	Brass contact, 1" x 2 5/8"L
O671B	1763	Door lock contact, brass; 1/2" x 2 1/8"L
O671S	1763	Door lock contact, steel; 1/2" x 2 1/8"L

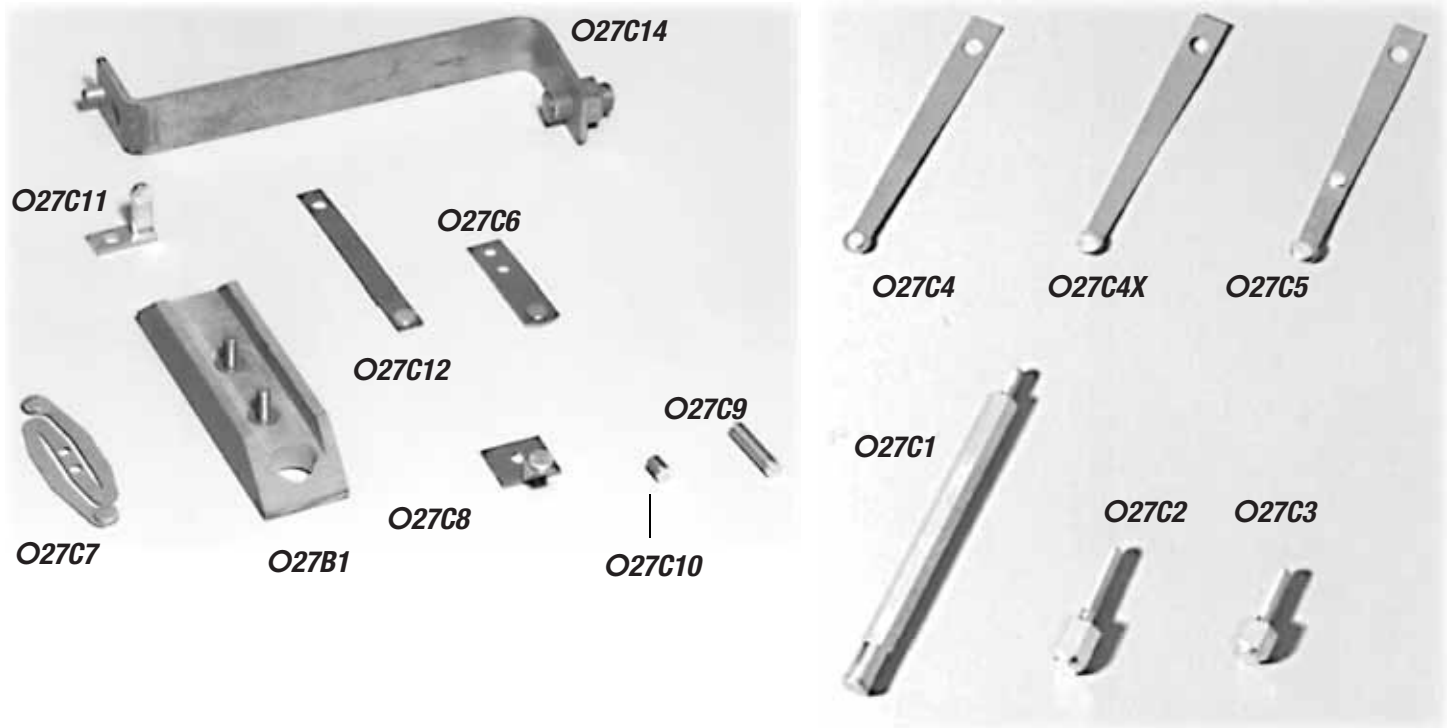


02500 RELAY PARTS*		
Adams part no.	Otis part no.	Description
O25C1	153D1	Movable contact arm, 6 1/2"L
O25D1	154G1	Carbon contact with 5/16" dia. hole; 1 1/2" x 1 1/4" x 1 1/4"
O25K1	179AD1	Carbon holder for O25D1; 1 7/16" x 1 7/16" x 5"

02600 RELAY PARTS*		
Adams part no.	Otis part no.	Description
O26C1	153T1	Movable contact arm, 5 1/2"L
O22C4	150C13	Stationary auxiliary contact
O22C5	150C14	Stationary auxiliary contact
O26D1	154AA1	Carbon/graphite contact, 5/16" dia. hole; 1 1/4" x 1" x 1"
O26H1	6743A1	Arc deflector

* These parts are for relays that are not pictured.

02700 RELAY COMPONENTS



02700 RELAY PARTS		
Adams part no.	Otis part no.	Description
O27C6	150H10	Contact with double silver tip
O27C7	150P22	Contact for lower base "G" and "GA" contacts
O27B1	306CE1	Base for upper contacts for "G" and "GA" contacts
O27C8	150P23	Contacts for O27B1 base; base w/contacts = Otis part no. 6759B1 assembly
O27C9	150BA3	Contact arm with silver contact, $\frac{3}{4}$ "L; 10-32 thread
O27C10	150BA4	Contact arm with silver contact, $\frac{9}{32}$ "L; 10-32 thread
O27C11	150H4	Stationary contact arm w/double $\frac{1}{4}$ " dia. silver contact; used on 6098 mechanical switch
O27C12	150H6	Double blade contact arm w/twin $\frac{1}{4}$ "-dia. silver contacts; $2\frac{13}{16}$ "L x $\frac{5}{16}$ "W; used on 6401 throw-over switch
O27C14	150W3	Contact arm with $\frac{3}{8}$ -24 threaded silver contact (part no. O22D4); $5\frac{1}{4}$ "L; used on 6163 magnet switch
O27C1	150C7	$\frac{1}{4}$ "-dia. hex contact with silver contact; $3\frac{1}{4}$ "L
O27C2	150C3	$\frac{5}{16}$ "-dia. hex contact with silver contact; $1\frac{1}{8}$ "L
O27C3	150C2	$\frac{5}{16}$ "-dia. hex contact with silver contact; $\frac{3}{4}$ "L
O27C4	150HA2	Leaf spring contact with $\frac{1}{8}$ "-dia. 2-sided silver contact; $2\frac{3}{4}$ "L
O27C4X	150H2	Same as O27C4, with $\frac{1}{4}$ "-dia. 2-sided silver contact used on 6098 mechanical switch and 6401 throw-over switch
O27C5	150HA3	Leaf spring contact with $\frac{1}{4}$ "-dia. 2-sided silver contact and $\frac{1}{8}$ "-dia. contact on 1 side $\frac{15}{16}$ " from tip; $2\frac{3}{4}$ "L

Adams Replacement Coils

Adams stocks a large line of direct replacement coils for OEM models. Our stock consists of replacement coils for new Otis installations as well as coils for older Otis equipment. All 222 series Otis Coils are DC.



H2158



H2154



H3303



H3302



H2112

A: SLIM LINE RELAYS

Adams part no.	Otis part no.	Description	Ω
2-lead coils			
H2101	222FF1	10940-41	3379
H2105	222FF5	2736-35	200
H2106	222FF6	860-29	15.8
H2107	222FF7	12432-40	3163
H2108	222FF8	6420-37	796
H2109	222FF9	9345-39	1849
H2111	222FF11	3192-34	194
H2112	222FF12	4136-36	394
H2113	222FF13	780-28	11.5
4-lead coils			
H2154	222FD4	Inner: 1776-40 Outer: 10064-40	392 2800
H2157	222FD7	Inner: 3204-39 Outer: 6942-39	575 1513
H2158	222FD8	Inner: 644-41 Outer: 9078-39	177 1915

B: 6204C1 REV. PHASE RELAYS

Adams part no.	Otis part no.	Description	Ω
H3301	222CC1	1520-26, 110V/60Hz	21.25
H3302	222CC2	1680-26, 110V/60Hz	24.9
H3303	222CC3	1930-27, 110V/50Hz	34.5

C: A6164 RELAYS

Adams part no.	Otis part no.	Description	Ω
H3754	222DF4	24 ¹ / ₂ -14	0.0139
H3756	222DF6	55 ¹ / ₂ -14	0.0358
H3757	222DF7	150 ¹ / ₂ -18	—
H3759	222DF9	90 ¹ / ₂ -16	0.0937

D: A6164BP RELAYS (3-LEAD COILS)

Adams part no.	Otis part no.	Description
H5328	222CX1	15320-39; Tap at 14800
H5329	222CX2	15320-39; Tap at 8980
6164 Relays		
H5371	222Z1	10335-37; Tap at 8090
H5373	222Z3	8115-36; Tap at 7410
H5374	222Z4	6360-35; Tap at 6065
H5375	222Z5	12750-38; Tap at 11960
H5378	222Z8	10515-37; Tap at 10165
6164BP Relays (2-lead coils)		
H5317	222CY1	15310-39
H5318	222CY2	10664-37
H5319	222CY3	3996-33
H5320	222CY4	1890-29
H7582	222CY5	884-26
H7505	222CY6	94-18E
H7507	222CY7	5470-38
H7585	222CY8	430-23
H7587	222CY10	5576-34
H7588	222CY11	8352-37

E: 6164 DC MAGNET SWITCHES

Adams part no.	Otis part no.	Description	Ω
H4615	222E15	950-27	11.6
H4620	222E20	1700-29	34.1
H4622	222E22	2150-30	54.0
H4623	222E23	2350-31	73.0
H4624	222E24	2600-31	83.0
H4629	222E29	4500-34	278.0
H4631	222E30	5000-34	320.0
H4632	222E31	5600-35	437.0
H4633	222E17	1190-28	18.3
H4634	222E16	1050-27	13.2
H4635	222E32	6200-35	500.0
H4751	222FA1	70-15	0.0545
H4753	222FA3	100-17	0.123
H4755	222FA5	170-19	0.337
H7101	222W1	244-20	—
H7104	222W4	474-23	2.36
H7108	222W8	1090-27	13.74
H7109	222W9	1446-28	23.0
H7110	222W10	1785-29	35.8
H7111	222W11	2188-30	55.4
H7112	222W12	2806-31	89.50
H7114	222W14	4120-33	209.3
H7115	222W15	5256-34	336.5
H7116	222W16	6685-35	539
H7117	222W17	8140-36	826
H7118	222W18	9600-37	1329
H7119	222W19	12830-38	2070

ADAMS QUALITY BOBBIN-WOUND COILS

Adams stocks 2-, 3-, and 4-lead bobbin-wound replacement coils. Bobbins are green-colored glass-filled Lexan®, and conform faithfully to the appearance and physical dimensions of the Otis originals. Generally used in the Otis Type A6164BP DC Magnet Switches. (Coil no. **H5317** is also used with Otis Type 6993D3 and D4 safety edges.)

Shown below are some of the bobbin-wound coils we carry. Order from charts below.



H4638



H4639



H6017

J: 6164 RELAYS		
Adams part no.	Otis part no.	Description
H7704	222T4	4830-34 tap 4100
H7705	222T5	11875-38 tap 10025
H7708	222T8	12037-38 tap 5775
H7500	222CZ3	15320-39 tap 14800
H7501	222CZ1	15320-39 tap 8980
H7503	222CZ2	10490-37 tap 7560
H7504	222CZ4	Inner 8000-37 Outer 70-21
H7555	222CZ5	10200-37 tap 5100

K: 6850 BL PAWL MAGNET		
Adams part no.	Otis part no.	Description
H3701	222DE1	Inner 7660-32, 477Ω Outer 1350-32, 108Ω

L: 0-S MAGNET SWITCHES BOBBIN SIZE: 1 7/8" OD X 1 11/16"L		
Adams part no.	Otis part no.	Description
H4638	103590	450-22
H4639	103593	600-23
H4640	103594	660-24
H4643	103588	375-21
H4644	150071	2430-30
H6017	114536	3000-32
H7061	146123	4520-33
H7351	103596	800-25
H8130	103601	1290-27

M: 1-S MAGNET SWITCHES (BOBBIN SIZE: 2 1/2" OD X 2 1/4"L)		
Adams part no.	Otis part no.	Description
H4641	13475	2180-27
H5666	13474	1980-26
H7305	13470	1350-24
H8453	136228	6450-29

N: 2-S/2-SA MAGNET SWITCHES (BOBBIN SIZE: 3 1/2" OD X 3 1/4"L)		
Adams part no.	Otis part no.	Description
H6283	12941	1366-20
H6286	12948	2660-24
H6287	12934	700-17

F: 6163 DC MAGNET SWITCHES			
Adams part no.	Otis part no.	Description	Ω
H4708	222F8	2745-27	51.35
H4710	222F10	4020-29	115.3
H4711	222F11	5240-30	196
H4712	222F12	6255-31	310
H4713	222F13	7995-32	476
H4714	222F14	9905-33	745
H4715	222F15	12785-34	1210
H4717	222F17	19150-36	2885

H: E6754 DC MAGNET SWITCHES			
Adams part no.	Otis part no.	Description	Ω
H7601	222EB1	12890-36	1860
H7602	222EB2	10818-35	1230
H7603	222EB3	8820-34	800
H7604	222EB4	6864-33	495
H7605	222EB5	5546-32	316
H7606	222EB6	4301-31	201
H7607	222EB7	3595-30	129

I: E6830 DC MAGNET SWITCHES			
Adams part no.	Otis part no.	Description	Ω
H6989	222CV1	13725-34	1410
H6990	222CV2	5670-30	231
H6991	222CV3	11020-33	900
H6996	222CV6	7300-31	375
H6997	222CV4	7200-31	375
H4011	222AA11	6555-30	
H7515	222G15	1520-26	21.25
H7517	222G17	1930-27	34.5
H7519	222G19	2480-28	55.0
H7520	222G20	2770-28	65.2
H7521	222G21	3060-29	86
H7531	222G31	9220-34	826

G: 6754, A6754 & B6754 DC MAGNET SWITCHES			
Adams part no.	Otis part no.	Description	Ω
H6992	222CD1	13025-36	1690
H6993	222CD2	10825-35	1118
H6994	222CD3	4870-32	241.5
H6995	222CD5	3675-30	119
H7502	222CD4	7000-33	455

OTIS 20S LATCHING/RESET RELAY (NOT SHOWN)		
Adams part no.	Otis part no.	Description
H7506	178721	1700-31

Lexan—Reg. TM General Electric Company

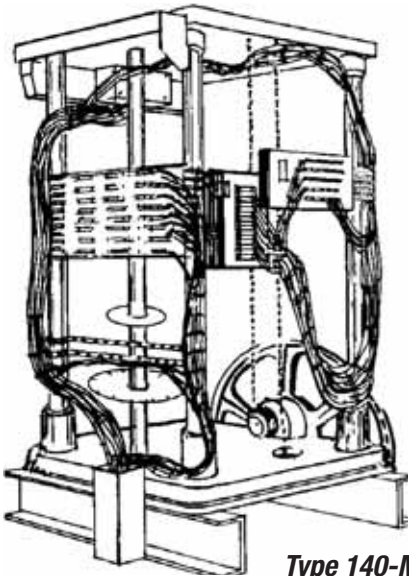
Replacement Parts for Otis Selectors

Adams stocks hundreds of replacement parts for Otis selectors. Our product line includes selector tape (perforated & unperforated), brush switches, rotary cams, advancer panel contacts

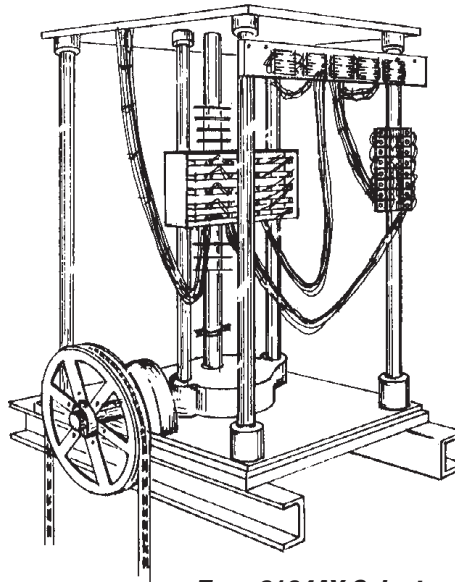
(movable & stationary), relays, contacts, shunts, coils, rectifiers, and more.

The illustrations on these two pages show

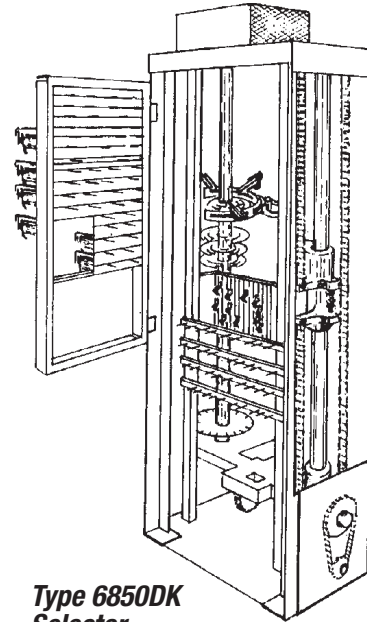
principal types of Otis selectors and a list of replacement parts available for each.



Type 140-M Selector



Type 6104AY Selector



Type 6850DK Selector

TYPE 140-M SELECTOR		
Adams part no.	Description	Otis part no.
O24C3	Movable spring contact	93A2
O27C2	Contact (see page 225)	150C3
O27C3	Contact (see page 225)	150C2
O301	Selector tape, unperforated	297B2/ plain
		181893
O339A	Selector brush	181894
O339B	Selector brush	181894
O339C	Brush bracket	181892
O340	Contact	181874
O342	Floor bar contact	A152H2
O520C	Fabric shunt, 7/4"L	175J3
O520D	Fabric shunt, 2 1/2"L	175J4
O520E	Fabric shunt, 3 1/2"L	175J5
O520F	Fabric shunt, 3 3/4"L	175J6

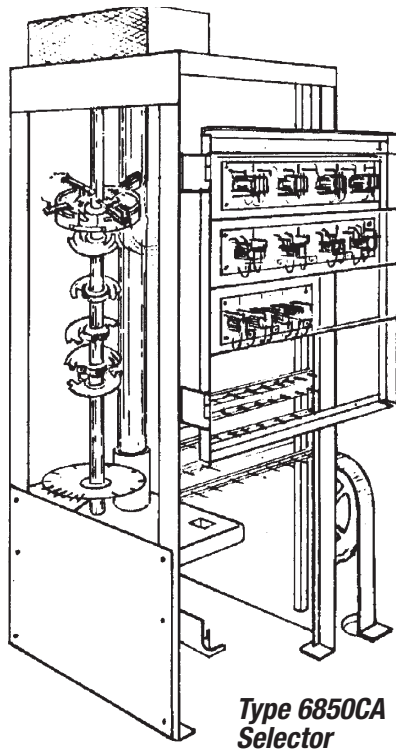
TYPE 6104AY SELECTOR		
Adams part no.	Description	Otis part no.
O23S2	Compression spring	90YA13
O24C3	Movable spring contact	92A2
O27C2	Contact (see page 225)	150C3
O27C3	Contact (see page 225)	150C2
O300	Selector tape, perforated	297B1/ perf.
O325A	Brush switch	6839B3
O325J	Double brush switch	6839J1
O325W	Brush switch	6839W1
O329	Brush switch	177AH1
O330	Contact brush	A6839F3
O331	Contact brush	A6839F4
O333	Contact brush	A6839F2
O334	Switch brush	6839Y1, Y3
O335	Switch brush	6839Y2, Y4
O343	Floor bar contact	156E1, 2, 3
O344	Floor bar contact	156G4
O344B	Contact base	306GD1
O350	Contact w/fiber cam	150P31
O351	Contact blade	150P32
O354A	U-form cam, 5/8"W	152AX4
O354B	U-form cam, 7/16"W	152AX2
O370	Door zone switch	6809C1
O375	Auxiliary stopping switch	6104AR1
O520C	Fabric shunt, 7/4"L	175J3
O520D	Fabric shunt, 2 1/2"L	175J4
O520E	Fabric shunt, 3 1/2"L	175J5
O520F	Fabric shunt, 3 3/4"L	175J6
O763	Carbon brush	186142

TYPE 6850DK SELECTOR		
Adams part no.	Description	Otis part no.
O23S2	Compression spring	90YA13
O23W1	Spring seat washer	133A1
O29A-series*	Normal relay	7058B
O29C-series*	Self-holding relay	7058B
O295P-series**	Pile-up, Make/Break	7055C
O300	Selector tape, perf.	297B1
O320B	Long-blade brush	6839D2
O321B	Long-arm door zone contact	A6839E2
	Short-arm level. sw.	A6839G1
O322A	Long-arm level. sw.	A6938G3
O322B	Brush switch	6839B4
O325C	Plunger brush	6482C2
O326	Cam/clamp ass'y.	6827C1
O327	Sel. switch cam	327FT2
O327A	Sel. switch clamp	336CM1
O327B		
O329	Brush switch	177AH1
O331	Contact brush	A6839F4
O335	Switch brush	6849Y4
O343	Floor bar contact	156E3
O344B	Base	306GD1
O345	Carbon-tipped contact	A151C2
O346	Contact	156AV2
H2100***	Coil	222FF
H2150***	Coil	222FD
H6996	Coil	222CV6

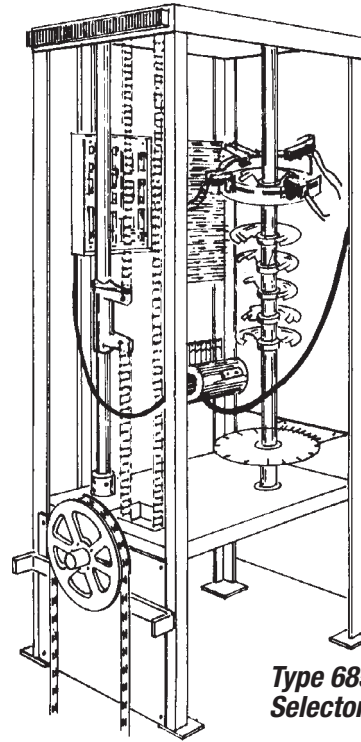
*Specify Normal/Self-hold, MAKE/BREAK

**Specify MAKE/BREAK combination(s).

***See Slim Line Relay coils (2-lead and 4-lead) for complete part numbers for these coils.



**Type 6850CA
Selector**



**Type 6850BJ
Selector**

TYPE 6850CA SELECTOR†		
Adams part no.	Description	Otis part no.
O2100-series**	Self-holding relay	A6164BP
O23S2	Compress. spring	90YA13
O23W1	Spring seat washer	133A1
O300	Selector tape, perf.	297B1
O320A	Short-blade brush	6839D1
O320B	Long-blade brush	6839D2
O320C	Copper finger indicator	269R1
O321A	Door zone cont., sh.	A6839E1
O321B	Door zone cont., l.	A6839E2
O322A	Level. sw., short	A6839G1
O322B	Level. sw., long	A6839G3
O323	Selector contact	6850F1
O324	Selector contact	6850F2
O325A	Switch, silver cont.	6839B3
O325B	Switch, graph. cont.	6839B2
O325C	Switch, fiber cam	6839B4
O326	Plunger	6482C2
O327	Cam/clamp ass'y.	6827C1
O327A	Cam	327FT2
O327B	Clamp	336CM1
O328	Cam	327DE2
O330	Brush w/carbon	A6839F3
O331	Brush w/graphite	A6839F4
O332	Brush w/fiber	A6839F5
O333	Brush w/carbon	A6839F2
O344	Floor bar contact	156G4
O344B	Base	306GD1
O362	Cam on bracket	327GS1
O801C1	Retaining ring (10pk)	172DE9
H5328	Coil	222CX1

TYPE 6850BJ SELECTOR		
Adams part no.	Description	Otis part no.
O2100-series	Self-holding relay**	A6164BP
O21C4	Movable contact	150P4
O21C5	Leaf spring contact	93D2
O23C7	Contact back. spring	93AD1
O23S2	Compression spring	90YA13
O23W1	Spring seat washer	133A1
O24C3	Movable contact	93A2
O24S1	Extension spring	91B1
O300	Selector tape, perf.	297B1
O320A	Cont. brush, short	6839D1
O320B	Cont. brush, long	6839D2
O321A	Door zone cont., sh.	A6839E1
O321B	Door zone cont., long	A6839E2
O322A	Level. switch, short	A6839G1
O322B	Level. switch, long	A6839G3
O325B	Brush switch, graph.	6839B2
O325W	Brush switch	6839W1
O327	Cam/clamp ass'y.	6827C1
O327A	Cam	327FT2
O327B	Clamp	336CM1
O330	Contact brush	A6839F3
O333	Contact brush, carb.	A6839F2
O333CY	Cam w/silver contact	327JE2
O333Y	Rocking contact	6839AB1
O334	Switch brush, fiber	6839Y3
O335	Switch brush, carbon	6839Y4
O343	Floor bar contact	156E3
O344	Floor bar contact	156G4
O344B	Base	306GD1
O350	Contact w/fibre	150P31
O351	Contact blade	150P32
O352	Spring blade	93CC1

TYPE 6850BJ SELECTOR (CONT.)		
Adams part no.	Description	Otis part no.
O354B	U-form cam, 7/16"W	152AX2
O355	Toggle p.i. switch	7042A1
O357	Magnet pawl contact	150P33
O358	Magnet pawl contact	150P34
O361	Toggle cam	327GJ1
O363	Down stop contact	156H1
O364	Up stop contact	156H2
O763	Carbon brush	186142
O807	Compression spring	90HB9
O833	2-pc. cam/clamp	327DJ2C
H3701	Coil	222DE1
H5328	Coil	222CX1
R065	Rectifier	230AY3

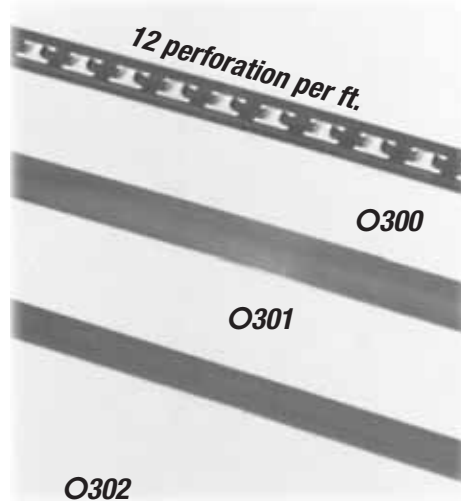
†Also used on models CK, C, BV

**Specify MAKE/BREAK combination(s).

Adams selector tape: an industry standard

Adams raw stock is mill certified to these specifications:

- Steel must be tempered, polished, and blued
- Tape edges must be round and smooth
- Width must be held to ± 0.005 " and thickness to ± 0.0005 " of specs
- Flatness and straightness shall be guaranteed by the mill



Adams Selector Tape Product Specifications:

- Perf progression (over 27 teeth) shall not deviate more than ± 0.0045 "
- Length of perforation: ± 0.002 "
- Width of perforation: ± 0.005 "
- Perf centers: ± 0.005 "
- Distance between perfs: ± 0.002 "
- Radius of perf: ± 0.001 " (typical)
- Contours of perforations must be smooth, continuous, and free from cuts and nicks
- Pitch: ± 0.0002 "

SELECTOR TAPE ORDERING INFO	
Adams part no.	Description
O300	1"-wide spring steel, perforated
O301	1"-wide spring steel, unperforated
O302	3/4"-wide spring steel, unperforated

O300 SERIES AVAILABLE IN PRE-CUT STOCKED LENGTHS	
Adams part no.	1" wide spring steel, perforated
O300-250	250' per Spool
O300-300	300' per Spool
O300-400	400' per Spool
O300-500	500' per Spool
O300-800	800' per Spool
O300-1000	1000' per Spool
O300-1500	1500' per Spool
O300-3500	3500' per Spool
Other sizes available on special order only.	

ALSO AVAILABLE...



385NN1
Otis
Tape Guide,
Hoistway,
14" x 1.25" x .75"
(3) .2215" holes,
(4) grooves



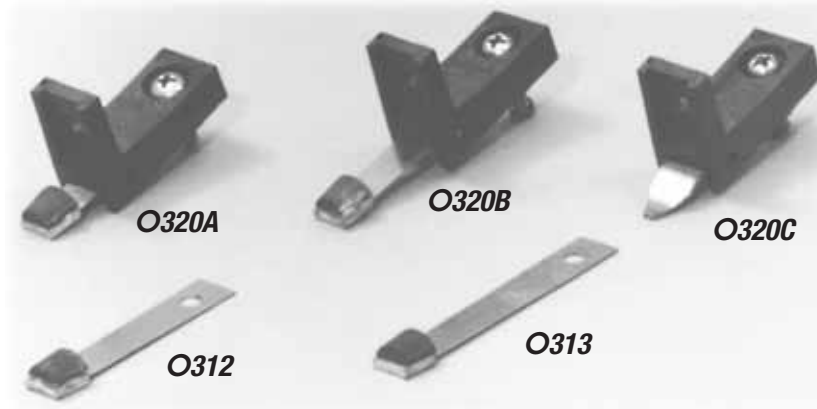
385PD1
Otis
Tape Guide



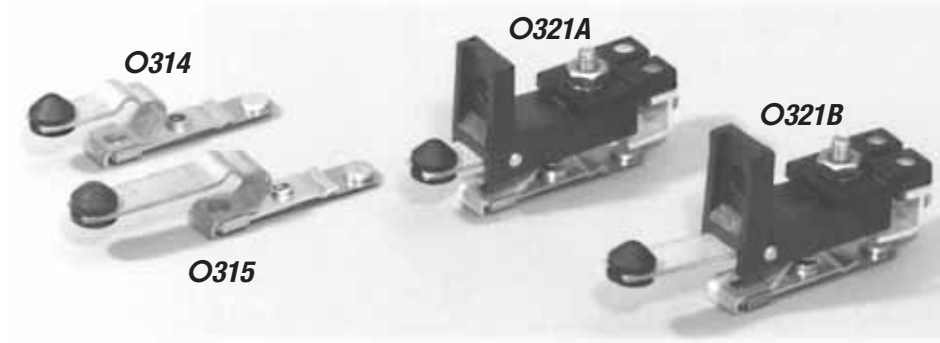
6199H1
Otis
Selector Tape
Hitch Assy



FLOOR SELECTOR PARTS		
Adams part no.	Description	Otis part no.
O310G	Floor selector roller, metal/graphite; 1/2" x 1/2", 0.251" ID	1659
O310C	Floor selector roller, copper; 1/2" x 1/2", 0.251" ID	15387
O311	Floor selector finger; use with O310G & O310C	102990

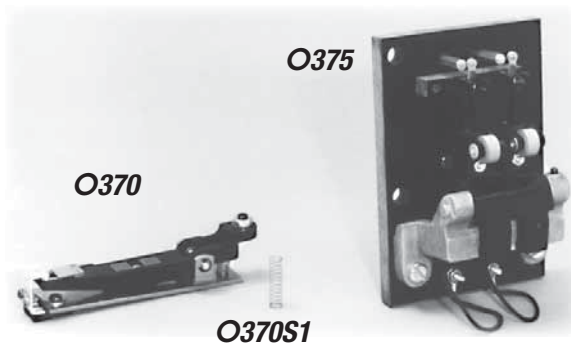


CONTACTS, CONTACT BRUSHES, INDICATOR		
Adams part no.	Description	Otis part no.
O312	Short contact arm, 3/8" x 2"; for O320A brushes	154AD2, AD7
O313	Long contact arm, 3/8" x 2 1/2" for O320B brushes	154AD4, AD8
O320A	Contact brush (incl. O312 short contact arm)	6839D1, D3
O320B	Contact brush (incl. O313 long contact arm)	6839D2, D4
O320C	Indicator with finger	269R1



DOOR ZONE ASSEMBLIES		
Adams part no.	Description	Otis part no.
O314	Movable contact for 6839E door zone assembly; incl. short cam arm, 2 1/4"L	150P37
O315	Movable contact for 6839E door zone assembly; incl. long cam arm, 2 3/4"L	150P41
O321A	Door zone assembly with O314 short cam arm	A6839E1
O321B	Door zone assembly with O315 long cam arm	A6839E2

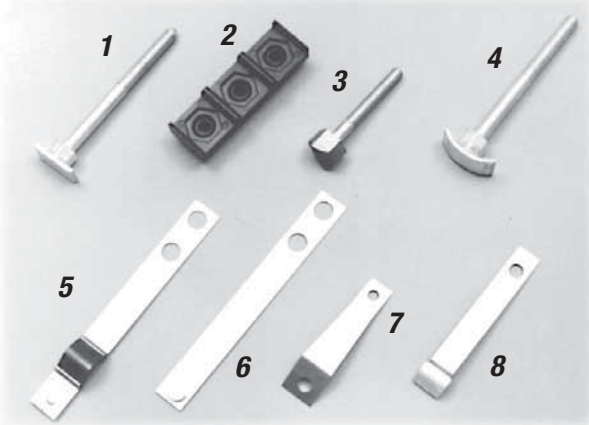
SWITCHES & CONTACT ARMS



Adams part no.	Description	Otis part no.
O370 O370S1	Door zone switch for 6104AY selector Compression spring for O370	6809C1 90GA2
O375	Auxiliary stopping switch for 6104AY selector	ML6101AR1

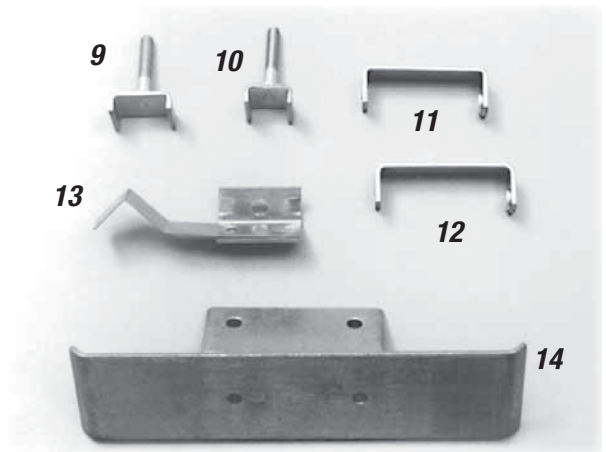


Adams part no.	Description	Otis part no.
O355 O363	Toggle switch for position indicator Upper stop control contact arm for 6851B stop control switch	7042A1 156H1
O364 O365	Lower stop control contact arm for 6851B stop control switch Contact finger and spring guide	156H2 156AB2



SWITCHES & CONTACTS			
Photo key no.	Adams part no.	Description	Otis part no.
1	O342	Contact for floor bar ass'y.; head = 3/8" x 5/8"; 2 11/32"L, #10-32 thread	B152H2
2	O344B	Contact base for floor bar ass'y.; accommodates 3 contacts	306GD1
3	O346	Selector contact, 1 1/2"L, round hex nut	156AV2
4	O347	Selector contact, 2 1/2"L; 3/8" x 3/4" contact face with 3/4" radius	—
5	O350	Contact for selector stopping switch, with fiber cam; 3/8" x 3 3/8" blade, 1/4" tip; also used on 6970A door operator	150P31 150P32
6	O351	Contact blade, makes with O350	150P32
7	O352	Spring blade for O330 -type contact brush	93CC1
8	O353	Selector contact	156A6

SWITCHES & CONTACTS			
Photo key no.	Adams part no.	Description	Otis part no.
9	O354A	U-form selector cam for rocking contact; 5/8" inside width	152AX4
10	O354B	U-form selector cam for rocking contact; 7/16" inside width	152AX2
11	O357	Pawl magnet contact for crosshead panel, 1 3/8"L	150P33
12	O358	Pawl magnet contact for crosshead panel, 1 1/2"L	150P34
13	O361	Toggle cam for advancer panel	327GJ1
14	O362	Bracket/cam assembly; used at end of crosshead panel	327GS1



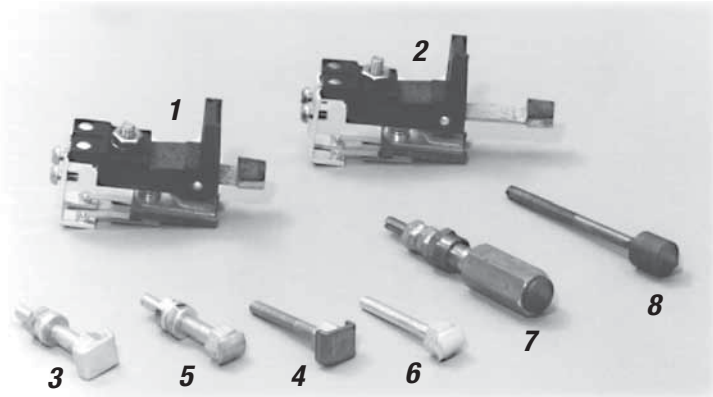
CAM & CLAMP ASSEMBLIES



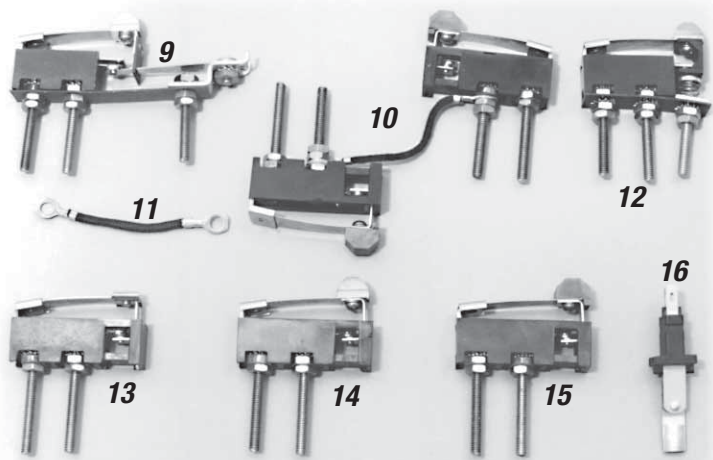
Adams part no.	Description	Otis part no.
O833	Cam & clamp ass'y. for power door operator switches and 6850 selector; replaces 327DJ2 one-piece unit	327DJ2C
O833A	Plastic cam for O833; upper surface radius = 1 1/8"; lower surface radius = 15/16"	—
O833B	Die cast cam clamp	—

Adams part no.	Description	Otis part no.
O327	Cam/clamp assembly	6827C1 327FT2
O327A	Cam only	—
O327B	Cam clamp (also used on O328 cam)	336CM1

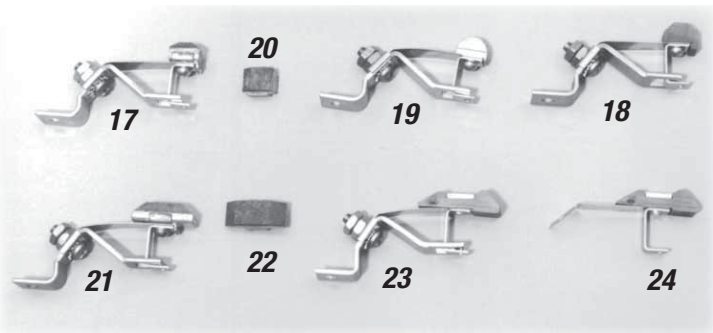
Adams part no.	Description	Otis part no.
O328	Cam for selector switches; use O327B clamp	327DE2



SWITCHES & CONTACTS			
Photo key no.	Adams part no.	Description	Otis part no.
1	O322A	Leveling switch with 2 1/4" contact arm	A6839G1
2	O322B	Leveling switch with 2 3/4" contact arm	A6839G3
3	O323	Selector contact	6850F1
4	O343	Contact only for O323 assembly; 1 1/32"L, #8-32 threads	156E1, 2, 3
5	O324	Selector contact, cadmium plated	6850F2
6	O344	Floor bar contact for O324 group; 1 1/2"L, #8-32 threads	156G4
7	O326	Plunger brush	6482C2
8	O345	Carbon-tipped contact for O326 assembly; 2 3/4"L, #8-32 threads	A151C2



SWITCHES & CONTACTS			
Photo key no.	Adams part no.	Description	Otis part no.
9	O325H	Brush switch	6839H1
10	O325J	Double brush switch assembly with fiber cams and connecting shunt	6839J1
11	O520B	Shunt for O325J , 2 1/2" long	175J2
12	O325W	Brush switch	6839W1
13	O325A	Brush switch w/silver contact	6839B3
14	O325B	Brush switch w/graphite contact	6839B2
15	O325C	Brush switch w/fiber insulator tip	6839B4
16	O329	Brush switch	177AH1



SWITCHES & CONTACTS			
Photo key no.	Adams part no.	Description	Otis part no.
17	O330	Contact brush w/carbon contact, 7/16"L	A6839F3
18	O331	Metal graphite contact, 7/16"L	A6839F4
19	O332	Contact brush w/fiber contact, 7/16"L	A6839F5
20	O330C2	Carbon & clip assembly	156J2
21	O333	Contact brush for crosshead panel; 7/8"L carbon contact (#156D2)	A6839F2
22	O333C5	Carbon & clip assembly	156D2
23	O333Y	Rocking contact brush assembly, complete	6839AB1
24	O333CY	Cam with silver contact for O333Y ass'y.	327JE2

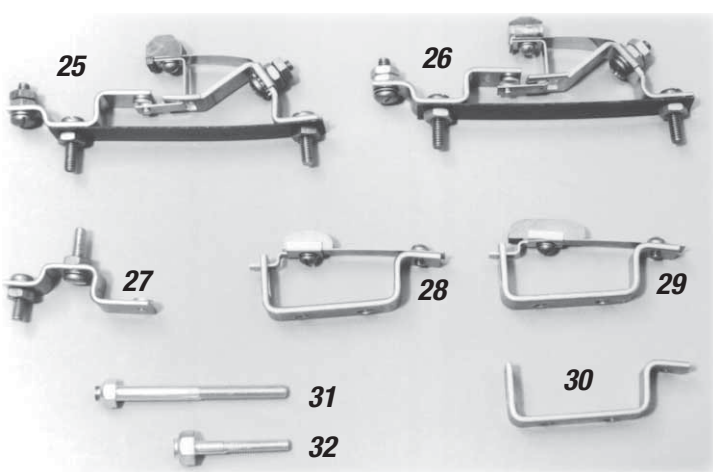
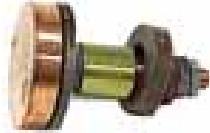


Photo key no.	Adams part no.	Description	Otis part no.
25	O334	Brush switch for crosshead and advancer panels; includes 7/16"L fiber insulated tip	6839Y1, Y3
26	O335	Brush switch for crosshead and advancer panels; 7/16"L carbon contact	6839Y2, Y4
27	O336	Stationary contact for brush switch	150BA7
28	O339A	Selector brush for ML6104 crosshead and brush advancer panels, and 140M selector; 5/8"L graphite contact	181893
29	O339B	Same as no. O339A , but with 15/16"L graphite contact	181894
30	O339C	Bracket only for O339A & O339B	181892
31	O340	Selector contact for floor bar ass'y.; 5/16" dia. hex head with 3/16" dia. silver contact; 2 5/16"L with #10-32 thread	150R1, 181874
32	O341	Selector contact for floor bar ass'y.; 3/8" dia. hex head with 3/16" dia. silver contact; 15/16"L with #10-32 thread	150C10

....MORE CONTACTS AVAILABLE FOR OTIS EQUIPMENT.



126391
Otis
Contact



106580
Otis
Contact Assy.



109731
Otis
Contact Assy.



120671
Otis
Contact Assy.



12143
Otis
Contact Holder



6825B3
Otis
Contact



129912
Otis
Contact Assy.



130409
Otis
Contact Holder



1329
Otis
Contact, Brass



13418
Otis
Contact, Assy.



156AX1
Otis
Contact, U form



145706
Otis
Contact



146088
Otis
Contact



130190
Otis
Contact



150AY1
Otis
Contact, Stationary



1338
Otis
Contact



150C4
Otis
Contact



153H1
Otis
Contact



153Y1
Otis
Contact



156AA2
Otis
Contact



153AG6
Otis
Paddle Contact



169941
Otis
Carbon Contact



6850F3
Otis
Contact



12171
Otis
Contact Assy LH



12170
Otis
Contact

Three types of polyurethane guide rollers to choose from

- **SPx⁸⁰**™ Quiet Soft Poly gives you the quiet ride of rubber, *PLUS*:
 - Tougher resistance to chemicals & ozone
 - Longer life
- **HDx⁹⁵**™ Heavy-Duty poly outlasts conventional guide rollers where noise reduction is not a major concern
- **LFx⁷⁰**™ Low-Friction, super-hard poly

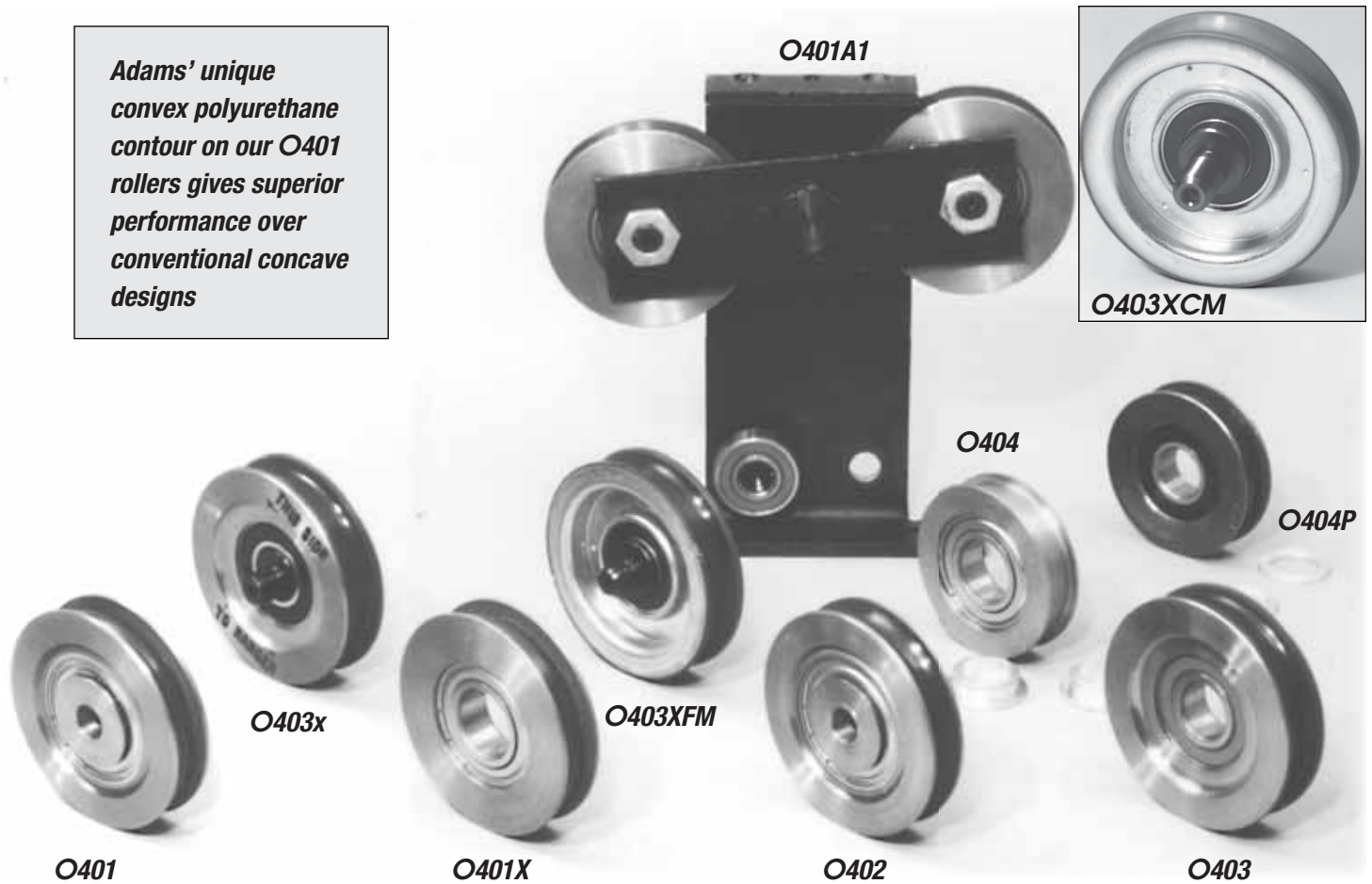


- Adams guide rollers address rigid elevator operating requirements
- Get the quality ride you demand
- Minimize roller-related call-back's...add perceived value to your service
- Adams Durabond® polyurethane is the industry's toughest
- Precision-machined and balanced hubs promote wobble-free ride
- Every batch is tested for proper composition
- Temperatures are recorded at all steps in the manufacturing process
- Machined rollers have 100% inspection of bore
- Concentricity and final dimensions are held tightly
- Final durometer is checked in each batch

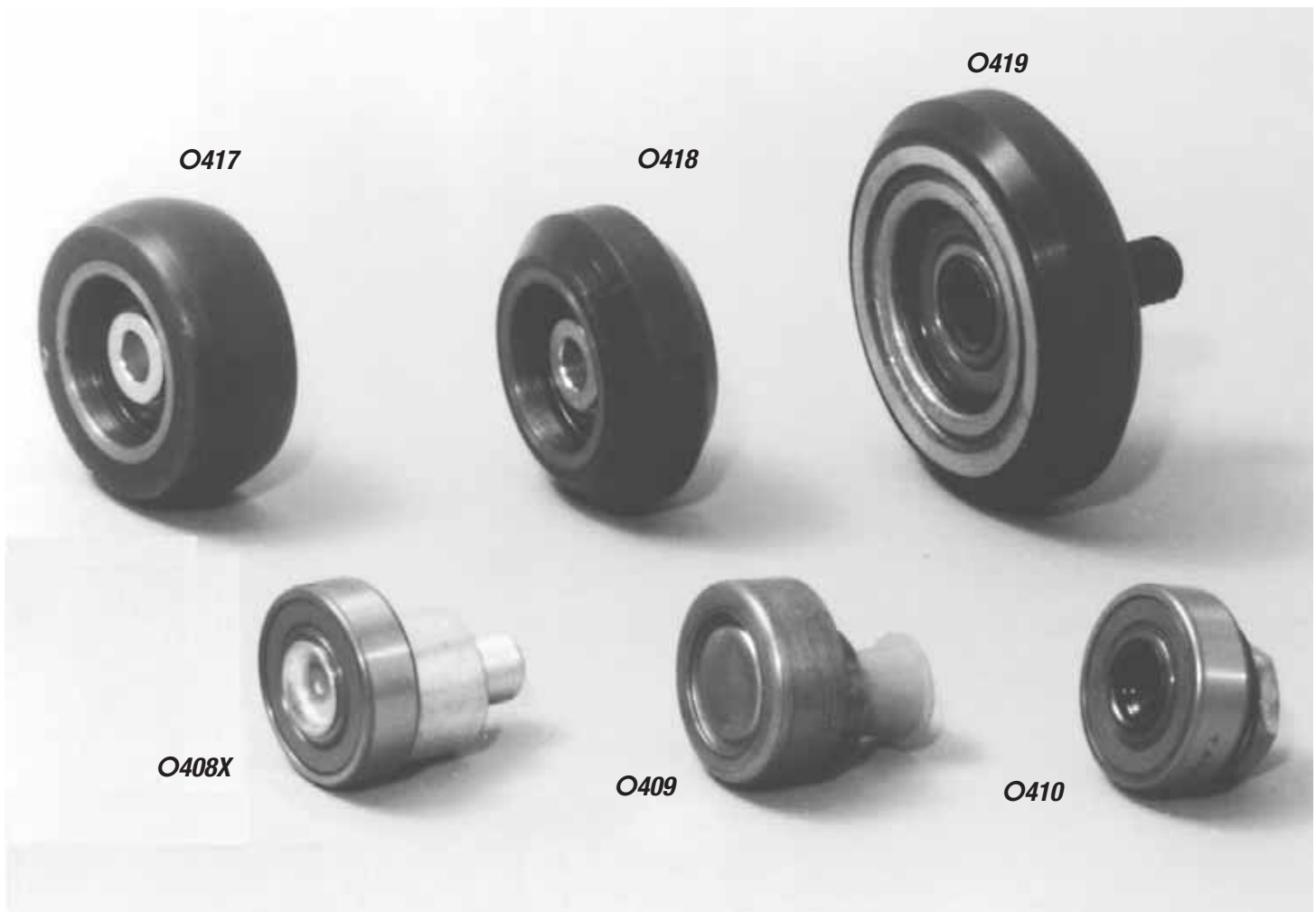
COLOR KEY FOR ADAMS POLY

Red = LF^{x80} Low Friction
 Black = SP^{x80} Soft
 Clear = HD^{x95} Heavy Duty

Adams' unique convex polyurethane contour on our O401 rollers gives superior performance over conventional concave designs



Adams part no.	Description	Roller dimensions			Materials		Otis part no.
		Diam.	Thick.	Bearing I.D.	Hub	Tire	
O401	Hanger roller with convex surface; for type AU & 6178A flat track hangers	3 1/4"	1 1/16"	0.500" (bushed)	Solid steel	HDx ⁹⁵ ™ poly	A456W1
O401HP	Same as O401 , with low-friction hard poly	3 1/4"	1 1/16"	0.500" (bushed)	Solid steel	LFx ⁷⁰ ™ poly	A456W1
O401A1	Teeter-bar hanger w/2 O401 rollers and 1 O410 up-thrust roller; for heavy doors	3 1/4"	1 1/16"	0.500" (bushed)	Solid steel	HDx ⁹⁵ ™ poly	368203907
O401X	Hanger roller with convex tire surface; for Type "A" (6178A) hangers	3 1/4"	1 1/16"	0.9843"	Solid steel	HDx ⁹⁵ ™ poly	456W1
O402	Hanger roller for AU & 6178A hangers; concave roller surface	3 1/4"	1 1/16"	0.500"	Solid steel	HDx ⁹⁵ ™ poly	A456EA1
O402HP	Same as O402 , with low-friction hard poly	3 1/4"	1 1/16"	0.500"	Solid steel	LFx ⁷⁰ ™ poly	A456EA1
O403	Hanger roller with 1 1/32" radius on concave surface	3 3/8"	1 3/16"	0.7874"	Sol. steel	HDx ⁹⁵ ™ poly	456CX4
O403X	Hanger roller w/eccentric axle stud, steel hub	3 3/8"	1 3/16"	n/a	Sol. steel	HDx ⁹⁵ ™ poly	456DH1
O403XCM	Hanger roller, projection welded; eccentric axle has 1/2"-20 thread and 3/16" socket, machined hub	3 3/8"	1 3/16"	n/a	machined	HDx ⁹⁵ ™ poly	456DH2
O403XFM	Hanger roller, projection welded; eccentric axle has 1/2"-20 thread and 3/16" socket, machined hub	3 3/8"	3/4"	n/a	machined	HDx ⁹⁵ ™ poly	456EW1
O404	All-steel hanger roller for integral hoistway hanger	2 3/4"	1 1/16"	0.785"	Steel	Steel	456CC1
O404HP	Same as O404 , with low-friction hard poly tire	2 3/4"	1 1/16"	0.785"	Steel	LFx ⁷⁰ ™ poly	456CC1
O404P	Same as O404 , with heavy-duty poly tire	2 3/4"	1 1/16"	0.785"	Steel	HDx ⁹⁵ ™ poly	456CC1



Adams part no.	Description	Dimensions			Materials		Otis part no.
		Diam.	Thick.	Bearing I.D.	Hub	Tire	
O408X	Upthrust roller with all-steel roller surface for integral hanger & track; eccentric axle has 1/2" shoulder; includes hex jamb nut	1 3/8"	1/2"	n/a	Steel	Steel	456CP1
O409	Upthrust roller with steel roller surface for integral track; eccentric axle has 1/4" shoulder; includes hex jamb nut	1 3/8"	1/2"	n/a	Steel	Steel	456CP2
O410	Upthrust roller with steel roller surface; eccentric axle has 1/8" shoulder; incl. nut	1 3/8"	7/16"	n/a	Steel	Steel	207Z4
O417	Roller guide wheel with convex poly tire	2.200"	7/8"	0.370"	Steel	HDx ^{95™} poly	6263A1 456CA1A
O418	Roller guide wheel with 5/16" flat poly tire face	2.200"	7/8"	0.370"	Steel	HDx ^{95™} poly	6263A2 456CA2B
O419	Roller guide wheel with 3/8" flat poly face; 1 1/4"L eccentric axle has 1/2-13 thread; can be used for Otis and Dover hydros	3"	1 3/16"	n/a	Steel	HDx ^{95™} poly	456DN1

"S" in part nos. is your key to the quietest-running polyurethane guide rollers around!

**O420S
O420**

**O421S
O421
Permanent
Lube!**

O425

NOTE: O421 and O423 are same size. Perspective of picture has distorted size.

O422S

**O423
O423S
Permanent
Lube!**

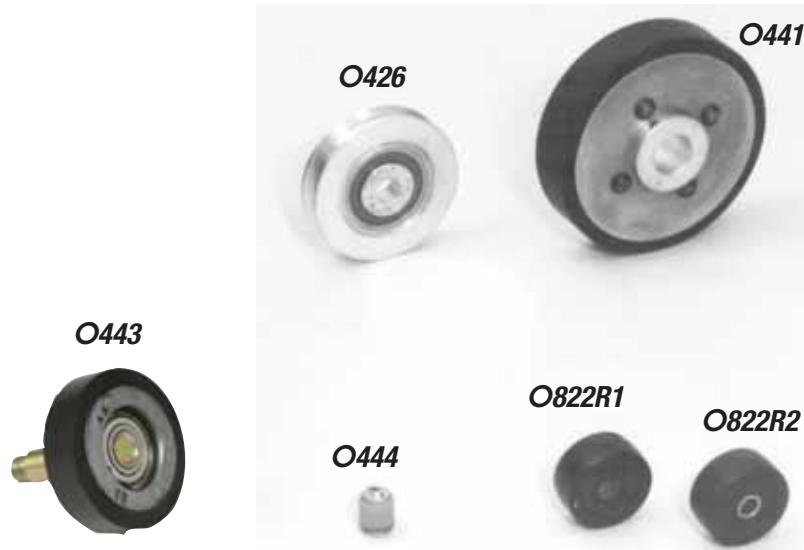
**O421X
bolt & bushing**

Adams part no.	Description	Dimensions		Materials		Otis part no.
		Dia.	Width	Hub	Tire	
O420S	Roller guide wheel with axle shaft for 6261A roller guide assembly	3 ³ / ₄ "	1 ¹ / ₈ "	Aluminum	SPx ⁸⁰ ™	456AK2-SV
O420					HDx ⁹⁵ ™	456AK2
O421S	Roller guide wheel for 6261C roller guide assembly, 1941 thru 1962; permanent lube	7 ⁷ / ₈ "	1 ¹ / ₂ "	Die-cast aluminum	SPx ⁸⁰ ™	456AJ2 -SV
O421					HDx ⁹⁵ ™	456AJ2
O422S	Guide roller with axle shaft, for 6261P roller guide assembly; w/pump shaft bearing	3 ³ / ₄ "	1"	Die-cast aluminum	SPx ⁸⁰ ™	456CN4-SV
O422	Guide roller with axle shaft, for 6261P roller guide assembly; w/pump shaft bearing	3 ³ / ₄ "	1"	Die-cast aluminum	HDx ⁹⁵ ™	456CN4
O423S	Roller guide wheel w/axle shaft; used on 6261C guide assy, after Dec 62; perm. lube	7 ⁷ / ₈ "	1 ¹ / ₂ "	Die-cast aluminum	SPx ⁸⁰ ™	456CL4-SV
O423					HDx ⁹⁵ ™	456CL4
O424S	Roller guide wheel with axle shaft enclosed by pump shaft bearing; used for 6261H roller guide assembly	4 ⁷ / ₈ "	1 ¹ / ₈ "	Die-cast aluminum	SPx ⁸⁰ ™	456CM4-SV
O424P					Rubber	456CM4
O425					HDx ⁹⁵ ™	456CM4
O425	Roller guide wheel with axle shaft enclosed by pump shaft bearing; used on 6261T roller guide assembly	10"	1 ¹ / ₂ "	Die-cast aluminum	Rubber	456CV4

O421X. Lever arm bolt & bushing for **O421** and **O423** guide rollers; hardened steel bushing with hardened cold-rolled steel pin. 3" long, with shaft diameter of 3/4". See photo inset, above. Replaces Otis part nos. 59P1 and 335H1. Bushing has an Outside Diameter of 1.002".

COLOR KEY FOR ADAMS POLY

Red = LF⁸⁰ Low Friction
Black = SP⁸⁰ Soft
Clear = HD⁹⁵ Heavy Duty



QUIET POLY: AN ADAMS EXCLUSIVE

They give you the quiet ride you enjoy with rubber **PLUS** these added advantages:

- Quiet Poly guide rollers last longer than rubber (SPx^{80™} Quiet Poly)
- Stand up to petroleum products that invade hoistway and reduce roller life
- Resist ozone degradation

Try a Quiet Poly alternative next time you are replacing a guide roller.

COLOR KEY FOR ADAMS POLY

- Red = LF^{x80} Low Friction
- Black = SP^{x80} Soft
- Clear = HD^{x95} Heavy Duty

Adams part no.	Description	Dimensions		Materials		Otis part no.
		Diam.	Bearing ID	Hub	Tire	
O426	Chain pulley roller for A6037E1, E2 hangers	2 ⁹ / ₈ "	¹⁹ / ₃₂ "; ³ / ₈ " bushing I.D.	Steel	Steel	290B1
O441	Roller for "N1" and "N2" hatchway limit switch; ³ / ₄ " tire face	3 ¹ / ₂ "	1/2"	Steel	Rubber	101876
O443	Roller for 6072A stopping switch, heavy duty; stamped steel hub, poly tire, precision ball bearing	3"	n/a	Steel	SPx ^{80™}	A6037D1
O444	Door guide roller; add ¹ / ₁₆ " to diam. for elastomer ring; ¹ / ₁₆ " extension with 6-32 tapped hole; ⁹ / ₁₆ "L. Fits 7593B door guide.	³¹ / ₆₄ "	6-32 tapped hole	n/a	n/a	456DD1
O822R1	Rubber roller, 0.593" wide	1.22"	0.337"	n/a	Rubber	456AA1
O822R2	Same as O822R1 with 335D4 bushing	1.22"	0.337"	Bronze	Rubber	456AA2



456C5
Otis Soft Rubber Roller



456CE4
Otis Door Operator Roller



456AK4
Otis Soft Rubber Roller includes Pin, Ball Bearings and Ring



456EW2
Otis Hanger Roller

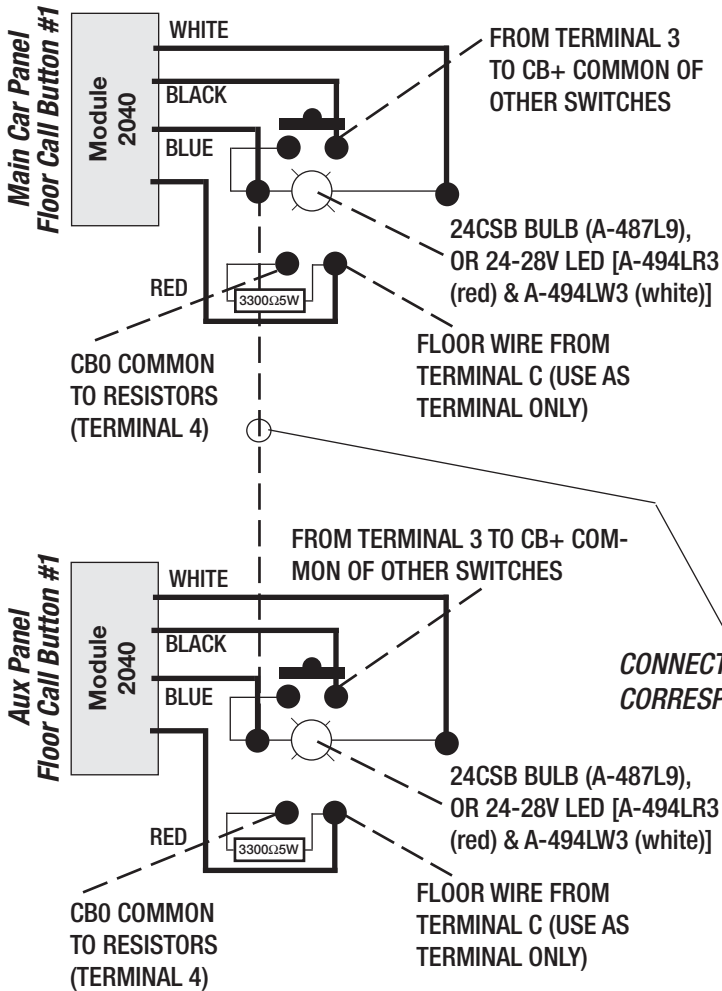


456By1
Otis Limit Switch Roller

MISC. OTIS ROLLERS			
Part No.	O.D.	Width	Where Used
456AK4	3.75"	.97"	w/6261A Roller Guides
456C5	1.49"	1.28"	A7116B, 7078B, A7078B
456CE4	2.00"	0.56"	A6970F1 & A6970F2
456EW2	3.00"	.89"	Hanger Roller
456BY1	1.62"	.78"	6098FH, 6098B Limit Switch

Survivor O[®] Mechanical Alternative to Touch Buttons

SCHEMATIC



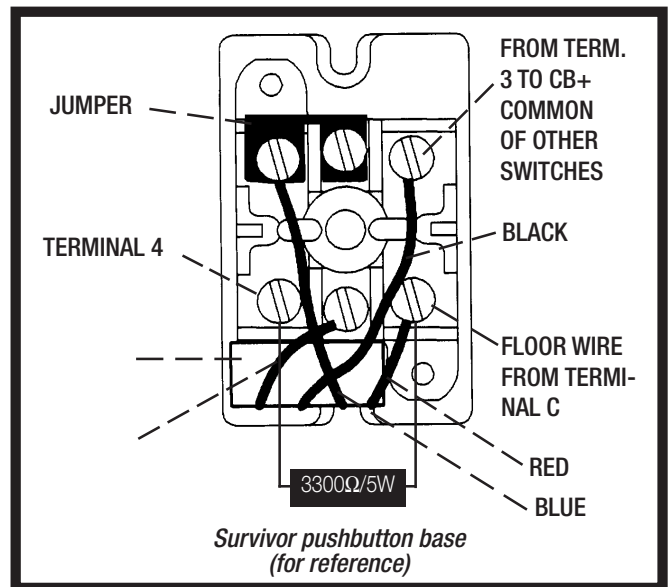
CONNECTION BETWEEN BLUE WIRES OF CORRESPONDING BUTTONS FOR CROSS-FIRING

INSTALLATION

Adams O-486E Modules and mechanical buttons are suitable replacements for Otis 2040 tubes and Touch Buttons. A wiring modification is required to retain cross-firing in main and auxiliary car panels.

For cross-firing with an auxiliary panel, you must connect together the blue wires of the corresponding buttons, Main Fl. #1 button to Aux. Fl. #1, etc. (see schematic diagram at left).

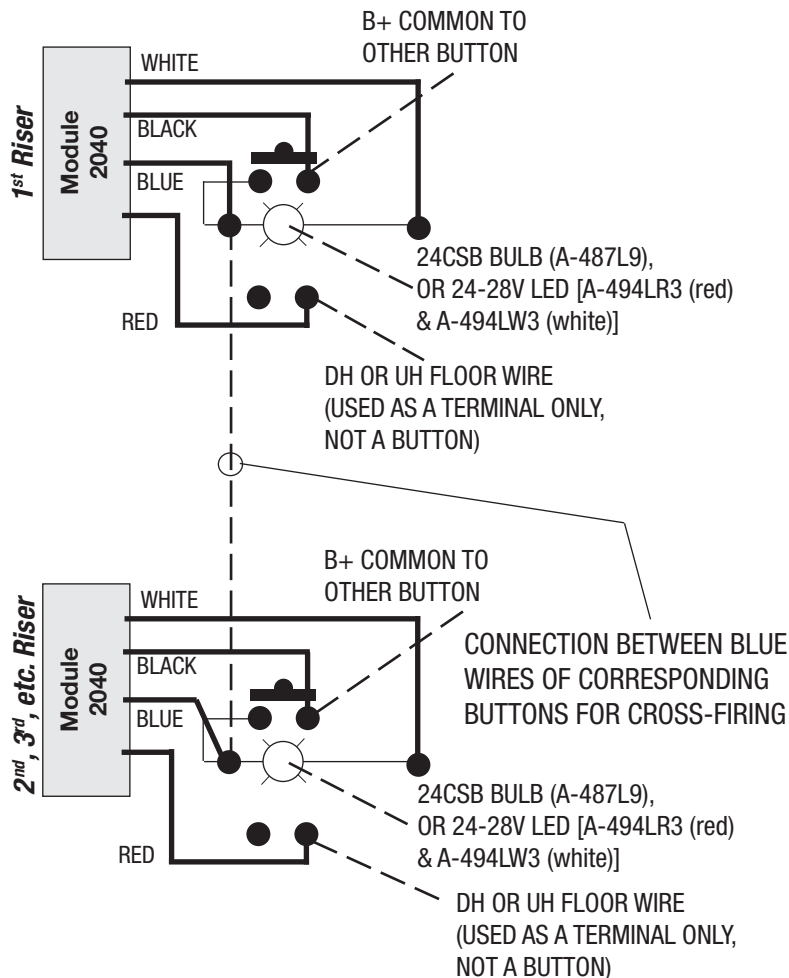
- 1) Wires on terminal 5 are no longer used.
- 2) ALL car switches must be replaced at the time of change.
- 3) It may be necessary to stud existing panels.
- 4) Use terminal 4 as a terminal only, not as part of switch; no bridging contact inside switch at this position. See illustration below.
- 5) Use 3300 OHM resistor from old car station; it was connected from terminal 4 to terminal C. Or, use a new 3300 OHM/3-5W resistor.
- 6) Terminal for 3300 OHM resistor is for car unit only.



Note: In a COP, all buttons must be changed out at the same time for proper operation. Hall stations can be replaced floor by floor. However, Survivor/O[®] replacements will not cross fire like Otis original equipment. If cross firing is a requirement, rewire between hall stations at each floor.

Survivor/O® Mechanical Alternative to Touch Buttons

SCHEMATIC



NOTE:

The B+ or COMMON to other button is the field wire that goes to the shield(s); it is normally installed on terminal #3 of the Otis assembly, which is jumped to #5.

The DH or UH floor terminal wire is #2 of the Otis assembly for terminal floors and DOWN calls. It is #1 for UP calls, except the bottom terminal.

The #4 wire removed from the Otis assembly is not used. Tape it and make sure it does not contact anything.

Survivor/O® pushbutton: preferred alternative to Otis Touch Buttons

Mechanical Base is unaffected by humidity.

Self-cleaning silver-clad contacts for maintenance-free service (under normal use)

Round or square halos and Otis-style coverplates match existing installations

Compatible with Otis stud configurations

Electronic module replaces obsolete Otis drop tubes, reducing inventory problems.

Each Survivor/O® comes with the Adams Survivor button switch

INSTALLATION

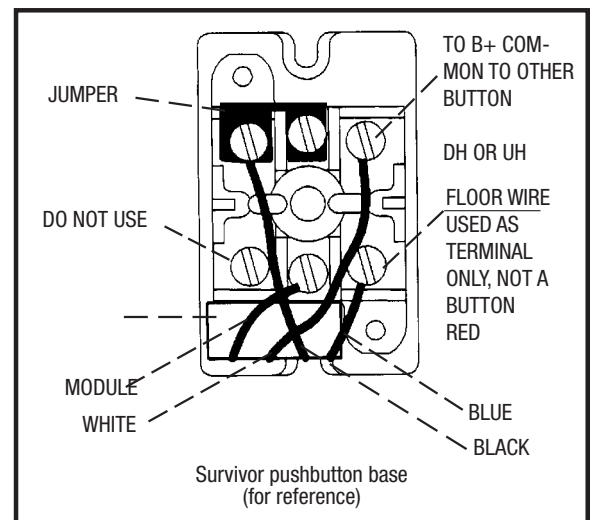
Adams O-486E Modules and mechanical buttons are suitable replacements for Otis 2040 tubes and Touch Buttons. A wiring modification is required to retain cross-firing in existing multiple-riser Otis installations.

For cross-firing with more than one riser, you must connect together the blue wires of the corresponding hall buttons, Up to Up and Down to Down (see schematic diagram at left).

On a two-riser job, for example, you would make the following connections:

- 1) One wire between the two hall stations on both terminal floors; and
- 2) Two wires between the two hall stations on each intermediate floor.

In this manner, a 10-floor double-riser job would require 18 cross connections.



Note: In a COP, all buttons must be changed out at the same time for proper operation. Hall stations can be replaced floor by floor. However, Survivor/O® replacements will not cross fire like Otis original equipment. If cross firing is a requirement, rewire between hall stations at each floor.

HALL STATIONS WITH ROUND OR SQUARE BUTTONS

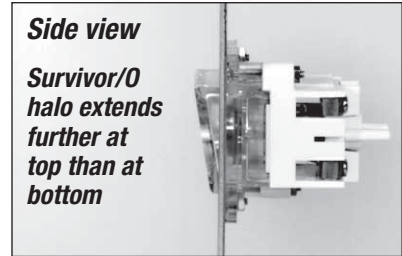
Survivor/O pushbutton assemblies are available mounted on hall station cover plates that match existing Otis plates.

Choose O486A-series round halos or O487A-series square halos; bronze or stainless finishes; formed or flat contours; terminal and intermediate configurations.



HALL STATION SELECTION TABLE							
Round halos (1½" dia.)				Square halos (1¾" x 1¾")			
Adams part no.*	No. of buttons	Cover plate material	Plate contour	Adams part no.*	No. of buttons	Cover plate material	Plate contour
O486A1	1	Stainless	Formed†	O487A1	1	Stainless	Formed†
O486A2	2	Stainless	Formed†	O487A2	2	Stainless	Formed†
O486A3	1	Bronze	Formed†	O487A3	1	Bronze	Formed†
O486A4	2	Bronze	Formed†	O487A4	2	Bronze	Formed†
O486A5	1	Stainless	Flat	O487A5	1	Stainless	Flat
O486A6	2	Stainless	Flat	O487A6	2	Stainless	Flat
O486A7	1	Bronze	Flat	O487A7	1	Bronze	Flat
O486A8	2	Bronze	Flat	O487A8	2	Bronze	Flat
O486A-A	Pushbutton assembly only			O487A-A	Pushbutton assembly only		
O486E	Electronic module (order 1 module for each pushbutton)						
A487L9	Replacement lamp, ref. #24CSB, 24V, 0.017 amps						

*Each pushbutton features molded-in arrow; mount in UP or DOWN position or flip button base.
 †Formed plates attach with single screw at bottom rear of plate.



Side view
 Survivor/O halo extends further at top than at bottom

CAR PANEL BUTTON ASSEMBLIES, ROUND AND SQUARE HALOS AVAILABLE

Maintain the uniform look of Otis car panels by replacing worn or damaged pushbuttons with Survivor/O assemblies. Each Survivor/O button face matches Otis character height, stroke width, type style, and color.

O486A-[character] for round halo or O487A-[character] for square halo.



O486A-series

O487A-series

Survivor/O car buttons preserve your system's uniform look

Survivor, Survivor/O—Reg TM Adams Elevator Equipment Company

ALSO AVAILABLE...



6849B5
 Otis
 Terminal Plate



6849B4
 Otis
 Intermediate Plate

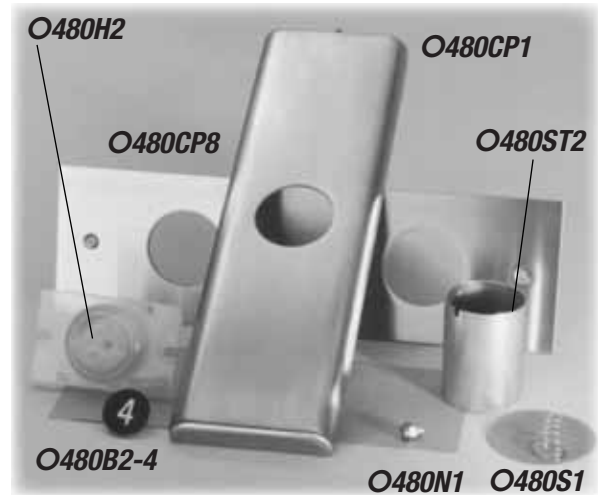


6849C6
 Otis
 Base

REPLACEMENT ELECTRONIC TOUCH BUTTON COMPONENTS FOR CAR AND HALL PANELS

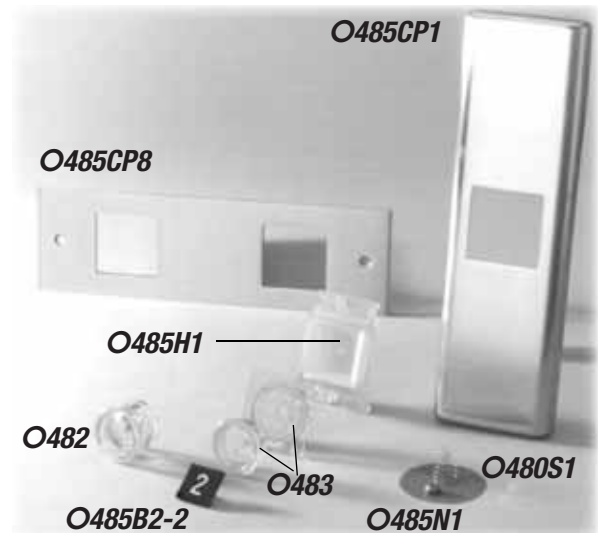
ROUND HALO TOUCH BUTTON COMPONENTS

Adams part no.	Otis part no.	Description
O480H2	306KH2	Round halo base, frosted Lexan; 1 1/2" dia. halo, 1 3/4"x2 3/4" rectangular base; 2 mtg. holes, 2 mtg. slots (for car panel)
O480B2*	323BL2	Electronic touch button, black, 7/8" dia.; full range of characters and numbers; see below to order
O480CP1 O480CP2	147FD5-3 147FD6-3	Hall station cover plate, terminal; Hall station cover plate, intermed;
O480CP5 O480CP7	147JF5-3 147JF6-3	Hall station cover plate, terminal; Hall station cover plate, intermediate;
O480ST2 O485ST3 O480N1	278BP2 278AN1 72CG3	Plain brass shield tube for car station Same as O-480ST2, w/clip. (not shown) Brass nut, 5-40 thread
O480S1	90WE14	Brass spring



SQUARE HALO TOUCH BUTTON COMPONENTS

Adams part no.	Otis part no.	Description
O485H1 O485B2*	A306GC2 323BH2	Halo base, square; frosted Lexan™ Electronic touch button, black, 7/8" sq.; full range of characters & numbers; see below to order
O485N1 O480S1	72CG1 90WE14	Brass nut, 5-40 thread Brass spring
O485CP1 O485CP2	147FD1-3 147FD2-3	Hall station cover plate, terminal; Hall station cover plate, intermediate;
O485CP5 O485CP7	147JF1-3 147JF2-3	Hall station cover plate, terminal; Hall station cover plate, intermediate;
O482 O483	— 306JG1 306JH1	Clear halo, 1.355" dia. x 1"L Clear halo, 2-piece clear Lexan; 1 5/16" dia. inner ring; 1 3/4" sq. outer mounting with 1 3/16" cavity;

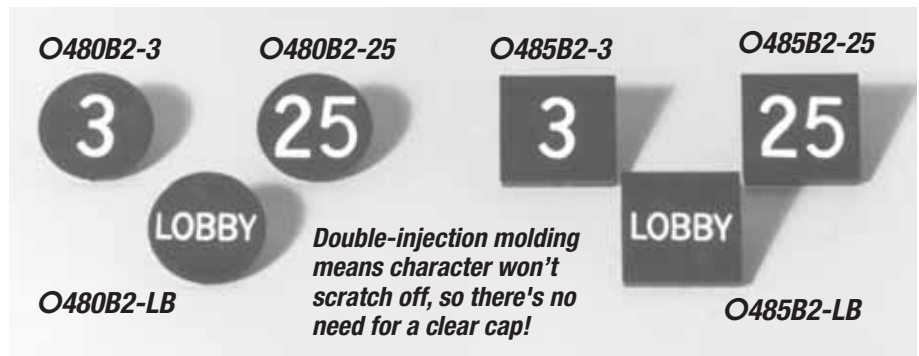


REPLACEMENT PUSHBUTTONS FOR ELECTRONIC TOUCH BUTTONS*

O480B2-series (round) and O485B2-series (square) buttons feature black Lexan face with white plastic characters molded in. Button face is molded onto a 5/16" brass conductor stem that provides "condenser-effect" sensitivity equal to the OEM value.

Order O480B2-[character] (e.g., O480B2-LB for round button with molded-in "LOBBY").

Order O485B2-[character] (e.g., O485B2-25 for square button with molded-in "25").



Hall and blank buttons are not available in this series

ELECTRONIC PUSHBUTTONS (FOR CAR ONLY)*

The buttons have black faces that are ultrasonically-welded into button bases, and white markings. They replace Otis 306KV-series buttons.

O481B-[character] (e.g., **O481B-12** for button with numeral 12).



***PLEASE NOTE:**

Touch buttons for hall stations are not available from Adams. Touch buttons are *NOT* intended to be and should *NOT* be installed as a hall component at an elevator entrance. If you need to replace the buttons in your hall station, please consider upgrading to *Survivor/O* buttons.

ELECTRONIC COMPONENTS



O862 solid-state activated switch assembly

65 & 73 TERMINAL BOARDS

Adams part no.	Otis part no.	Description
O876	CSG	Car button
O877	HSJ	Hall button

ASSEMBLY

Adams part no.	Otis part no.	Description
O862	2050 tube 607C1	Solid-state activated switch

ALSO AVAILABLE FOR REPLACING EXISTING TOUCH TUBES



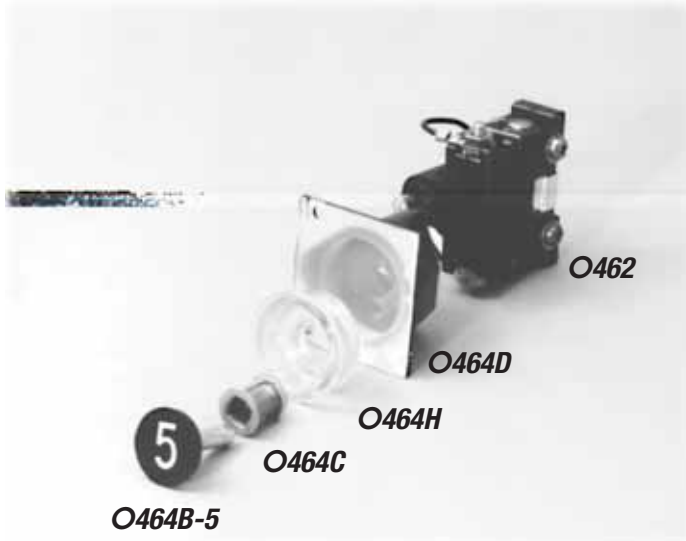
425P1
Otis
Touch Tube
2.18" L x .68 O.D.



425D1
Otis
Touch Tube
4.12" L x 1.56" O.D



425B1
Otis
Touch Tube
3" L x 1.00" O.D.



O464-SERIES MECHANICAL PUSHBUTTONS

Adams manufactures a complete line of replacement pushbuttons and pushbutton components for the Otis Type A7069A1 mechanical pushbutton.

Buttons are 7/8" round black ABS plastic with molded white characters. Each button is molded onto a 1"-long steel stem with 1/4" square steel shoulder. Halos are clear Lexan™.

O464 MECHANICAL BUTTONS AND ASSEMBLIES		
Adams part no.	Description	Otis part no.
O464B-[char]	Button	323BP
O464C	Guide, zinc w/brass nut	A385KC1
O464D	Pushbutton base	306KJ1
O464H	Clear Lexan halo	306JG2
O462	Mechanical switch w/lamp	7035A28
A487L5	Neon lamp, 0.025 amps/120V (sold 10/pkg.)	424G1

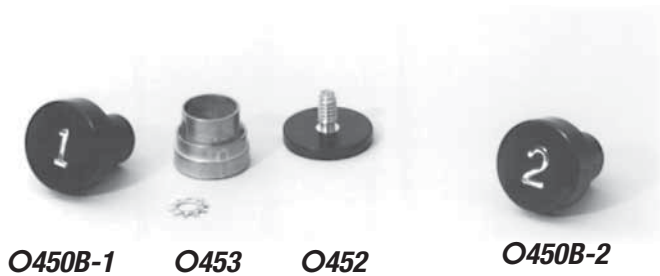
Lexan-Reg. TM General Electric Corporation

HALL STATION COVER PLATES (3" x 10") FOR OTIS MECHANICAL PUSHBUTTONS

HALL STATION PLATES (3" X 10")		
Adams part no.	Description	Otis part no.
O464CP1	Terminal, formed stainless	147FD3-3
O464CP2	Intermediate, formed stainless	147FD4-4
O464CP3	Terminal, formed bronze	147FD3-7
O464CP4	Intermediate, formed bronze	147FD4-7
O464CP5	Terminal, flat stainless	147JF3-3
O464CP6	Terminal, flat bronze	147JF3-7
O464CP7	Intermediate, flat stainless	147JF4-3
O464CP8	Intermediate, flat bronze	147JF4-7



0450-SERIES PUSHBUTTONS



Black Lexan button (7/8" dia.); chrome plated characters are molded into button face. Available as components only.

0450 SERIES PUSHBUTTONS		
Adams part no.	Otis part no.	Description
O450B-[char.]	A323AF1	Button only
O452	—	Button base
O453	—	Button guide

0451-SERIES PUSHBUTTONS



Black Lexan button (1 1/32" dia.) white plastic character inserts molded into button face. Available as components only.

0451 SERIES PUSHBUTTONS		
Adams part no.	Otis part no.	Description
O451B-[char.]	323BD1	Button only
O452	—	Button base
O453	—	Button guide
O454	—	Spring

Also available in red for BLANK (order O451B-RBL) or EMER CALL (order O451B-REC; Otis part no. 323BD6).

0467-SERIES PUSHBUTTONS



Black Lexan™ buttons with white characters hot-stamped into the face; clear caps are sonically welded to 1"-dia. button body. Replaces O450 & O451 in newer Otis installations. Available as components only.

0467 SERIES PUSHBUTTONS		
Adams part no.	Otis part no.	Description
O467B-[char.]	A323BD1	Button only
O452	—	Button base
O453	—	Button guide
O454	—	Spring

Lexan—Reg. TM General Electric Corporation

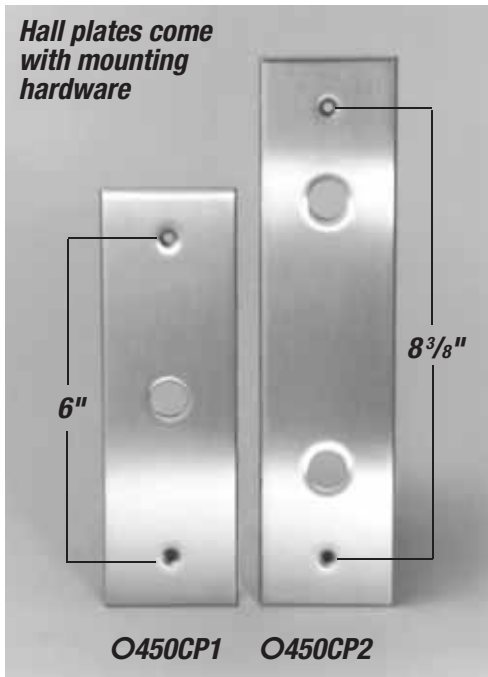
Also available in red for BLANK (order O467B-RBL) or EMER CALL (order O467B-REC; Otis part no. A323BD6).



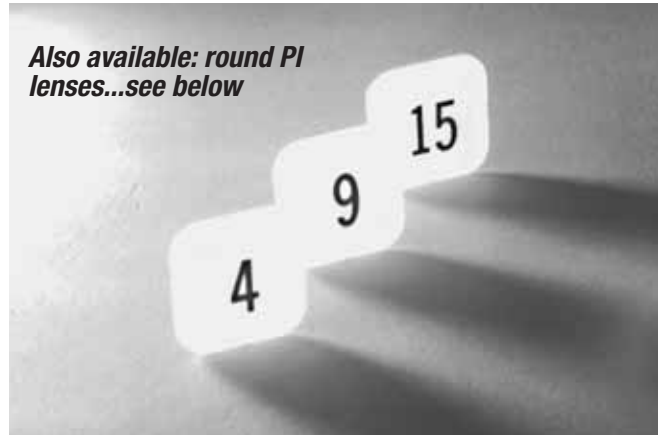
Swaging tool

Installs O450, O451 and O467-series push-buttons to cover plates; use with O453 button guide MT114289

Hall plates come with mounting hardware



Also available: round P.I lenses...see below



P.I. Lens Replacements

These hot-stamped P.I. lenses are 1-to-1 replacements for the 1⁹/₁₆" x 1⁹/₁₆" x 7/₃₂" lenses found in original Otis units. They replace Otis part no. 499AD.

O488W-[char] for square P.I. lens replacement

O489W-[char] for round P.I. lens replacement

HALL STATION COVER PLATES	
Adams part no.	Description (mounting holes are 1 ⁵ / ₁₆ " from end on both models)
O450CP1	Hall plate (terminal) for one O-450-[arrow] pushbutton; stainless steel, 2 ¹ / ₂ " x 7 ¹³ / ₁₆ "
O450CP2*	Hall plate (intermediate) for two O-450-[arrow] pushbuttons; stainless steel, 2 ¹ / ₂ " x 10 ¹ / ₄ "



O-467, O-450 & O-451 ACCESSORIES		
Adams part no.	Description	Otis part no.
O450VB	Vandal resistant button; machined to a bullet shape out of aluminum rod stock; for installations requiring vandal-resistant pushbuttons; can be substituted for O-450, O-451, and O-467-series buttons	VP728210
O450D	Aluminum pushbutton, 7/8" dia.; replaces O-450-series plastic buttons	—
O451D	Aluminum pushbutton, 1 1/32" dia.; replaces O-451-series plastic buttons	—

7069AF SERIES BUTTONS	
Part No.	Description
7069AF1	BLANK
7069AF11	UP ARROW
7069AF12	DOWN ARROW
7069AF3	DOOR OPEN
7069AF37	EMERGENCY STOP SWITCH
7069AF41	DOOR OPEN
7069AF42	DOOR CLOSE
7069AF7	ALARM SYMBOL
7069AF9	FIRE SERVICE RESET
Call for other designations	

Also Available	
278EA1	BUTTON SHIELD REFLECTOR



BUTTON CAPS FOR 7069AF SERIES	
Part No.	Color
323DA1	WHITE
323DA2	GREEN
323DA3	YELLOW

BUTTON INSERTS FOR 7069AF SERIES	
Part No.	Floor Marking
250D1	1
250D11	B
250D2	2
250D21	21
250D3	3
250D4	4
250D5	5
250D6	6



KEYSWITCH DETAILS

Keyswitch Part No.	LEGEND				Key Function	Insert Part No.	Key	Key Part No.	Mtg Plt Thickness
7069AH10	FIRE SERVICE	ON	OFF	BYPASS	Remove Off On	250E21	UTF	6410W-UTF	0.040
7069AH11	FIRE SERVICE	OFF	ON		Remove at Off	250E20	UTF	6410W-UTF	0.040
7069AH36	FIRE SERVICE	ON	OFF		Remove at Off	250E20	UTF	6410W-UTF	0.040
7069AH48	FIRE SERVICE	ON	OFF	BYPASS	Remove Off On	250E21	UTF	6410W-UTF	0.125
7069AH58	FIRE SERVICE	ON	HOLD	OFF	Remove On Hold Off	250E35	UTF	6410W-UTF	0.040
7069AH4	ATTENDANT SERVICE	ON	OFF		Remove at On Off	250E14	UTC	6410W-UTC	0.040
7069AH34	IND. SVC.	GROUP			Remove at Both	250E32	UTA	6410W-UTA	0.040
7069AH9	ACCESS	OFF			Momentary Center	250E19	UTE	6410W-UTE	0.040
7069AH33	CAR TOP	INSPECT	OFF		Remove at Both	250E31	UTA	6410W-UTA	0.040
7069AH16	Symbol (LIGHT)	0	1		Remove Both	250E15	UTA	6410W-UTA	0.040
7069AH21	LIGHT	0	1		Remove Both	250E15	UTA	6410W-UTA	0.040
7069AH17	FAN	OFF	ON		Remove Both	250E17	UTA	6410W-UTA	0.040
7069AH42	Symbol (2SPD FAN)	1	0	11	Remove All Positions	250E34	UTA	6410W-UTA	0.040
7069AH38	LIGHT RAY	ON	OFF		Remove at On Off	250E33	UTA	6410W-UTA	0.040
7069AH59	REAR LIGHT RAY	ON	OFF		Remove On Off	250E36	UTA	6410W-UTA	0.040
7069AH40	Symbol (UP ARROW Hall Call)	ARROW			Momentary Center	250E26	UTD	6410W-UTD	0.040
7069AH41	Symbol (DN ARROW Hall Call)	ARROW			Momentary Center	250E26	UTD	6410W-UTD	0.040
7069AH26	Symbol (EXPRESS SERVICE)	1	0		Momentary Center	250E23	UTD	6410W-UTD	0.060
7069AH60	(Emergency Stop Switch)	RUN	STOP		Remove at Both	250E37	UTA	6410W-UTA	0.040



250E35



250E32



250E34



250E19



7069AH33



7069AH34



7069Y1-BL



323CK1



386BNM1



177BS1

COMPONENTS FOR 7069Y SERIES BUTTONS

Part No.	Description
323CK1	BUTTON HALO 1" DIA.
386BNM1	BUTTON ADAPTOR PLATE
177BS1	BUTTONS SWITCH
7069Y1	BUTTON AND HALO ASSB, INCLUDES 177BS1

MISC. COMPONENTS FOR OTIS BUTTONS

Part No.	Description
7069AG2	JEWEL ASSEMBLY
7069AG31	BUTTON ASSEMBLY
7069AG32	BUTTON ASSEMBLY
278CE2	BUTTON SHIELD
306GD2	INSULATOR BASE
278AN1	BUTTON SHIELD FOR TOUCH BTN



7069AG31 & G32
Otis
Push Button Assy



7069AG2
Otis
Jewel Module



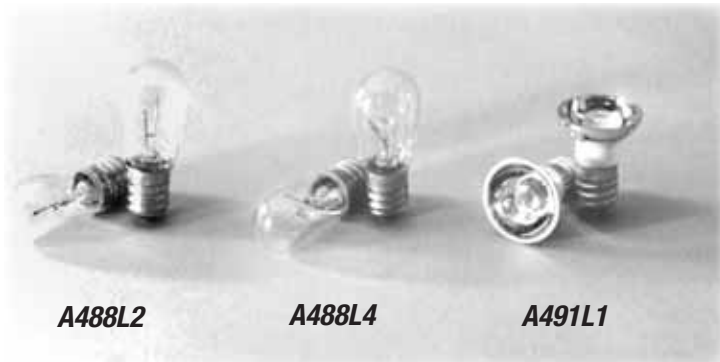
306GD2
Otis
Insulator Base



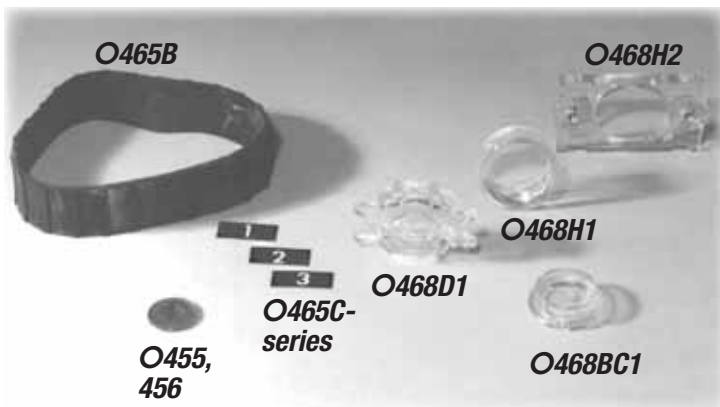
278CE3
Otis
Button Shield



278AN1
Otis
Button Shield



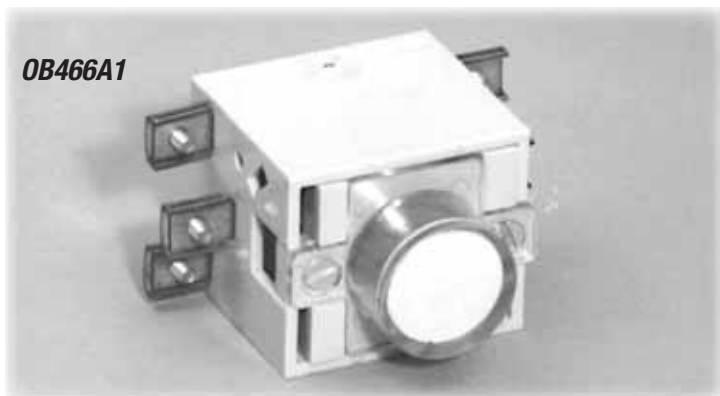
INCANDESCENT LAMPS		
Adams part no.	Description	Otis part no.
A488L2	12V/6W, candelabra base; 10/ pkg.	6599D6
A488L4	120V/6W, candelabra base; 10/pkg.	6599D8
A491L1	Reflector-type 120V, candelabra base; 10/pkg.	424H1



ACCESSORIES		
Adams part no.	Description	Otis part no.
O455	Hall station marker/jewel, red, w/arrow; ¹³ / ₁₆ " dia.	499Z5
O456	Same as O455, green, w/arrow; ¹³ / ₁₆ " dia.	499Z6
O465B	Rubber band for dial indicator, 24 slots	297F1
O465C	Characters for dial indicator, white on black; ⁷ / ₁₆ " x 1" plastic; available numerals 1 thru 30, L, LL, M, B; order part no. O465C-[character]	428E1
O468BC1	Pushbutton cap, clear Lexan™	323CK1
O468D1	Actuator, clear Lexan	306MN1
O468H1	Halo, clear Lexan	306MK1
O468H2	Halo adaptor	386BNM1

Lexan—Reg TM General Electric Corporation

**MORE INCANDESCENT AND LED LAMPS
AVAILABLE THROUGHOUT THE CATALOG.**

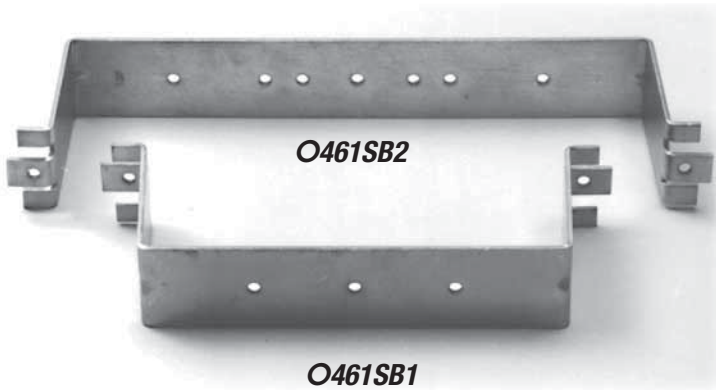


EUROPEAN PUSHBUTTON SWITCH ASSEMBLY		
Adams part no.	Description	Otis part no.
OB466A1	Pushbutton switch assembly, normally open; for European-market cabs & hall stations	—

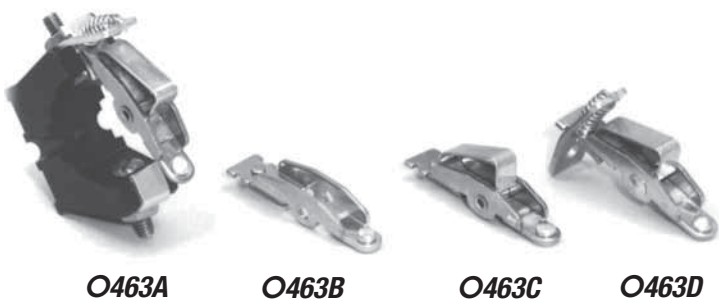


MECHANICAL PUSHBUTTON SWITCHES			
Adams part no.	Type of contacts	Button mtl.	Otis part no.
O461A1	Single MAKE	Steel	7035A9, A2
O461A2	Single BREAK	Plastic	7035A25, A23
O461A3	Single MAKE/BREAK	Steel	7035A8, A1
O461A4	Double MAKE (2 switches)	Steel	7035A11, A4
O461A5	Double MAKE/BREAK (2 switches)	Steel	7035A10, A3
O461B1	Single MAKE/BREAK; button = 3/4" dia. x 3/4"L	Tenite	7035A12, A5
O461B2	Single MAKE/BREAK; button = 3/4" dia. x 3/8"L	Tenite	7035A14, A7
O462	Single MAKE w/pilot lamp for O-464 mechanical switch	Steel	7035A28, A27

NOTE: MAKE is normally open and BREAK is normally closed.
O462 includes A487L5 Lamp.



STANDOFF FIXTURES		
Adams part no.	Description	Otis part no.
O461SB1	Mount one (1) O461-series mechanical pushbutton switch; includes 2 spring clips, not shown	6600A83
O461SB2	Mount two (2) O461-series mechanical pushbutton switches; includes 2 spring clips, not shown	6600A80



PUSHBUTTON CONTACTS		
Adams part no.	Description	Otis part no.
O463A	Pushbutton ass'y. w/single MAKE contact	6526G1
O463B	Pushbutton contact	150H5
O463C	Pushbutton contact with spring & eyelet	150H7
O463D	Pushbutton contact with spring, eyelet & guide	150H9

MISCELLANEOUS ELECTRICAL



HT200750-1
Otis
Veloc. Transformer



225CG3
Otis
Transformer



HT206412-2
Otis
Gen. FLD P/A



HT200710-2
Otis
Transformer



HT201781-1
Otis
Power Supply



A6379P1
Otis
Inductor Switch



6333CC2
Otis
Motor, Operator 7770A
.25 HP, 90 VDC, 65 RPM



6333AJ1
Otis
Motor, GE .500HP DC

SMALL MISCELLANEOUS SWITCHES

Otis Knife

Switch Assembly

12110 - Used with EA safety car switch

12111 - Used with E safety car switch



232C8
Otis
Rheostat, 100W,
100 Ohms, 3.13" dia.



177GB7
Otis
Switch, Rotary



177CC5
Otis
Switch, 3 Pos., 8
Pin, 2 Hole



180DA1
Otis
Switch Holder,
Double



180DA2
Otis
Switch Holder,
Single



177DA1
Otis
Micro Switch, 5
Amps, 125/250
VAC



4514A18
Otis
Door Switch

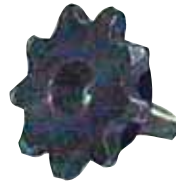
SPROCKETS FOR DOOR SYSTEMS



195AT2
Otis
Sprocket



195CH2
Otis
Sprocket
12 teeth
1.56" O.D.
for 6850A, B, C



195CP2
Otis
Sprocket
9 teeth 1.25" O.D.
.75" W
.325" I.D.
Used on 305 Operator



195GK2
Otis
Sprocket
.626 I.D.
10 teeth
Used on 7300A,AA

SHEAVES AND ROPES



251BT3
Otis
Sheave Rope



265BC2
Otis
Sheave
5" diameter



265BD2
Otis
Sheave
2 5/8" diameter

SHEAVE ROPES	
Part No.	Description
251BT3	27" Drive Sheave, 1/2" Treaded Rope
251BT5	30" Drive Sheave, 1/2" Treaded Rope
251BV1	32" Drive Sheave, 5/8" Treaded Rope
251BV5	28" Drive Sheave, 5/8" Treaded Rope

MISCELLANEOUS BUSHINGS



335E22
Otis
Oil lite Bushing



335E86
Otis
Oil Lite Bushing



321CJ4
Otis
Bushing



128AG61
Otis
Washer 1.50" O.D.,
1.00" I.D., .016" Thk.



334C1
Otis
Bushing



335E84
Otis
Oil Lite Bushing

BUSHINGS				
Part No.	O.D.	I.D.	Length	Flange
321CJ4	1.475"	.75"	1.12"	.188" dia.
321CJ3	1.398"	.75"	1.13"	.188" dia.
212T4	1.13"	1.00"	1.00"	n/a
335E22	1.25"	1.00"	0.75"	n/a
335E84	0.88"	0.75"	1.12"	n/a
335E86	0.63"	0.50"	0.37"	n/a
335H7	.75"	.50"	.62"	.88" dia.
335H12	.68"	.50"	.63"	.88" dia.

*212T4 Used on R Governor



278T5
Otis
Moveable Contact Arm



287R4
Otis
Moveable Contact Arm



288LL2
Otis
Lever w/Bushing



288MB4
Otis
Roller Arm



2700ADZ1
Otis
Door Lock



327DJ4
Otis
Cam



327AV1
Otis
Cam



327CX6
Otis
Cam



327AV3
Otis
Cam



327CX2
Otis
Cam



2166J3
Otis Cam
2166J4 Also Available



180AE2
Otis
Switch Holder



316AHJ1
Otis
Bracket



316BCR1
Otis
Bracket



297C1
Strap Gate 30"



386TZ1-3
Otis
Escutcheon-SS



488B1
Otis
Felt Wick



174AB1
Otis Cable

Also Available
Cables
174AK2
174AV1



142740
Otis
Cable 14" Long



13433
Otis
Insulator



18066
Otis
Insulator



346AEH1
Otis
Black Neoprene
Cover



456By1
Otis
Limit Switch Roller

BEARINGS



2700AEJ1
Otis
Bearing & Pin



209AF2
Otis
Bearing
O.D. 1.31", I.D. 1.00", 1"L,
Needle Roller, w/Caged
open end



467AT1
Otis
Roller Bearing



456G1
Otis
Roller Bearing



132350
Otis
Motor Bearing Sleeve,
Bronze (DC/DC & AC/DC),
O.D. 2.75", I.D. 1.75", 4.50"L



207R2
Otis
Ball Bearing
O.D. 1.81", I.D. .393"



207BN1
Otis
Ball Bearing,
w/Double Row &
Double Seal, O.D.
1.18", I.D. .39", 1.10"L



207AN1
Otis
Ball Bearing
w/Adaptor, Single Row
Radius, w/Double Shield
O.D. 2.83", I.D. 1.13", 1.53"L



124BS1
Otis
Ball Screw



124CA1
Otis
Screw



172PM1
Otis
Retaining Ring



172DR3
Otis
Retaining Ring



172DR6
Otis
Retaining Ring



65EA2
Otis
Bolt



145C3
Otis
Brake Lining Rivet



59P2
Otis
Bolt



462GR1
Otis
Washer



129AR1
Otis
Washer



129BT1
Otis
Washer



129DH2
Otis
Washer



131BG1
Otis
Washer



131BD1
Otis
Washer



10014
Otis
Insulator



133A7
Otis
Washer



131Z2
Otis
Washer



310BE1
Otis
Sound Isolation Pad



18074
Otis
Insulator Tube



607C1
Otis
Diode Tube



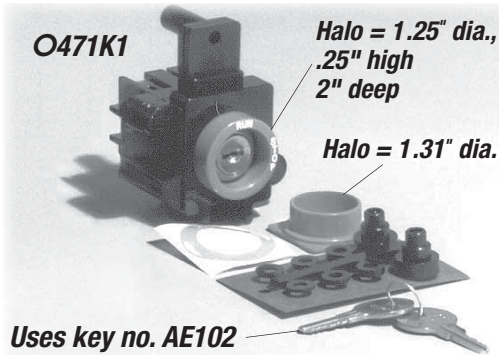
136R10
Otis
Tube Magnet Core



6631C1
Otis
Stepper



623E2
Otis
Timer



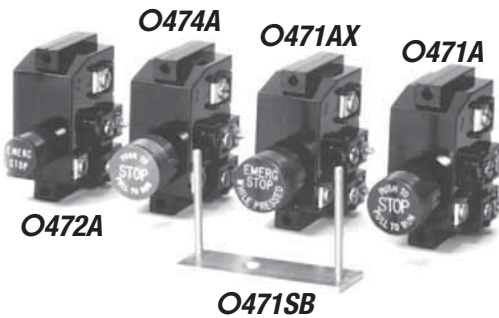
Keyed Stop Switch

ASME A17.1, 210.2(v), 1990 requires **keyed stop switches** in new passenger elevators where STOP switches are specified. Our Otis complete keyed switch meets this requirement with great attention to detail.

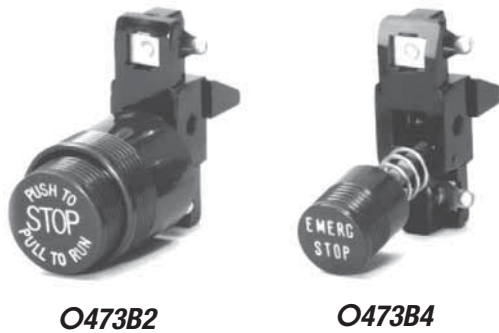
Great for replacements as well: Conventional push/pull STOP switches allow vandals to leave elevators stranded, criminals to stop between floors to rob tenants, and passengers to interrupt elevator operation accidentally by leaning against the car panel.

Adams keyed STOP switch for Otis comes with assorted spacers, so you need only stock one STOP switch for all your Otis installations!

O471K1. 2 NC contacts. (Key No. AE102) **O471K2.** 1NO/1NC contacts.

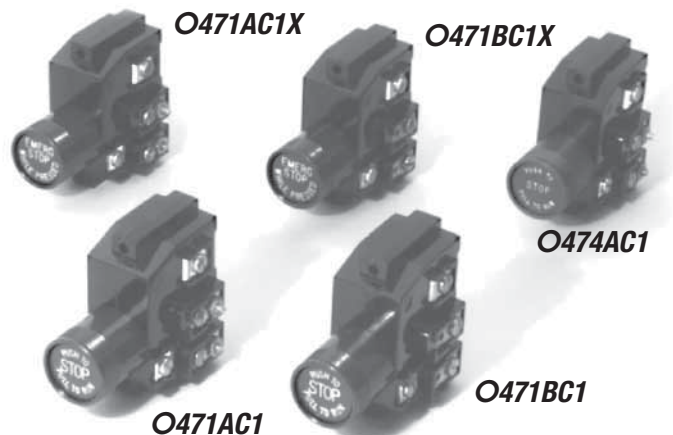


COMPLETE STOP SWITCHES			
Adams part no.	Description	2NC / 1NO AUX	Otis part no.
O471A	Red phenolic button, 1" dia., w/auxiliary contacts		7014A1
O471B	Same as O-471A, w/o auxiliary contacts		7014A2
O471AX*	Same as O-471A, with momentary contact and engraved "STOP While Pressed"		n/a
O471BX*	Same as O-471B, with momentary contact and engraved "STOP While Pressed"		n/a
O472A	Switch with 3/4" dia. button, w/auxiliary contacts		GS1-7014A1
O472B	Same as O-472A, w/o auxiliary contacts		GS1-7014A2
O472C	Same as O-472A, w/spring return & auxiliary contacts		GS1-7014A3
O472D	Same as O-472C, w/o auxiliary contacts		GS1-7014A4
O474A	Same as O-471A, with aluminum pushbutton		n/a
O474B	Same as O-472A, with aluminum pushbutton		n/a
O471SB	Mounting base for all complete STOP switches listed; 1" x 3 1/8", with 2 welded studs		6800DJ1



STOP BUTTON & CAM ASSEMBLIES		
Adams part no.	Description	Otis part no.
O473B1	Phenolic button and cam assembly, 1" dia.	A7014B1
O473B2	Phenolic button & collar with cam assembly, 1" dia.	A7014B5
O473B3	Button and cam assembly, 3/4" dia.	GS1-7014B1
O473B4	Button w/spring return & cam assembly	GS1-7014B2
O473B5	Aluminum button and cam assembly, 1" dia.,	n/a
O473B6	Aluminum button & collar with cam assembly, 1" dia.	n/a
O473B1X	Phenolic button & cam assembly, 1" dia.; engraved "STOP While Pressed" (Canadian model)	n/a
O473B2X	Phenolic button & collar with cam assembly, 1" dia.; engraved "STOP While Pressed" (Canadian model)	n/a
O370S1	Return spring; 17/64" I.D. x 1 13/16" L; 0.013 wire dia., 11 turns	90GA2

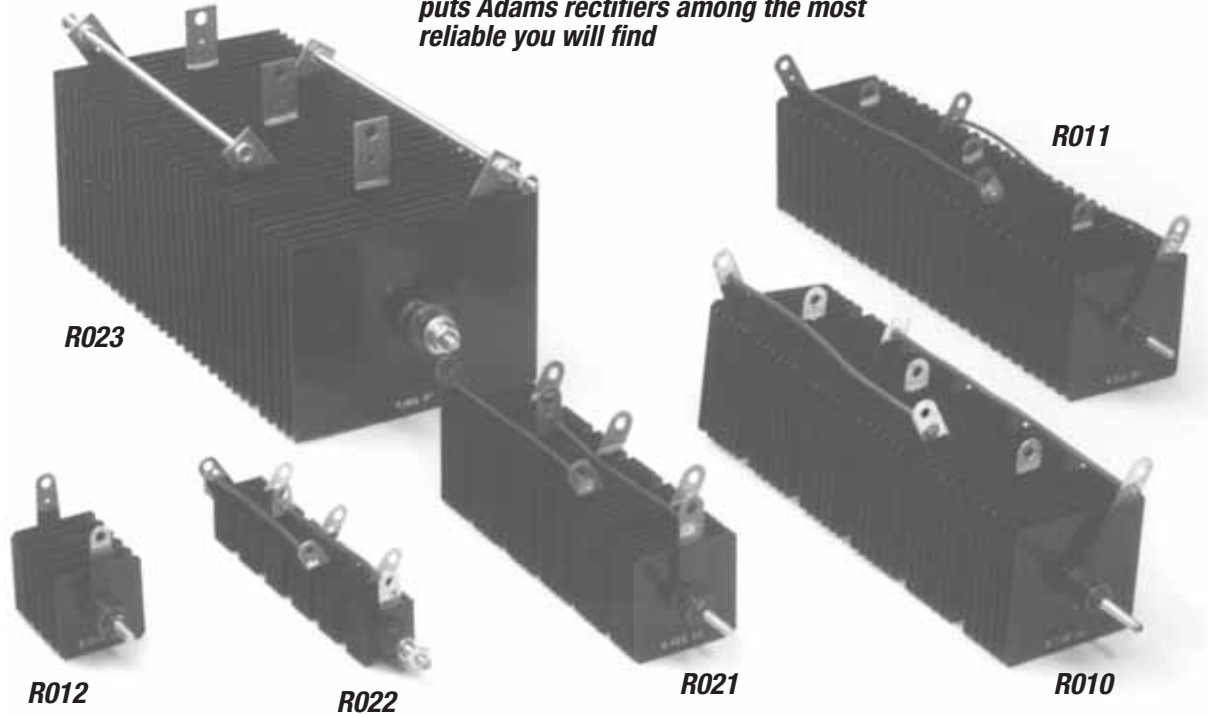
STOP SWITCHES WITH COLLARS		
Adams part no.	Description	Otis part no.
O471AC1	Red phenolic button & collar, 1" dia., w/auxiliary contacts	7014A9
O471BC1	Red phenolic button & collar, 1" dia., w/o auxiliary contacts, 2NC w/o Aux	7014A10
O471AC1X*	Same as O471AC1 , with momentary contact; engraved "STOP While Pressed"	n/a
O471BC1X*	Same as O471BC1 , with momentary contact; engraved "STOP While Pressed"	n/a
O474AC1	Same as O471AC1 , with aluminum button & collar, 1NO, 2NC w/Aux contacts	n/a



*Canadian model.
 Contacts 2NC, Auxiliary, 1NO

Replacements for Otis Rectifiers

Pure selenium laminate on each plate puts Adams rectifiers among the most reliable you will find



RECTIFIERS								
Adams part no.	Dimensions	Electrical configuration	Nom. wattage	No. of plates	Max AC input	DC output		Otis part no.
						Max. volts	Nom. amps	
R010*	2 ⁵ / ₈ " x 2 ⁵ / ₈ " x 11 ⁷ / ₈ "L	3Φ bridge	250W	36	156VAC	190VDC	2.2	230AG1 230BJ2
R011 R012	2 ⁵ / ₈ " x 2 ⁵ / ₈ " x 12"L 1 ⁵ / ₈ " x 1 ⁵ / ₈ " x 3 ¹ / ₄ "L	3Φ bridge 1Φ half-wave	400W 60W	30 6	130VAC 156VAC	157VDC 68VDC	4.4 0.85	230AJ1 230AZ1
R021 R022	2" x 2" x 9 ¹ / ₈ "L 1" x 1" x 6 ⁵ / ₈ "L	3Φ bridge 3Φ bridge	125W 25W	30 30	130VAC 130VAC	157VDC 157VDC	1.1 0.25	230AL1 230AL2
R023*	4" x 5 ³ / ₈ " x 12"L	3Φ bridge 3Φ bridge 3Φ bridge	2000W 2000W 1000W	30	130VAC	157VDC	17.6 17.6 8.8	230BJ5 230BA1 230AL3
R050*	1" x 1" x 2 ¹ / ₈ "L	1Φ half-wave	10W	6	156VAC	68VDC	0.13	230AR1 230AR2 230AR3
R061 R062*	4" x 5 ³ / ₈ " x 3 ¹ / ₈ "L 1 ³ / ₈ " x 1 ³ / ₈ " x 7 ⁵ / ₈ "L 1 ⁵ / ₈ " x 1 ⁵ / ₈ " x 7 ⁵ / ₈ "L	1Φ half-wave 3Φ bridge 3Φ bridge	350W 85W 125W	4 30 30	104VAC 130VAC 130VAC	44VDC 157VDC 157VDC	7.2 0.75 1.1	230AV1 230AW1 230BJ1
R025 R026 R065	2 ⁵ / ₈ " x 2 ⁵ / ₈ " x 13 ¹ / ₈ "L 4" x 4" x 13 ¹ / ₈ "L 1 ³ / ₅ " x 1 ³ / ₅ " x 3 ¹ / ₄ "L	3Φ bridge 3Φ bridge 1Φ bridge	500W 1000W 45W	30 30 20	130VAC 130VAC 130VAC	157VDC 157VDC 100VDC	4.4 8.8 .5	230BJ3 230BJ4 230AY3

*Replaces all Otis parts listed.

1 3/8" dia. and 2 1/2" dia.
clips available separately
below, pictured at right



CAPACITOR CLIPS	
Adams part no.	Capacitor diameter
C012-02	1 3/8"
C021-01	2 1/2"

ALUMINUM ELECTROLYTIC CAPACITORS						
Adams part no.	Capacitance (μf)	Max input voltage (AC/DC)	Diameter	on (+) term.	Timer avail. below	Otis part no. Resistor
C001	8	450	1 3/8"	n/a		226C1
C005	1	600	1 3/8"	n/a		226D1
C006	2.5	600	1 3/8"	n/a		226D2
C011	125	150	1 3/8"	n/a	✓	226H1
C012	250	150	1 3/8"	n/a	✓	226H2
C013	125	150	1 3/8"	C025*	✓	226H3
C014	250	150	1 3/8"	C025*	✓	226H4
C015	5	150	1 3/8"	n/a		226H5
C021	1600	150	2 1/2"	n/a		226W1
C022	1600	150	2 1/2"	C025*		226W2

*Adams part no. C025 resistor replaces Otis part no. 232AE1 and is available separately at right.

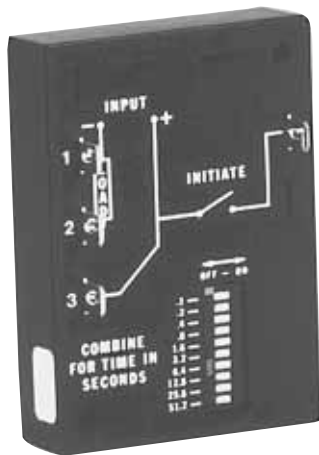
RESISTOR TUBE

C025 resistor (250W/10W) is used with capacitors C013, C014 and C022; replaces Otis part no. 232AE1.

O21P2 terminal stud for C025 resistor.



C025 resistor, shown separately and installed on capacitor no. C-013 with O21P2 terminal stud in place



A103C1

A103C1 SOLID-STATE TIMER

No more changing out bad capacitors! This solid state, 20-120V DC only timer is for:

- Delay on BREAK
- Delay after DE-ENERGIZE
- OFF delay
- Delayed DROP OUT

Dip switches on back can be set from 0.1 to 102.3 seconds.

MORE CAPACITORS...



226W3
Otis
Capacitor



226H7
Otis
Capacitor

RESISTORS

ADJUSTABLE RESISTORS			
Part No.	Watts	Ohms	Length
232AA40	400	1.32	10.06"
232AA42	400	2.08	10.06"
232AA48	400	14.1	10.06"
232B10	30	150	3"
232B11	30	200	3"
232B20	30	1500	3"
232B3	30	10	3"
232B6	30	25	3"
232B7	30	50	3"
232E126	60	40	8"
232E127	60	50	8"
232E130	60	125	8"
232E131	60	150	8"
232Y20	20	250	2"
232Y25	20	400	2"



232E126
Otis
Adjustable Resistor,
8"L, 60W, 40 ohms



232Y25
Otis
Adjustable Resistor,
2"L, 20W, 400 ohms



232B11
Otis
Adjustable Resistor,
3"L, 30W, 200 ohms



232B10
Otis
Adjustable Resistor,
3"L, 30W, 150 ohms

AUDIBLES



311B2
Otis
Gong



311B8
Otis
Gong w/Coil



311B1
Otis
Gong



311B4
Otis
Gong w/Coil



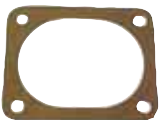
6219D1
Otis
Buzzer



4356E1
Otis
Emerg. Alarm Bell
12V

GASKETS FOR DOOR OPERATORS

6970A OTIS



376CV1
Otis
Gasket



372DE1
Gasket for 6970A
Door Operator



376CX1
Otis
Gasket

MISCELLANEOUS DOOR BUMPERS



320AD2
Otis
Bumper 1.625"W



320AM1
Otis
Bumper



320CD1
Otis
Bumper

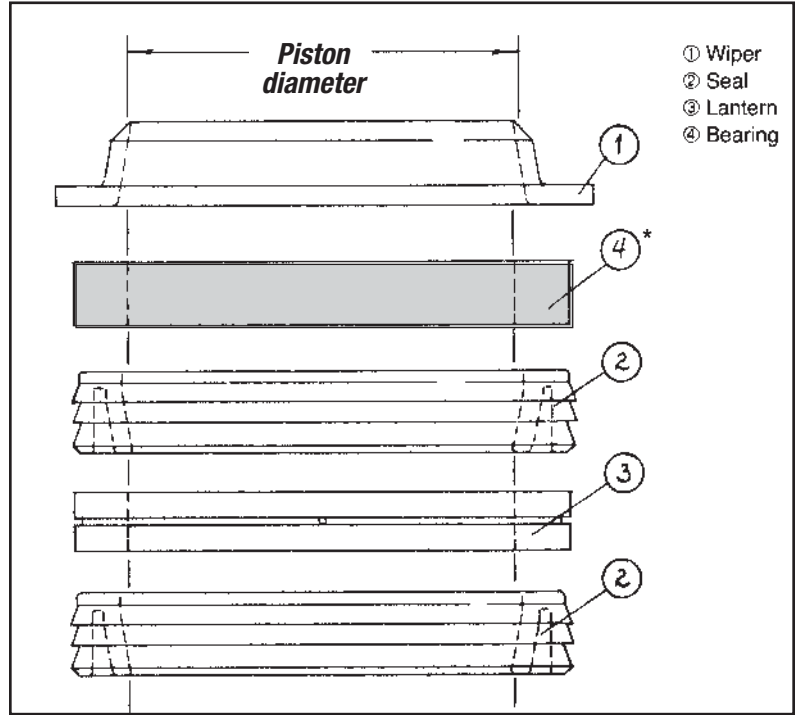
OTIS/CAST IRON HYDRAULIC PACKING KITS

Each hydraulic packing kit for Otis/Cast Iron consists of:

- Two (2) seals
- One (1) wiper
- One (1) lantern ring

OTIS/CAST IRON		
Adams part no.	Piston diameter	Bearing no.*
GK03875OC	3 ⁷ / ₈ "	GB03875B1
GK04375OC	4 ³ / ₈ "	GB04375B1
GK05437OC	5 ⁷ / ₁₆ "	GB05437B1
GK06500OC	6 ¹ / ₂ "	GB06500B1
GK07500OC	7 ¹ / ₂ "	GB07500B1
GK08500OC	8 ¹ / ₂ "	GB08500B1
GK09500OC	9 ¹ / ₂ "	GB09500B1
GK10625OC	10 ⁵ / ₈ "	GB10625B1
GK12625OC	12 ⁵ / ₈ "	GB12625B1

*Bearing rings are not included with these kits; they must be ordered separately on page 67.



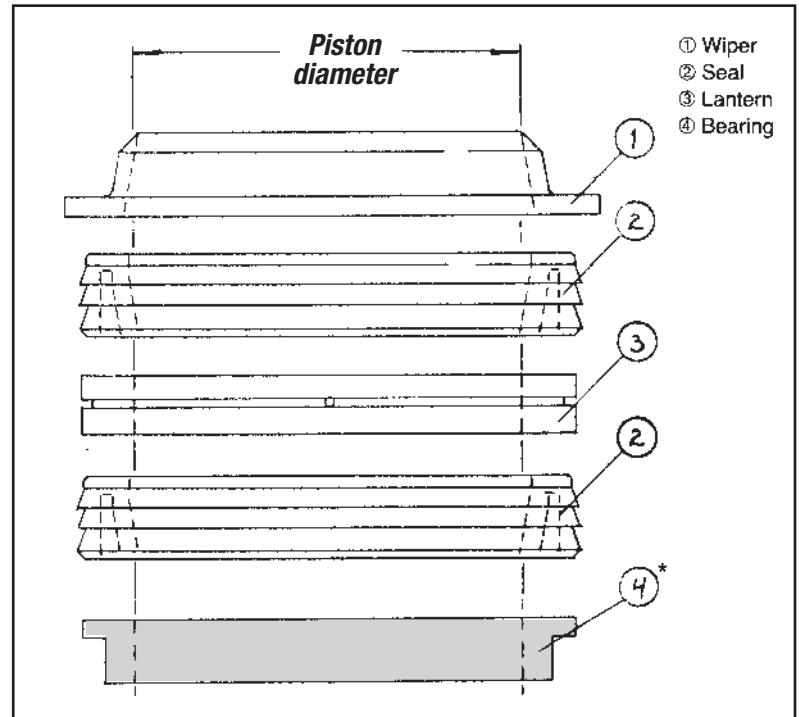
OTIS/WELDED HEAD HYDRAULIC PACKING KITS

Each hydraulic packing kit for Otis/Welded Head consists of:

- Two (2) seals
- One (1) wiper
- One (1) lantern ring

OTIS/WELDED HEAD			
Adams part no.	Piston diameter		Bearing no.*
	Actual	Otis desig.	
GK03875OW	3 ⁷ / ₈ "	4"	GB03875B4
GK04375OW	4 ³ / ₈ "	4 ¹ / ₂ "	GB04375B4
GK04875OW	4 ⁷ / ₈ "	5"	GB04875B4
GK05437OW	5 ⁷ / ₁₆ "	5 ¹ / ₂ "	GB05437B4
GK06500OW	6 ¹ / ₂ "	6 ¹ / ₂ "	GB06500B4

*Bearing rings are not included with these kits; they must be ordered separately on page 67.



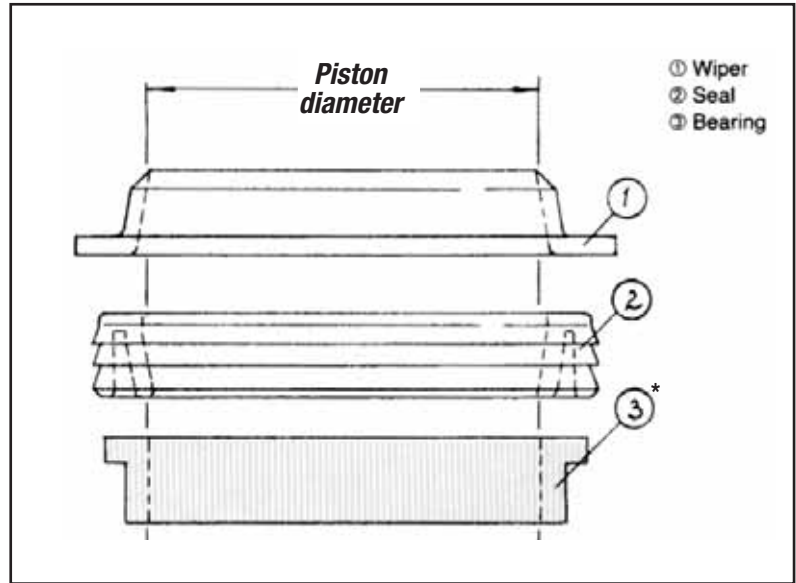
SEE NEXT PAGE FOR
HIGH-PRESSURE AND TELESCOPIC

OTIS/HIGH PRESSURE HYDRAULIC PACKING KIT

Our hydraulic packing kit for Otis/High Pressure consists of:

- One (1) seal
- One (1) wiper

OTIS/HIGH PRESSURE		
Adams part no.	Piston diameter	Bearing no.*
GK02750HP	2 ³ / ₄ "	GB02750B4

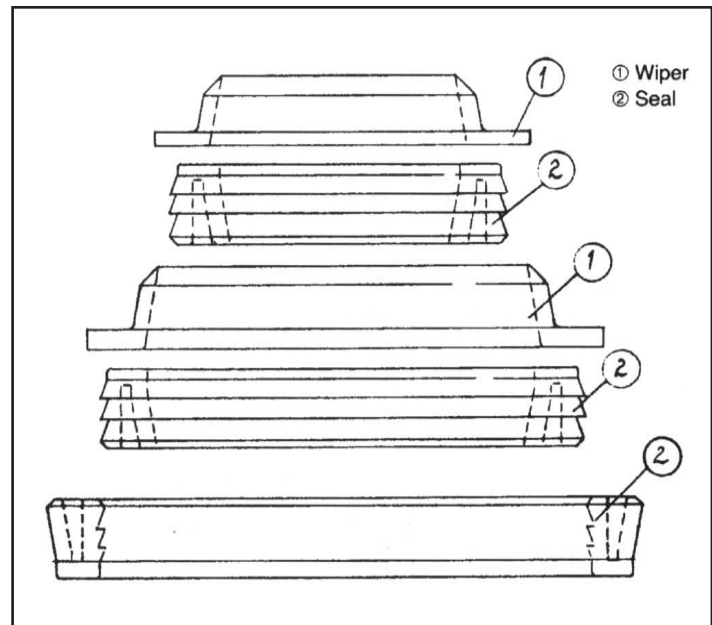


OTIS/TELESCOPIC HYDRAULIC PACKING KIT

Each hydraulic packing kit for Otis/Telescopic consists of:

- Three (3) seals, graduated sizes
- Two (2) wipers, graduated sizes

OTIS/TELESCOPIC	
Adams part no.	Otis series no.
GK1500OT	1500
GK2000OT	2000
GK2500OT	2500
GK4000OT	4000



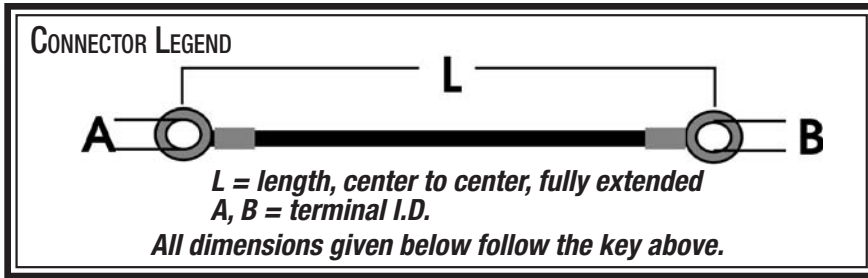
ADAMS REPLACEMENT PACKING FOR OTIS

A patented blend of oil-resistant compounds insures long life without the risk of common “rubber breakdown.”

Unique “wavy” split design for quick and easy installation without disconnecting the motor from the geared unit.

Low friction from special baked-on finish prevents shaft scoring and damage from high temperatures.

OTIS PACKING					
Adams part no.	Machine	Dimensions			Otis part no.
		Shaft dia.	Bore dia	Thick	
AT1R019	#29	3.000"	4.500"	.500"	33D26
AT1R020	#22	2.000"	3.000"	.500"	33D29
AT1R021	#22 old	2.000"	3.250"	.500"	—
AT1R079	#17	1.938"	2.875"	.313"	33AA1
AT1R105	—	5.313"	6.250"	.500"	33D20



EXTRA-LONG SILICONE COVERED				
Adams part no.	Dimensions			Otis part no.
	A	B	L	
O508	3/8"	3/8"	15 1/2"	175A33
O509	3/8"	3/8"	10 1/2"	106594

SILICONE COVERED (O-520-SERIES)*				
Adams part no.	Dimensions			Otis part no.
	A	B	L	
O520A	0.171"	0.171"	4 3/4"	175J1
O520B	0.171"	0.171"	2 1/2"	175J2
O520C	0.171"	0.171"	7 1/4"	175J3
O520D	0.171"	0.171"	2 1/2"	175J4
O520E	0.171"	0.171"	3 1/2"	175J5
O520F	0.171"	0.171"	3 3/4"	175J6
O520G	0.171"	0.171"	5 1/4"	175J8
O520H	0.171"	0.171"	5 3/4"	175J9
O520J	0.171"	0.265"	4 1/2"	175J16

*Wire size = 33-64, except O520D (33-34) & O520J (26-30).

SILICONE COVERED (O-521-SERIES)†				
Adams part no.	Dimensions			Otis part no.
	A	B	L	
O521A	0.193"	0.193"	3 3/4"	175J88
O521B	0.193"	0.193"	4 3/4"	175J89
O521C	0.193"	0.193"	5 3/4"	175J90
O521D	0.193"	0.193"	7 5/8"	175J122
O521F	0.193"	0.193"	6 1/2"	175J93

†Wire size = 105-40 for all shunts in this series.

SINGLE CONDUCTORS					
Adams part no.	Dimensions			Wire size	Otis part no.
	A	B	L		
O530	17/64"	17/64"	7 1/2"	105-30	175H1
O533	17/64"	17/64"	8"	65-30	175J25
O537	3/16"	3/16"	5 3/4"	105-34	175J80

BRAIDED, WITH TERMINALS PUNCHED THRU FABRIC					
Adams part no.	Dimensions				Otis part no.
	A	B	L	Width	
O542	9/32"	9/32"	4 1/2"	1/2"	118

BRAIDED CONNECTORS, 3/4" WIDE				
Adams part no.	Dimensions			Otis part no.
	A	B	L	
O544A	25/64"	25/64"	6 3/4"	176KA1
O544B	21/64"	21/64"	13 1/2"	176KA3
O544C	17/64"	25/64"	8"	176KA6
O544D	17/64"	17/64"	9 3/4"	176KA8

BRAIDED CONNECTORS, 1/2" WIDE				
Adams part no.	Dimensions			Otis part no.
	A	B	L	
O545A	17/64"	25/64"	7"	176KA4
O545B	17/64"	17/64"	7"	176KA10
O545F	17/64"	21/64"	6 3/8"	176KA9, 14

THIN BRAIDED CONNECTOR, 1/2" WIDE				
Adams part no.	Dimensions			Otis part no.
	A	B	L	
O546B	17/64"	25/64"	6 3/8"	176KA13*

*Replaces 176KA11 & 176KA12



MOTOR BEARINGS

All bearings from Adams are cast for superior strength and rigidity. Cast bearings withstand temperature and pressure better than their

forged counterparts or those machined from bar stock. For long life and reliability, cast bearings should be your first choice.

BRONZE SLEEVE MOTOR BEARINGS					
Adams part no.	Otis casting	Bore	Length	Motor no.	Otis part no.
O600	R-2671	2"	5"	5 & 7½ AC	151357, 121932, 132347
O601	R-2675	2¼"	5¾"	10, 15, 17 AC	151358, 121919, 132346
O602	R-2676	2¾"	6⅞"	20 to 35 AC	151359, 18742, 122236
O604	R-2963	2"	5"	3½, 4, 4½ S	151354, 101319, 132348
O605	R-3110	2⅞"	5⅜"	5½ S & A-S	151355, 101322, 132349
O612	R-2964	1⅞"	3½"	1¼ S, 1½ S, 2½ AC	151352
O613	—	2"	3¾"	71GA, 77G, 83 ES	210R1

BABBITTED MOTOR BEARINGS				
Adams part no.	Bore	Length	Description	Otis part no.
O608	2⅜"	5¼"	Babbitted bearing for 1A/1B MG, 89F motor	Old #1215MO-1; 210AA1 (supercedes 140694)
O609	2⅜"	6"	Babbitted bearing for 2A/2B, 3A, 4AMG, 98G, 112G sets	Old #1084MO-1; 210BA1 (supercedes 138109)

NOTE: Babbitted motor bearings are iron castings sealed and shipped in oil to protect against rust.

MACHINE PACKING



Adams part no.	Diameter		Packing length	Otis part no.
	Worm shaft	Packing space		
O692	1⅝"	2⅞"	1⅜"	182A2
O693	1⅞"	2⅞"	1⅞"	182A3
O694	1⅞"	3⅞"	2⅞"	182A4
O695	2⅞"	3⅞"	2⅞"	182A5
O696	2⅞"	3⅞"	2"	182A6
O697	1⅞"	2⅞"	1"	182A14
O698	1⅞"	2⅞"	1¼"	182A15
O699	1⅞"	3"	2⅞"	182A18

MISCELLANEOUS SEALS



33AA2
Otis
Oil Seal-Solid



182A5
Otis
Packing



182A17
Otis
Packing



182C1
Otis
Packing



33D14
Otis
Oil Seal 2.250" O.D.



O700

O701

O702

O703

O704

Only high-quality malleable bronze is used in our replacement brush holders, making them highly resistant to cracking or fracturing.

Finest materials make our brushes superior to most OEM parts.

Under normal use and with proper installation, you can expect long, trouble-free life. See brushes on next page.

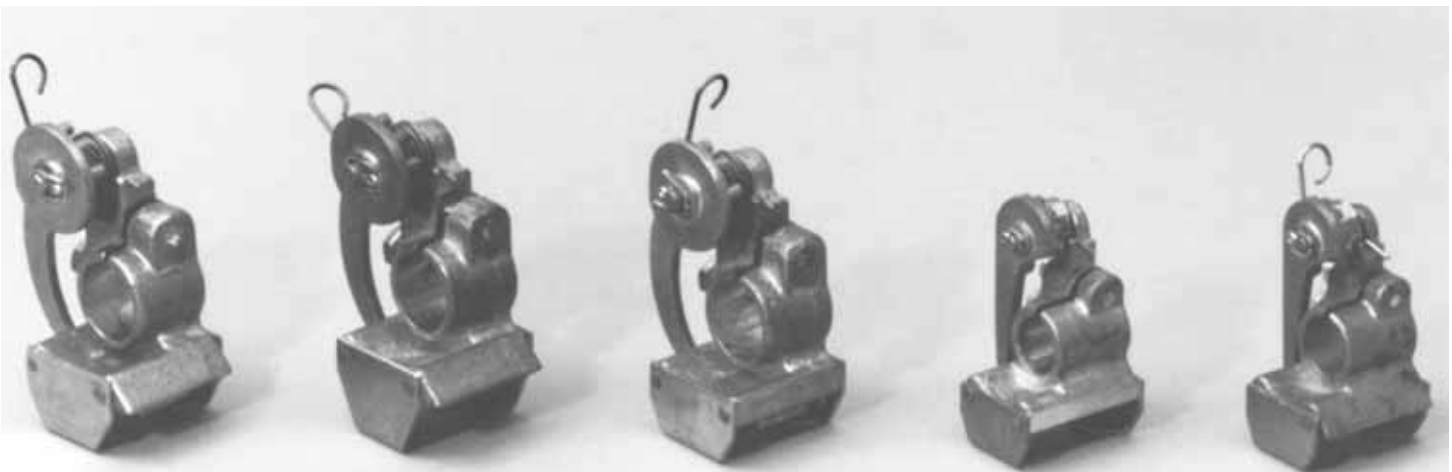
BRUSH HOLDERS (PICTURED ABOVE)

Adams part no.	Brush size	Base size	Otis part no.
O700	2"L x 1½"W x 5/8" thick	Long for 5/8" stud	140535
O701	2"L x 1"W x 3/8" thick	Long for 5/8" stud	6134G6, 140569
O702	2"L x 1"W x 3/8" thick	Short for 5/8" stud	6134G7, 140569
O703	2"L x 1½"W x 5/8" thick	Large for 7/8" stud	140538
O704	2"L x 1½" x 5/8" thick	Short for 5/8" stud	131468

BRUSH HOLDERS (PICTURED BELOW)

Adams part no.	Brush size	Base size	Otis part no.
O705A	2"L x 1½"W x 1/2" thick	For 7/8" stud w/lip	6134A1, A2
O705B	2"L x 1½"W x 5/8" thick	For 7/8" stud w/lip	—
O706A	1¾"L x 1½"W x 3/8" thick	For 7/8" stud w/o lip; spring in 3rd notch	6134B2, B5
O706B	1¾"L x 1½"W x 1/2" thick (not shown)	For 7/8" stud w/o lip; spring in 3rd notch	6134B1, B4
O707A	1¾"L x 1½"W x 3/8" thick	For 5/8" stud w/o lip	6134C2
O707B	1¾"L x 1½"W x 3/8" thick	For 5/8" stud with lip	6134D2

NOTE: For replacement spring, order Adams part no. **O700S1**. See page 296 for more details.



O705A

O705B

O706A

O707A

O707B

Motor Brushes

Adams carbon and graphite brushes are manufactured to match OEM grade and size specifications.

The guide below will help you identify and solve brush-related problems, and help match the Adams to Otis brush that needs replacing.

TROUBLESHOOTING GUIDE												
PROBLEM						PROBLEM						
6	Excessive sparking					Unequal brush wear					7	
5	Rapid brush wear (mechanical)					Chatter					8	
4	Rapid brush wear (electrical)					Breakage					9	
3	Grooving					Film discoloration					10	
2	Heavy streaking					Discolored shunts					11	
1	Threading					Flashover					12	

POSSIBLE CAUSE						REMEDY					
Incorrect neutral setting or machine problem	A					Reset neutral, repair machine fault	A				
Vibration from internal or external source	B	◆				Eliminate source, use shock mounts, check balance bearings	B				
Insufficient or clogged ventilation	C					Increase air flow, remove restrictions	C				
High mica or high commutator eccentricity	D		◆			Remove mica; turn or stone commutator	D				
High ambient or commutator temperature	E					Increase ventilation, lower ambient temperature	E				
Prolonged light load running	F	◆				Change brush grade (ask for our recommendation)	F				
Oil contamination	G	◆	◆	◆	◆	Clean commutator, remove source of contamination	G				
Rapid load changes or control problem	H					Correct machine loading; repair control system	H				
Incorrect or unequal spring pressure	I	◆	◆	◆	◆	Adjust pressure uniformly to recommended value	I				
Faulty shunts or terminal connections	J					Replace brushes, tighten lug connections	J				
Wrong brush grade	K	◆				Use alternate brush grade (ask for our recommendation)	K				
Brush too tight or loose in holder	L		◆			Clean & inspect holders; replace if necessary	L				
Incorrect holder position or spacing	M					Adjust spacing, clearance, and/or angle to specifications	M				

Troubleshooting guide courtesy of Stackpole Manufacturing Company

Otis/Adams Motor Brush Cross-Reference Guide

Otis part no.	Adams part no.	Otis part no.	Adams part no.	Otis part no.	Adams part no.	Otis part no.	Adams part no.	Otis part no.	Adams part no.	Otis part no.	Adams part no.
240B3	0776	240E17	0789	240F12	0761C	240F27	0769	240P4	0773C	184306	0740
240B4	0777	240E18	0792	240F15	0783	240G1	0760	240R1	0757	184448	0741
240B6	0756	240E22	0794	240F19	0782	240G3	0758	240R3	0751	186132	0771D
240C1	0775	240F3	0759GX	240F20	0762	240H4	0781	240R5	0765	186133	0742
240E4	0754	GS240F3	0759G	240F21	0785	240J1	0774	240T5	0744	186142	0763
240E8	0755	240F4	0768	240F22	0759C	240J3	0766	240W1	0752	186206	0771C
240E10	0796	240F5	0767	240F23	0786	240P1	0772	240W3	0743	186207	0771D
240E14	0790	240F11	0761G	240F25	0761GX	240P2	0773	240Y1	0753		
240E16	0788	GS240F11	0761GX	240F26	0759G	240P3	0764	145094	0771		

If part number is not known, please provide any of the following: Frame/Generator number, machine number, voltage, brush holder part number, motor size and type, grade, dimensions, horse-power and kilowatts. Graphite is for higher speed machinery.

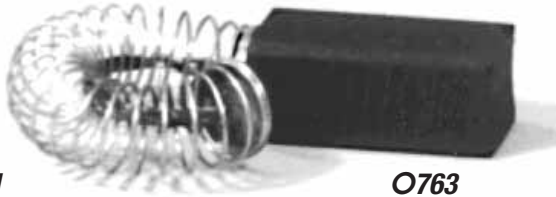


Figure 1

O763



Figure 2

O758



Figure 3

O743



Figure 4

O759C



Figure 5

O754



Figure 6

O744



Figure 7

O764



Figure 8

O753

O740

O741

O742

O781

Adams part no.	Material	Dimensions (L x W x Thick)	Door operator	Otis part no.
Figure 1				
O763	Carbon	5/8" x 5/16" x 1/4"		186142
O771	Carbon	9/16" x 1/4" x 1/4"	J2, J2A	145094
O771C	Carbon	13/16" x 1/2" x 1/2"	6970 oper., 1/3hp (GE)	186206
O771D	Carbon	13/16" x 3/8" x 1/4"	6970A oper., 1/2hp (GE)	186132, 186207

Adams part no.	Material	Dimensions (L x W x Thick)	Otis grade	Otis part no.
Figure 2				
O758	Metal graphite	1 7/8" x 1 1/4" x 3/4"	OE-122	240G3
O760	Metal graphite	1 1/2" x 1" x 1/2"	OE-122	240G1

Adams part no.	Material	Dimensions (L x W x Thick)	Otis grade	Otis part no.
Figure 3				
O743	Carbon	2" x 1 1/2" x 1/2"	OE-153	240W3
O752	Carbon	2" x 1 1/2" x 1/2"	OE-151	240W1
O756	Carbon	2" x 1 1/2" x 5/8"	OE-127	240B6
O757	Carbon	2" x 1 1/2" x 1/2"	OE-150	240R1
O776	Carbon	2" x 1 1/2" x 1/2"	OE-127	240B3
O777	Graphite	2" x 1 1/2" x 1/2"	OE-116D	240B4

Adams part no.	Material	Dimensions (L x W x Thick)	Otis grade	Otis part no.
Figure 4				
O759C	Carbon	2" x 1" x 3/8"	OE-127	240F22
O759G	Graphite	2" x 1" x 3/8"	OE-130	240F26
O759GX	Graphite	2" x 1" x 3/8"	OE-116D	240F3
O761C	Carbon	2" x 1 1/2" x 5/8"	OE-117	240F12
O761G	Graphite	2" x 1 1/2" x 5/8"	OE-116D	240F11
O761GX	Graphite	2" x 1 1/2" x 5/8"	OE-130	240F25
O762	Graphite	2" x 1 1/2" x 3/8"	OE-116D	240F20
O767	Graphite	2" x 1" x 3/8"	OE-118	240F5
O768	Carbon	2" x 1" x 3/8"	OE-117	240F4
O769	Graphite	2" x 1" x 5/8"	OE-130	240F27
O775	Graphite	1 1/8" x 1" x 1/4"	OE-116D	240C1
O782	Graphite	1 3/4" x 1 1/2" x 1/2"	OE-116D	240F19
O783	Graphite	2" x 1 1/2" x 7/8"	OE-116D	240F15
O785	Carbon	2" x 1 1/2" x 1/2"	OE-127	240F21
O786	Carbon	2" x 1 1/2" x 5/8"	OE-127	240F23

Adams part no.	Material	Dimensions (L x W x Thick)	Otis grade	Otis part no.
Figure 5				
O754	Carbon	2 3/4" x 1 1/2" x 5/8"	OE-117	240E4
O755	Graphite	2 3/4" x 1 1/2" x 5/8"	OE-116D	240E8
O788	Graphite	2 3/4" x 1 1/2" x 3/8"	OE-116D	240E16
O789	Graphite	2 3/4" x 1 3/4" x 3/8"	OE-116D	240E17
O790	Graphite	2 3/4" x 1 1/4" x 3/8"	OE-116D	240E14
O792	Graphite	2 3/4" x 2" x 3/8"	OE-116D	240E18
O794	Graphite	2 3/4" x 1 3/4" x 3/4"	OE-116D	240E22
O796	Graphite	2" x 7/8" x 1/4"	OE-116D	240E10

Adams part no.	Material	Dimensions (L x W x Thick)	Otis grade	Otis part no.
Figure 6				
O744	Carbon	2" x 1" x 3/8"	OE-154	240T5
O751	Carbon Straight	2" x 1 1/2" x 1/2"	OE-151	240R3
O765	Graphite Straight	2" x 1 1/2" x 1/2"	OE-152	240R5
O766	Carbon	1 3/4" x 1 1/2" x 3/8"	OE-140	240J3
O774	Graphite Bevel	1 3/4" x 1 1/2" x 3/8"	OE-116D	240J1

Adams part no.	Material	Dimensions (L x W x Thick)	Otis grade	Otis part no.
Figure 7				
O764	Graphite	1 3/4" x 1 1/2" x 3/8"	OE-130	240P3
O772	Graphite	1 3/4" x 1 1/2" x 3/8"	OE-116D	240P1
O773	Carbon/flat	1 3/4" x 1 1/2" x 3/8"	OE-127	240P2
O773C	Carbon/slant	1 3/4" x 1 1/2" x 3/8"	OE-127	240P4

Adams part no.	Material	Dimensions (L x W x Thick)	Otis grade	Otis part no.
Figure 8				
O753	Double carbon with connecting bridge; 1 1/8" x 1 1/2" x 1/4" (1/2" thick overall); grade OE-151			240Y1
O740	For 500W 6390C MG sets; 1 1/8" x 5/8" x 3/8" carbon			184306
O741	For "A" oper.; 1" x 5/8" x 1/4" carbon without shunt			184448
O742	For "AB" operator; 7/8" x 3/4" x 1/4"			186133
O781	3" x 1 1/4" x 1 1/16" graphite; grade OE-116D			240H4



107430
Otis
Carbon Contact Holder
for 2 1.4" O.D. contact 2 1/4"
L, stem 5/8-11" x 1 13/16"



12136
Otis
Carbon Brush Holder



140538
Otis
Carbon Brush Holder



6134H1
Otis
Carbon Brush Holder
.38" W x 1.00" L, for
7/8" brush stem



1176
Otis
Carbon Contact
.97" O.D. x 1.50" L, used
for switches & Magnets



166747
Otis
Carbon Contact
1.50" O.D. x 1.00" L



178T2
Otis
Box Brush Holder



288CD4
Otis
Carbon Brush Holder
Arm



6134A1
Otis
Carbon Brush Holder
(0705A)



6134J1
Otis
Carbon Brush Holder
.50" W x 1.56" L, for
7/8" brush stem



6839Y4
Otis
Carbon Brush
Holder
(0335)



306T2
Otis
Contact Base



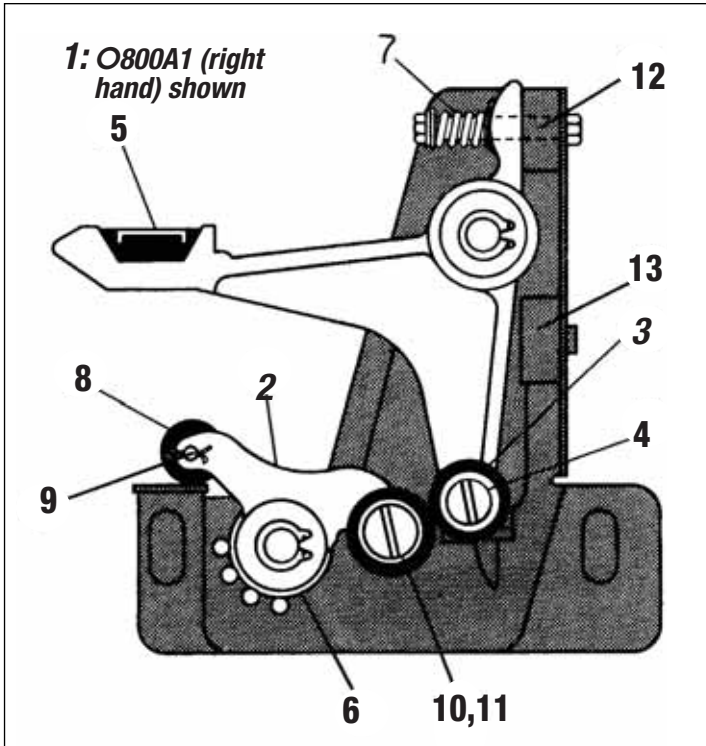
6365E1
Otis
Contact



6602A1
Otis
Contact Brush



6825B1
Otis
Contact Arm



SWITCH AND HOUSING FOR 6940 INTERLOCK

(See following pages for replacement switch and switch components)



O830K-SERIES SWITCH & HOUSING

Adams part no.	Description	Otis part no.
O830K1	Switch & housing, complete; right hand	6940AG1
O830K2	Switch & housing, complete; left hand	6940AG2

SWITCH AND HOUSING FOR OLD 6940A INTERLOCK

(See following pages for replacement switch and switch components)



O831K-SERIES SWITCH & HOUSINGS

Adams part no.	Description	Otis part no.
O831K1	Interlock assembly, RH; plastic cover	For old style 6940A interlock
O831K2	Interlock assembly, LH; plastic cover	
O831K3	Interlock assembly, RH; steel case	
O831K4	Interlock assembly, LH; steel case	

6940 DOOR LOCK			
Key	Adams part no.	Description	Otis part no.
1	O800A1	Right-hand hook & release ass'y.	6940C1
(1)	O800A2	Left-hand hook & release ass'y., (not shown) opposite of O-800A1	6940C2
2	O801, 802	Bell crank lever	307AE1, 2
3	O803P-series	Poly roller, 1/2" OD	456C1-C4
4	O804E1 thru E5	Eccentric pin	77A1-A5
5	O805	Base contact	306FM1
6	O806R1/L1	Torsion spring	A92AG1, 2
(6)	O809R1/L1	Torsion spring, not shown	A92AG1, 2
7	O807	Compression spring	90HB9
8	O808	Rubber roller w/bushing, axle pin	456BT1
9	O808P1	Axle pin	78C2
10	O804W1	Thick washer	127L5
11	O804W2	Thin washer	127L4
12	O800R1	Rubber bumper w/hole	320AY1
13	O800R2	Rubber bumper w/stem	320P4

OK800A1 & A2 DOOR INTERLOCK KITS

OK-800A1 (right hand)		OK-800A2 (left hand)	
Includes Adams part nos.	Replaces Otis part no.	Includes Adams part nos.	Replaces Otis part no.
O800A1 door lock	6940C1	O800A2 door lock	6940C2
O830K1 switch/housing	6940AG1	O830K2 switch/housing	6940AG2

ALSO AVAILABLE...



521V111-12
Otis
Door Lock



6047A2
Otis
Interlock Switch
Assembly



6543C
Otis
Interlock



Adams part no.	Description	Otis part no.
O801	Bell crank lever, RH; shown	307AE1
O802	Bell crank lever, LH; opposite of O-801	307AE2
O801B1	Roller bearing	209E1
O801B2	Outer face sleeve for bearing	—
O801C1	Retaining ring (circlip)	172DE9
O801W3	Washer, $\frac{41}{64}$ " I.D. x $1\frac{1}{2}$ " O.D. x $\frac{3}{64}$ " thick	127VB83
O804E1	Eccentric pin, $2\frac{19}{32}$ "L	77A4
O804E2	Eccentric pin, $2\frac{7}{32}$ "L	77A2
O804E3	Eccentric pin, $2\frac{11}{32}$ "L	77A3
O804E4	Eccentric pin, $2\frac{1}{2}$ "L	77A1
O804E5	Eccentric pin, $2\frac{5}{32}$ "L	77A5

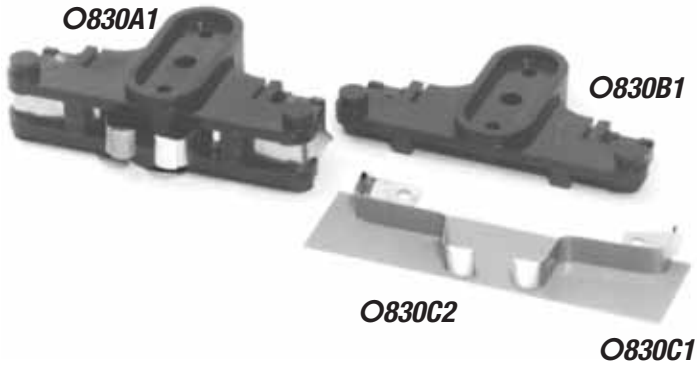


DOOR LOCK ROLLERS (RUBBER & POLY)		
Adams part no.	Description	Otis part no.
O803P1	Polyurethane roller with bushing, $1\frac{1}{2}$ "L	—
O803P2	Polyurethane roller with bushing, $1\frac{5}{32}$ "L	—
O803P3	Polyurethane roller with bushing, $1\frac{9}{32}$ "L	—
O803P4	Polyurethane roller with bushing, $1\frac{5}{8}$ "L	—

Injection-molded polyurethane rollers outperform rubber/fiber core models. Dovetail flanges keep injection-molded poly tire attached securely to the molded nylon core. Cost less than rubber.

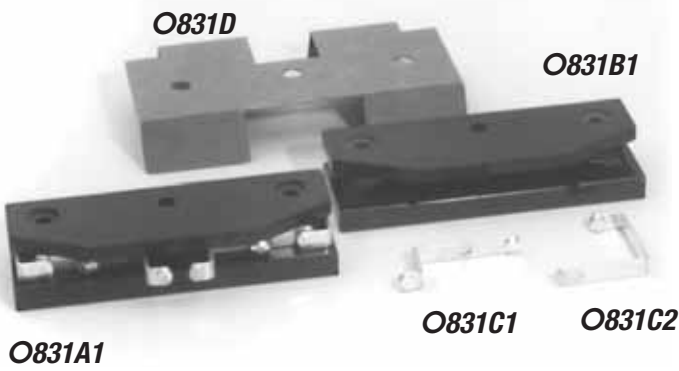


Adams part no.	Description	Otis part no.
O800R1	Rubber bumper with hole	320AY1
O800R2	Rubber bumper with stem	320P4
O805	Base contact w/copper contact face	306FM1
O806R1	Torsion spring, RH; $1\frac{25}{32}$ " I.D. x $\frac{7}{8}$ " high	92AG1
O806L1	Torsion spring, LH; $1\frac{25}{32}$ " I.D. x $\frac{7}{8}$ " high	92AG2
O807	Compression spring, $1\frac{1}{16}$ " O.D. x $1\frac{5}{8}$ "L	90HB9
O808	Rubber roller, 1" dia.; with bushing, axle pin	456BT1
O808P1	Replacement axle pin for O808 roller	78C2
O809R1	Torsion spring, RH; $1\frac{15}{16}$ " I.D. x $\frac{5}{8}$ " high	A92AG1
O809L1	Torsion spring, LH; $1\frac{15}{16}$ " I.D. x $\frac{5}{8}$ " high	A92AG2
O856	Door Bumper	320BE2



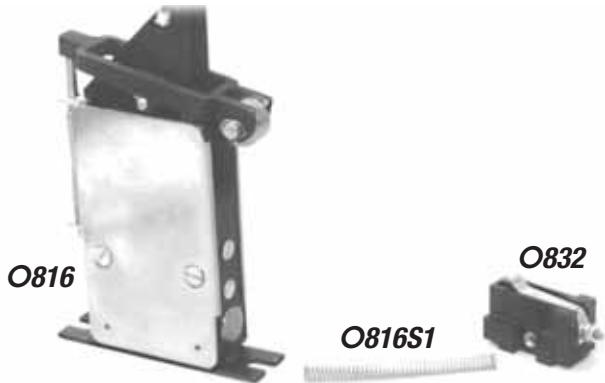
O830K COMPONENTS

Adams part no.	Description	Otis part no.
O830A1	Switch assembly, complete	For 6940AG interlock switch
O830B1	Switch base (2 required)	306JJ1
O830C1	Formed strip w/silver contact, RH	152BE2
O830C2	Formed strip w/silver contact, LH	152BE4



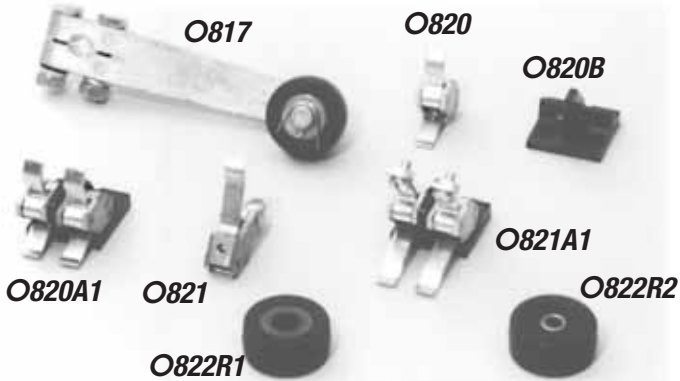
O831SERIES SWITCH & COMPONENTS

Adams part no.	Description	Otis part no.
O831A1	Switch assembly, complete	For 6940B interlock switch
O831B1	Phenolic contact base	306FX1
O831C1	Movable contact	152AV2
O831C2	Stationary contact	152AW2
O831D	Insulator	A275AR1



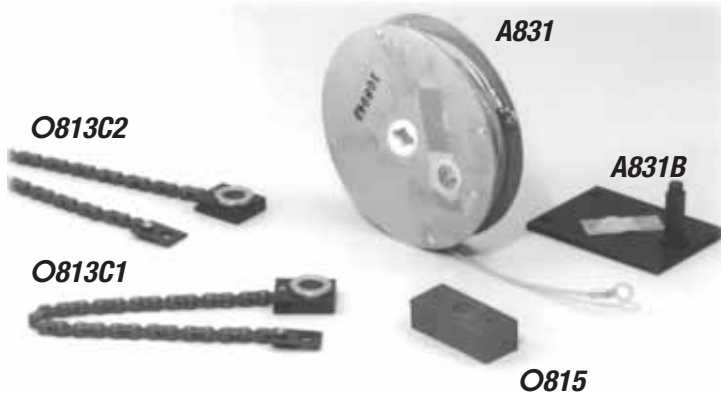
N2 INTERLOCK COMPONENTS

Adams part no.	Description	Otis part no.
O816	Interlock assembly, complete	6047A2
O816S1	Compression spring, $\frac{9}{32}$ " I.D. x $4\frac{3}{8}$ " L	90BB14
O832	Interlock switch base for O816 interlock assembly (2 required), w/formed leaf spring contact; for N and NC style interlocks. (Use with Adams O803series rollers and O804 series pins, shown on page 289)	A306EB2

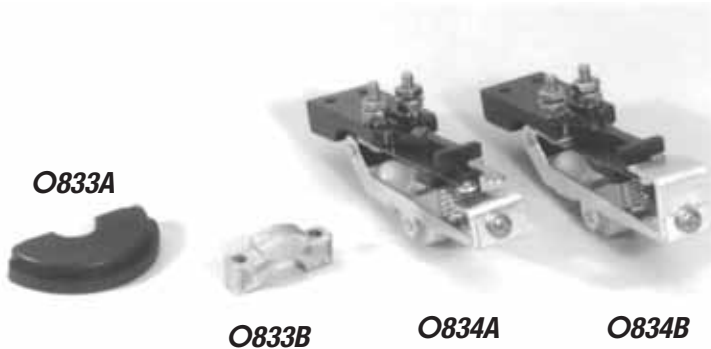


"L" AND "LA" DOOR LOCK COMPONENTS

Adams part no.	Description	Otis part no.
O817	Pivot arm assembly	147976
O820	Contact holder, "L" door lock	132037
O820B	Base for door lock contacts	151076
O820A1	Stationary contact assembly, "L" door lock	158492
O821A1	Stationary contact assembly, "LA" door lock	156144
O821	Contact holder, "LA" door lock	156144
O822R1	Rubber roller, 1.22" O.D. x 0.593" wide; 0.337" bore	456AA1
O822R2	Rubber roller, same as above with 335D bushing	456AA2



CHAIN, CUP, SPIRATOR		
Adams part no.	Description	Otis part no.
O813C1	Chain with hitch & link for 6940D spring door closer for double roller arm, 11¼"L	A332AS2
O813C2	Chain with hitch & link for 6940D spring door closer for single roller arm, 14¼"L	A332AS3
O815	Formed polyurethane cup for M.L. A6940 AD1 to AD3 door closer weight	A325P1
A831	Heavyduty reeltype door closer (spirator); mounts on 5/16"sq. stud. (Also replaces Armor, Dover, G.A.L., Montgomery, Schindler, U.S., and Westinghouse Elevator spirators.)	152AW2
A831B	Mounting bracket for A831 spirator	—



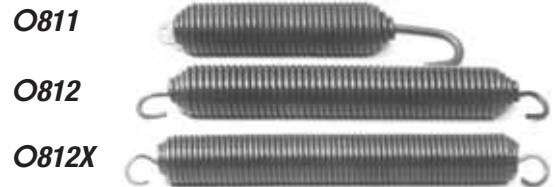
CAM/CLAMP, MECHANICAL SWITCH		
Adams part no.	Description	Otis part no.
O833A	Thermoplastic cam with 1/8" radius on upper surface, 5/16" radius on lower surface	—
O833B	Diecast aluminum clamp for O833A cam	—
O833	Cam/clamp assembly, complete; includes one (1) O833A and one (1) O833B, above	327DJ2C
O834A	Mechanical switch (make) for Type 6970 door operator	6554B1
O834B	Mechanical switch (break) for Type 6970 door operator	6554B2

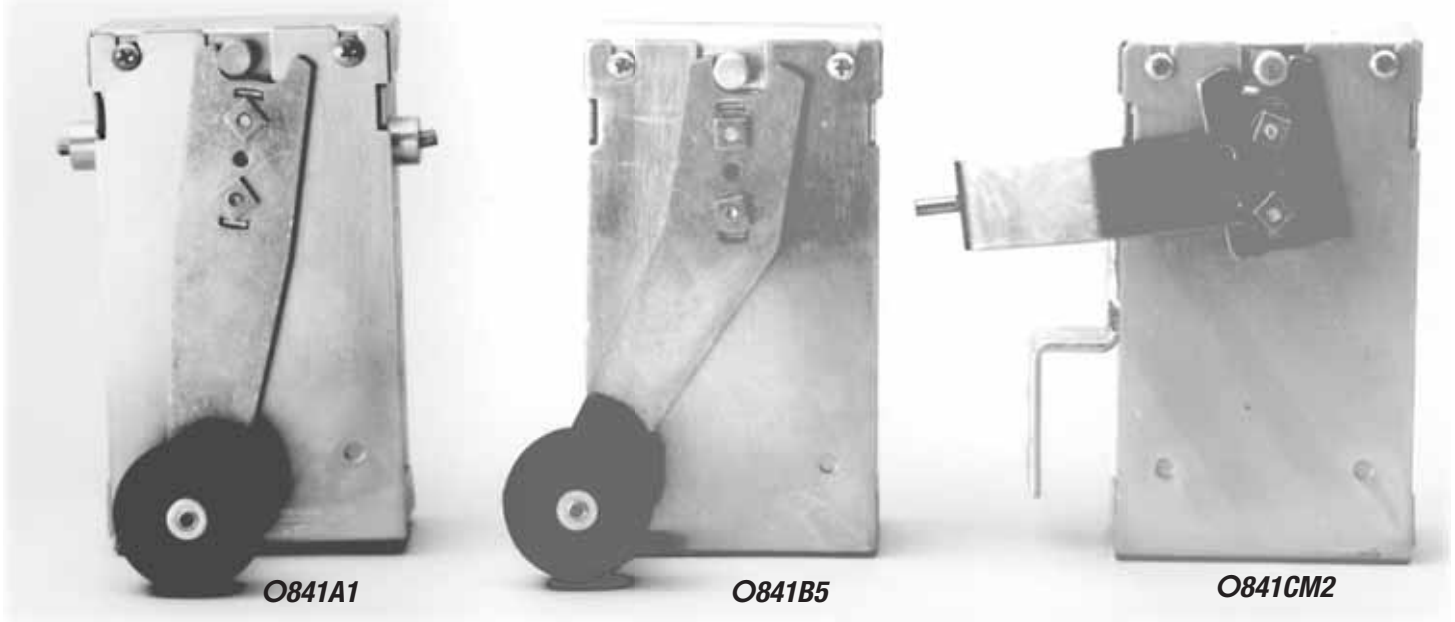


DOOR GIBS, BRIDGE, FINGER		
Adams part no.	Description	Otis part no.
OB930*	Nylon door gib, 27/8"L x 1/2"H x 15/32"W	—
OB932*	Nylatron door gib, 31/2"L x 3/4"H x 1/2"W	—
O667	Door lock bridge, 13/16" x 13/16"	126646
O668	Door lock finger, 5/2"L	126650

* Otis Britain door gibs

HEAVYDUTY EXTENSION SPRINGS				
Adams part no.	Description	Wire dia.	Active turns	Otis part no.
O811	15/8" dia. x 9"L, w/hook and 430AE1 link	1/8"	31	91T8
O812	11/2" dia. x 10"L, plus hook at each end; black oxide finish	3/16"	51	91AE1
O812X	13/8" dia. x 10"L, plus hook at each end; black oxide finish	0.148"	60	91W2





MECHANICAL SWITCHES

Adams manufactures and stocks replacements for Otis Type 6098 and A6098 mechanical switches listed below.

Rugged boxes match existing Otis installations, requiring no new drilling or rigging to fit. Boxes in each series are similar, differing only in the configuration of the switches inside.

Photographs on these two pages show representative boxes from each switch series. Box dimensions within each series are identical. The legend below left will tell you what our switch configuration abbreviations mean.

See page 294 for a complete listing of replacement switch arms.

SWITCH CONFIG. ABBREVIATION LEGEND

SPB	Single pole/break (1NC)
SPM	Single pole/make (1NO)
DPB	Double pole/break (2NC)
DPM	Double pole/make (2NO)
DPST	Double pole/single throw
SPDT	Single pole/double throw

If you are going to replace an arm make sure you note the direction of the swing and the placement of the holes on the arm before you remove it. This will make it easier to order the correct replacement.

LIMIT SWITCHES

Adams part no.	Switch config.	Replace. arm	Otis part no.	Arm
O841B1	SPM	O840F4	A6098B1	shown
O841B3	SPB	O840F2	A6098B3	shown
O841B5	DPM	O840F4	A6098B5	shown
O841B7	DPB	O840F2	A6098B7	shown
O841B9	SPM	O840F8	A6098B9	opposite
O841B11	SPB	O840F6	A6098B11	opposite
O841B13	DPM	O840F8	A6098B13	opposite
O841B15	DPB	O840F6	A6098B15	opposite
O841B17	SPB†	O840F2	A6098B17	shown
O841B17A	SPDT	O840F2	—	—
O841B18	SPST†	O840F6	A6098B18	opposite
O841B18A	SPDT††	O840F6	—	shown

†Includes 1/NO auxiliary contact.

††Includes 1/NO auxiliary contact that MAKES during switchover of main contacts.

FLOOR STOP SWITCHES

Adams part no.	Switch config.	Replace. arm	Otis part no.
O841A1	SPDT*	O840E2	A6098A1
O841A3	DPST**	O840E2	A6098A3
O841A4	DPST***	O840E2	A6098A4

*Includes auxiliary contacts.

**Contacts MAKE when roller moves left; maintained contact.

***Contacts MAKE when roller moves right; maintained contact.

MECHANICAL SWITCHES

Adams part no.	Switch config.	Replace. arm	Otis part no.
O841CM1	SPM	Avail. only on special order	A6098CM1
O841CM2	SPM		A6098CM2

NOTE: O841CM1 arm configuration is opposite of that shown for O841CM2, photo above.

ALSO AVAILABLE...



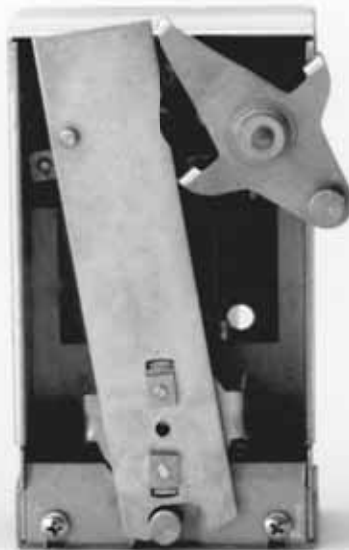
AAA6098NM2
Otis
Switch



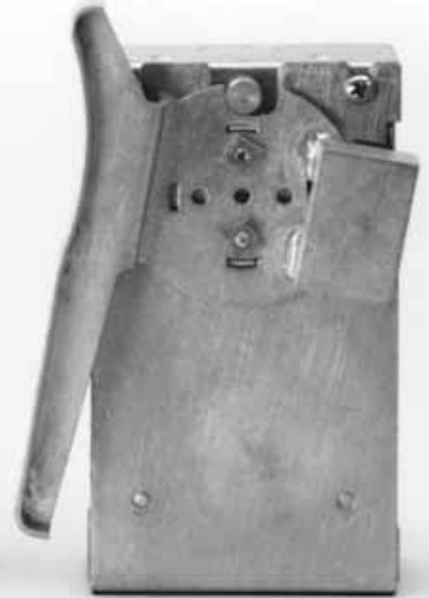
A6098B22
Otis
Limit Switch



O841BC1



O841D5



O841E12

MECHANICAL SWITCHES			
Adams part no.	Switch config.	Replace. arm	Otis part no.
O841BC1	SPB	O840BA3	6098BC1
O841BC2	SPM	O840BA3	6098BC2
O841BC3	DPST	O840BA4	6098BC3
O841BC4	DPST	O840BA4	6098BC4
O841BC5	DPST	O840BA3	6098BC5
O841BC6	DPST	O840BA3	6098BC6

TRIPPER SWITCHES W/PLEXIGLASS COVER			
Adams part no.	Switch config.	Replace. arm	Otis part no.
O841D1	SPB	O840H1	6098D1
O841D3	SPB	O840H2	6098D3
O841D5	DPB	O840H2	6098D5
O841D6	DPB	O840H1	6098D6

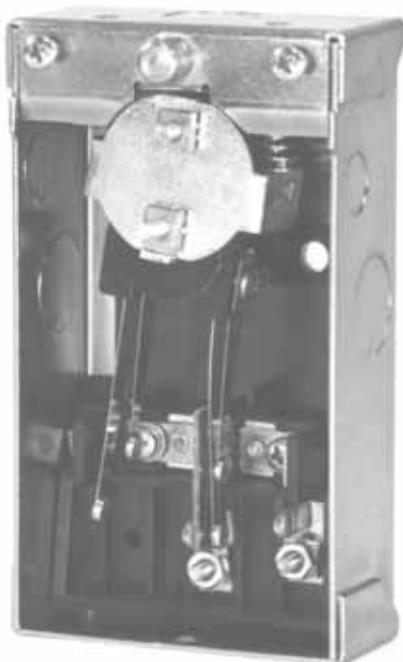
CAR GATE SWITCHES			
Adams part no.	Switch config.	Replace. arm	Otis part no.
O841E1	SPM	<i>Replacement arms for O841Eseries switches are available on special order only</i>	6098E1
O841E2	SPM		6098E2
O841E5	DPM		6098E5
O841E6	DPM		6098E6
O841E9	SPM		6098E9*
O841E10	SPM		6098E10*
O841E11	DPM		6098E11*
O841E12	DPM		6098E12*

*Includes switch arm & weight.

NOTES:

Switch arms for O841E1 thru E6 are mounted horizontally; E9 thru E12 are vertical, as pictured.

Oddnumbered switches are right handed; evennumbered switches are left handed.



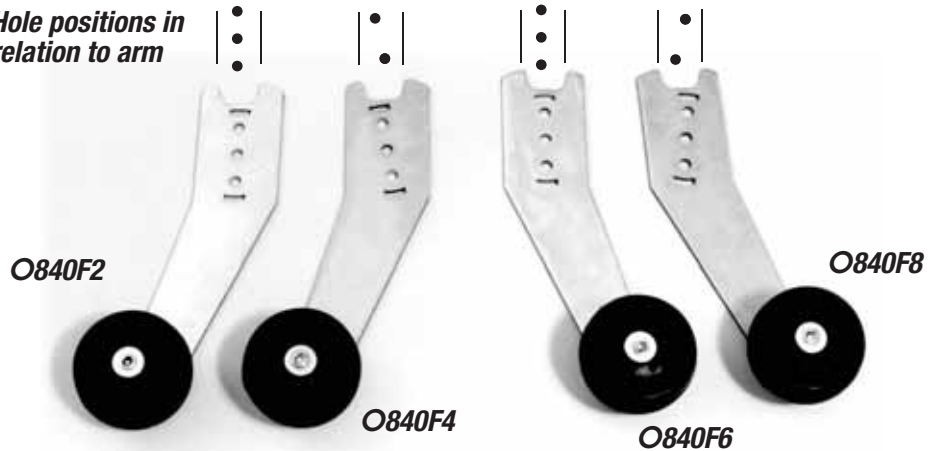
O841B5 with plate and arm removed

REPLACEMENT SWITCH ARMS AVAILABLE

Used with O841Bseries limit switches, page 292.

LIMIT SWITCH ARMS		
Adams part no.	Description	Otis part no.
O840F2	Arm w/pin & roller, LH	287F2
O840F2A	SPDT, RH	287F2A
O840F4	Arm w/pin & roller	287F4
O840F6	Arm w/pin & roller, RH	287F6
O840F6A	SPDT, LH	287F6A
O840F8	Arm w/pin & roller	287F8

Hole positions in relation to arm

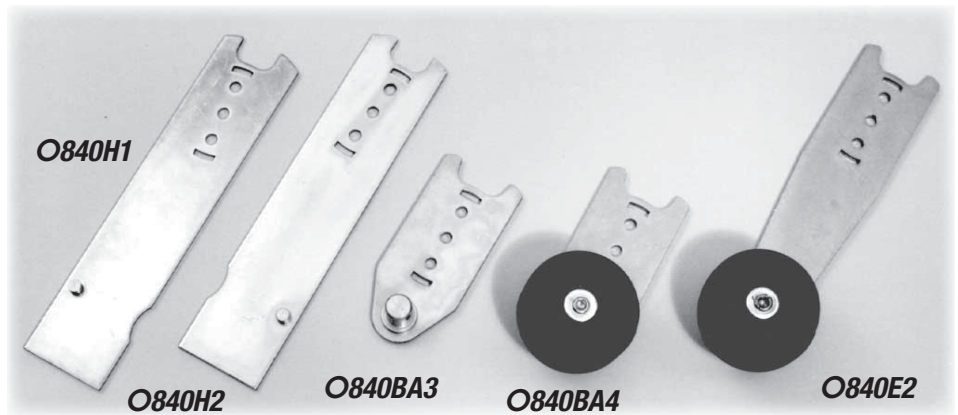


Used with O841Dseries tripper switches, page 293.

TRIPPER SWITCH ARMS		
Adams part no.	Description	Otis part no.
O840H1	Arm w/pin only	287H1
O840H2	Arm w/pin only	287H2

Used with O841BCseries mechanical switches, page 293.

MECHANICAL SWITCH ARMS		
Adams part no.	Description	Otis part no.
O840BA3	Arm w/pin only	287BA3
O840BA4	Arm w/pin & roller	287BA4



Used with O841Aseries floor stop switches, page 292.

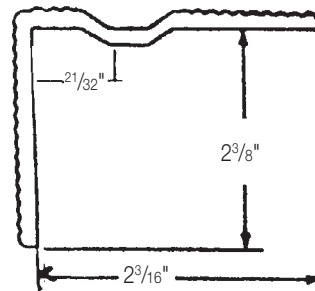
FLOOR STOP SWITCH ARMS		
Adams part no.	Description	Otis part no.
O840E2	Arm w/pin & roller	A287E2

ALSO AVAILABLE...

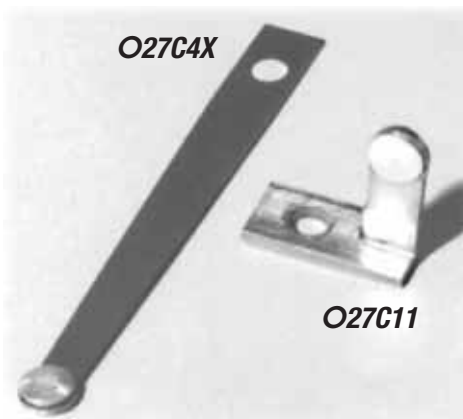
DOOR EDGE SIGHT GUARD

Adams part no.	Description	Otis part no.
O897F1	Car door faceplate, female; 15"L	—
O897F2*	Car door faceplate, female; 69"L	—

*For O897F2 only, two females fit together.
NOTE: These edges are for door operator 6970A. They are unmilled and undrilled.



REPLACEMENT CONTACTS		
Adams part no.	Description	Otis part no.
O27C4X	Leaf spring contact with double tip	150H2
O27C11	Stationary contact with silver tip	150H4



Here is a comprehensive listing of replacements for Otis door edge sight guards (also known as door shields and door faceplates), for hoistway and car doors.

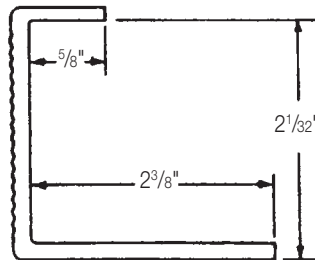
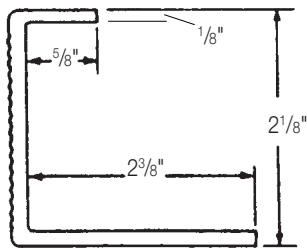
Tough, impactresistant Butyrate plastic is extruded to form Adams replacement edges. We ship our edges without predrilled mounting holes, permitting installers to customfit each edge right on the job.

Wide and narrowribbed models are identifiable by their part num-

bers: O890, O891, & O892 series have wide ribs; O893 series has narrow ribs with $\frac{3}{32}$ " between crowns.

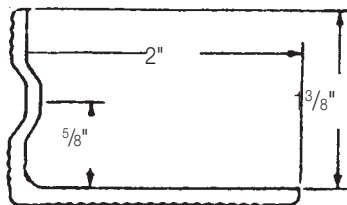
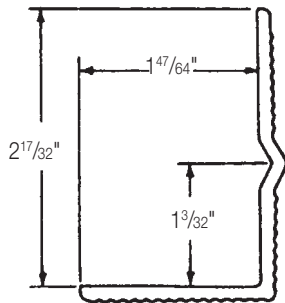
Other models include O896series for Otis Type 6970 door operator installations; O897series for Otis Type 6970A; O895 for Otis Type AB.

Refer to the drawings and tables for accurate dimensions and Otis part numbers. Views are all cross sections and *not to scale*.



Adams part no.	Description	Otis part no.
O890R	Hoistway door shield, RH; 84"L, face milled for floor no.	278BG2
O890L	Same as O890R, LH (shown)	278BG3
O890R1	Same as above, 83 1/2"L; RH	278BG10
O890L1	Same as O890R1, LH (shown)	278BG11

Adams part no.	Description	Otis part no.
O893R	Hoistway door shield, RH; 84"L, narrow rib, milled	278BG2
O893L	Same as above, LH (shown)	278BG3

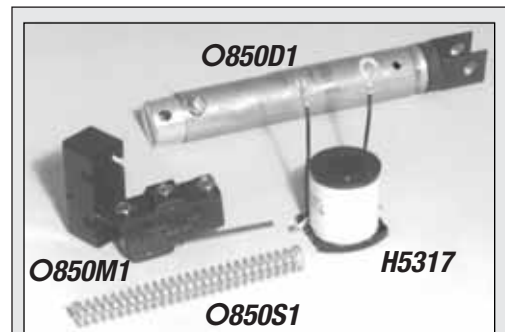


Adams part no.	Description	Otis part no.
O892M1	Car door faceplate, male; 15 1/4"L	147FB1
O892M2	Car door faceplate, male; 68 3/4"L	147EY1

Adams part no.	Description	Otis part no.
O896F1	Car door faceplate, female; 14 1/4"L	—
O896F2	Car door faceplate, female; 69 3/4"L	—

NOTE: These edges are for door operator 6970. They are unmilled and undrilled.

SAFETY EDGE REPLACEMENT PARTS



O850SERIES COMPONENTS

Adams part no.	Description	Otis part
O850M1	Microswitch	177AR1
O850D1	Dash pot (door check)	6168F1
O850S1	Spring, 4 1/4"L x 1/2"	90HB11
H5317	Coil	222CY1

O855 SERIES COMPONENTS

Adams part no.	Description	Otis part no.
O461A2	Single BREAK switch (see photo on page 270)	7035A25
O855L3	Retracting assembly, LH	—
O855R3	Retracting assembly, RH	—



RIGHTHAND VS. LEFTHAND

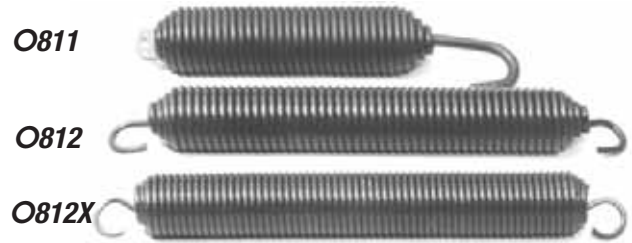
Standing inside the car and facing the hall,

LH door opens to the LEFT

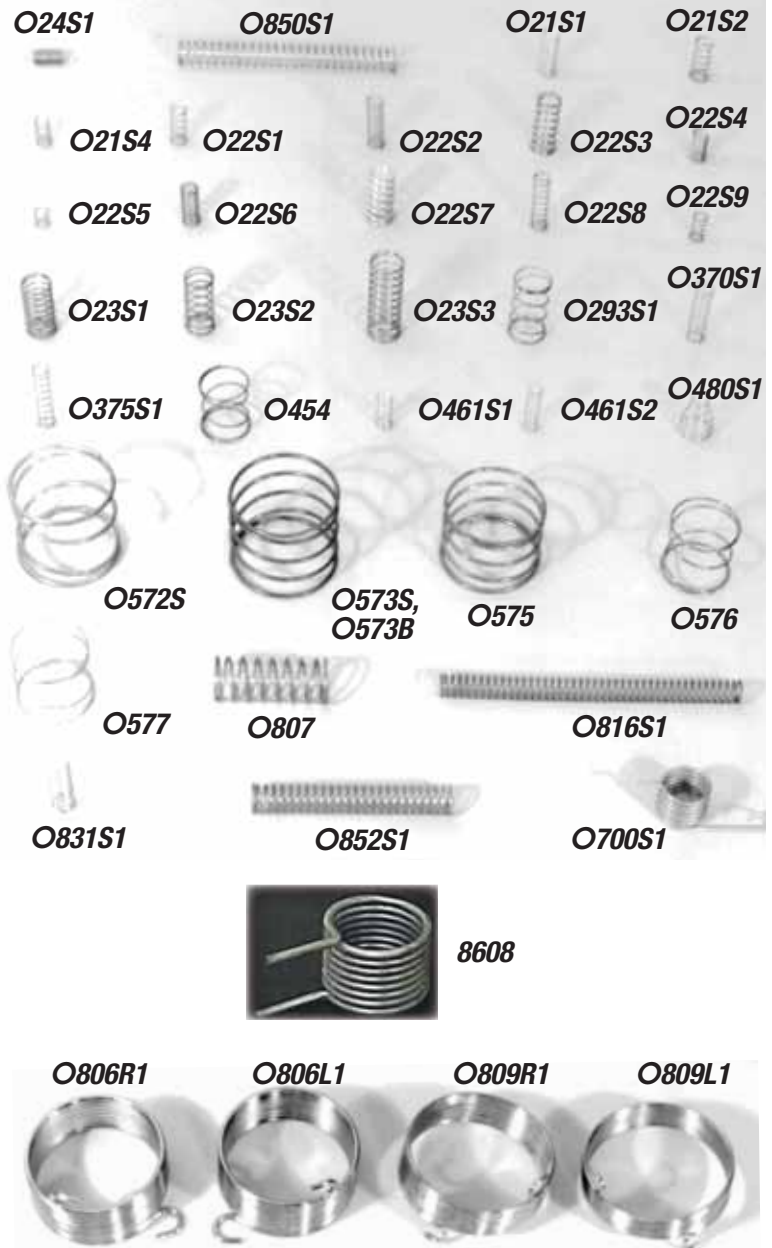
RH door opens to the RIGHT

Replacement extension, compression, & torsion springs

HEAVYDUTY EXTENSION SPRINGS					
Adams part no.	Description	Wire dia.	Active turns	Otis part no.	
O811	1 ⁵ / ₈ " dia. x 9"L, with hook and link	1 ¹ / ₈ "	31	91T8	
O812	1 ¹ / ₂ " dia. x 10"L, with hook at each end; black oxide finish	3 ¹ / ₁₆ "	51	91AE1	
O812X	1 ³ / ₈ " dia. x 10"L, with hook at each end; black oxide finish	0.148	60	91W2	



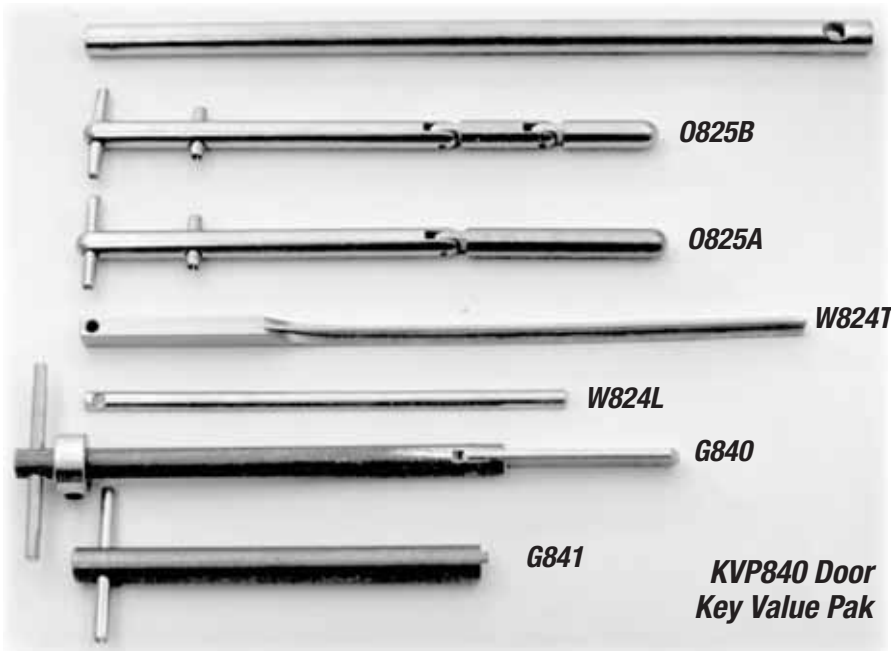
Adams part no.	O.D.	Length	Wire dia.	Active turns	Otis part no.
EXTENSION SPRINGS					
O24S1	1 ⁷ / ₆₄ "	2 ¹ / ₃₂ " coiled; 1 ⁵ / ₃₂ " overall w/2 ¹ / ₄ " loops	0.018"	30	91B1
O850S1	3 ¹ / ₆₄ "	4 ¹ / ₄ "	0.055"	32	90HB11
COMPRESSION SPRINGS					
O21S1	1 ¹ / ₃₂ "	1"	0.022"	10	90LA4
O21S2	3 ³ / ₈ "	2 ⁷ / ₃₂ "	0.025"	7	90TA6
O21S4	1 ⁹ / ₆₄ "	9 ¹ / ₁₆ "	0.020"	7	90KA3
O22S1	5 ⁵ / ₁₆ "	5 ⁷ / ₆₄ "	0.025"	6	90TA3
O22S2	2 ¹ / ₆₄ "	1 ¹ / ₁₆ "	0.029"	9	90VA16
O22S3	1 ⁵ / ₃₂ "	1 ¹ / ₈ "	0.047"	6 1/2	90EB5
O22S4	5 ⁵ / ₁₆ "	3 ⁹ / ₆₄ "	0.041"	7	90BB19
O22S5	1 ¹ / ₄ "	5 ⁵ / ₁₆ "	0.021"	3	90LA11
O22S6	2 ¹ / ₆₄ "	2 ⁵ / ₃₂ "	0.035"	7	90YA25
O22S7	1 ¹ / ₂ "	1"	0.065"	7	90KB14
O22S8	5 ⁵ / ₁₆ "	1 ³ / ₁₆ "	0.029"	9	90VA15
O22S9	1 ⁷ / ₆₄ "	9 ¹ / ₁₆ "	0.024"	5	90PA4
O23S1	.523" ±.009"	1 ¹ / ₈ "	0.042"	8	90DB4
O23S2	.510" ±.010"	1 ¹ / ₈ "	0.035"	6	90YA13
O23S3	.580" ±.005"	1 ¹ / ₁₆ "	0.041"	9	90BB8
O293S1	2 ¹ / ₃₂ "	1 ¹ / ₄ "	0.033"	4	90XA14
O370S1	1 ⁹ / ₆₄ "	1 ³ / ₁₆ "	0.013"	11	90GA2
O375S1	9 ⁹ / ₃₂ "	1 ⁵ / ₁₆ "	0.022"	7	90LA5
O454	1 ³ / ₁₆ "	1"	0.035"	2	90YA26
O461S1	9 ⁹ / ₃₂ "	5 ⁵ / ₈ "	0.020"	6	90KA
O461S2	9 ⁹ / ₃₂ "	5 ⁵ / ₈ "	0.020"	6	90KA5
O480S1	1 ¹ / ₂ " to 1 ⁵ / ₆₄ "	3 ³ / ₄ "	0.020"	6	90WE14
O572S	1 ⁵ / ₈ "	1 ¹ / ₂ "	0.080"	2	90SB7
O573B*	1.702" ±.015"	1 ³ / ₈ "	0.071"	3	90MB4
O573S	1.702" ±.015"	1 ³ / ₈ "	0.071"	3	90MB4
O575	1.550" ±.015"	1 ¹ / ₈ "	0.067"	2 1/2	90LB1
O576	1.080" ±.015"	1"	0.041"	2	90BB3
O577	1.136" ±.015"	1"	0.037"	1 1/2	90AB8
O807	1 ¹ / ₁₆ "	1 ⁵ / ₈ "	0.055"	7	90HB9
O816S1	2 ³ / ₆₄ "	4 ³ / ₈ "	0.041"	42	90BB14
O831S1	1 ¹ / ₃₂ "	1 ¹ / ₁₆ "	0.029"	10	90VA8
O852S1	7 ¹ / ₁₆ "	2 ³ / ₄ "	0.047"	26	90EB16
TORSION SPRINGS					
O700S1	2 ³ / ₃₂ "	5 ⁵ / ₈ "	0.078"	6 1/4	92A4
O806R1	1 ²⁵ / ₃₂ " x 1 ¹ / ₁₆ " wide, RH		0.0915"	9 1/4	92AG1
O806L1	Same as above, LH		0.0915"	9 1/4	92AG3
O809R1	1 ¹⁵ / ₁₆ " x 5 ⁵ / ₈ " wide, RH		0.062"	8 3/4	A92AG1
O809L1	Same as above, LH		0.062"	8 3/4	A92AG2



* Same as O573S, except made from brass.

Hoistway Emergency Door Keys

New key Value Pak unlocks the door(s) to efficiency



0825C

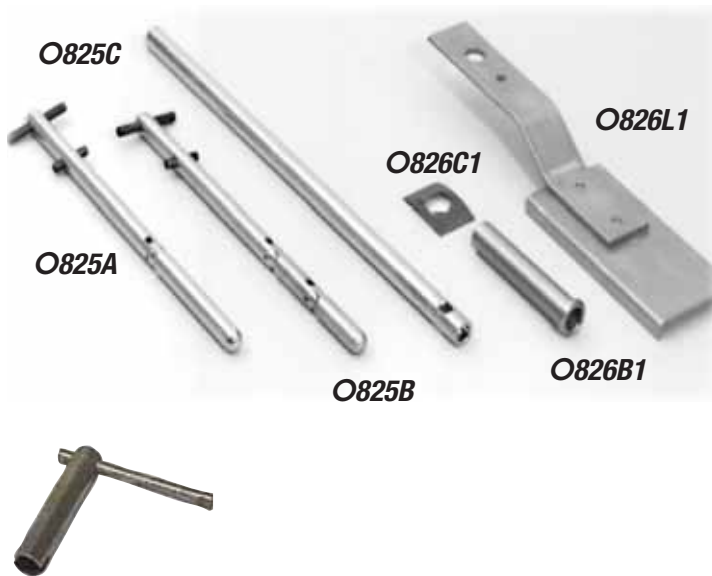
Door Key Value Pak

Put every door key you'll ever need into your toolbox...and save compared to the cost of buying them individually.

This sevenpiece Value Pak includes keys for Dover, GAL, Otis, and Westinghouse. Helps you streamline every service route by equipping each mechanic for the unexpected.

KVP840 Key Value Pak opens doors to increased productivity.

KVP840 Door Key Value Pak



**199015
Otis
Car Door Key**

HOISTWAY EMERGENCY DOOR KEYS

Adams part no.	Description	Otis part no.
0825A	Emergency door key, twosection	194AD3
0825B	Emergency door key, threesection, 7.593" L	194AD7
0825C	Emergency door key, lunar; 10 1/2"L	194AD2
199015	Car Door Key	—

HOISTWAY DOOR EMERGENCY KEY DEVICE

Adams part no.	Description	Otis part no.
0826B1	Stainless steel escutcheon, 2 3/4"L x 1 1/2" dia.*, Lip 5/8" dia.	321CV1
0826C1	Push nuts, 10/pkg.; (1 incl. w/0826B1)	72CE9
0826L1	Lever	—
0826K1	Emergency kit, complete; one of each, above	288LS1

*Includes one (1) push nut as shown; replacements available (0826C1), 10/pkg.

Quality forged into every contact

At Adams, we machine our own copper contacts from copper forgings, a process that improves conductivity and minimizes arc and burnout.

Forged under tremendous pressures, the maximum amount of metal possible is pressed into the space available. This produces highdensity contacts of exceptional strength.

Our contacts are machined to fine tolerances for a true flat contact plane.

The crossreference table at right lists each Adams replacement contact and the related accessory components. Please refer to this table for ordering.

COPPER CONTACTS AND RELATED COMPONENTS								
Adams part no.*	Otis part no.*	Carbon	Insulator	Spring	Washer	Nut	Carbon holder	Distance piece
O1	1189	CX31C9	L7	O576	O554	O557		
O2	113903	CX31C15						
O3	1191	CX31C15	L7	O576	O554			
O4	114228	CX31C15			O554		O108 O108	
O5	1558	CX31C21						
O7	1561	CX31C22	L3, L10					
O8	1387	CX29C4						
O9	1383	CX29C4						
O11	1559	CX31C22	L3, L10					
O12	1555	CX31C20	L4, L10	O573S				
O15	1374	CX29C3						
O16	13234	CX31C21	L5	O573S				
O17	106569	CX31C19	L17, L18	O576	O554	O557	O102	O192
O18	13417	CX31C20	L5	O573S				
O19	106578, 106571	CX31C1	L21		O551			
O32	1528					O557		
O33								
O35	1493					O557		
O39	107042					O551		
O42	112000	CX31C2			O550	O559		
O45	1539	CX31C8	L18	O576			O119	

* Copper contact part no. only

Adams part no.	Contact head		Overall stem length	Stem, smooth		Stem, threaded	
	Dia.	Thick		Dia.	Length	Thread	Length
O1	7/8"	1/4"	2 ³ / ₈ "	7/16"	1 ³ / ₈ "	5/16-18	1"
O2	1 1/8"	1/4"	1 ⁵ / ₁₆ "	—	1/8"	3/8-16	1 ³ / ₁₆ "
O3	1 1/8"	1/4"	2 ⁷ / ₁₆ "	7/16"	1 ⁵ / ₁₆ "	5/16-18	1 1/8"
O4	1 1/8"	1/4"	2 ³ / ₁₆ "	7/16"	1"	5/16-18	1 ³ / ₁₆ "
O5	2 1/2"	3/8"	1 ¹⁵ / ₁₆ "	—	5/16"	1/2-13	1 ⁵ / ₈ "

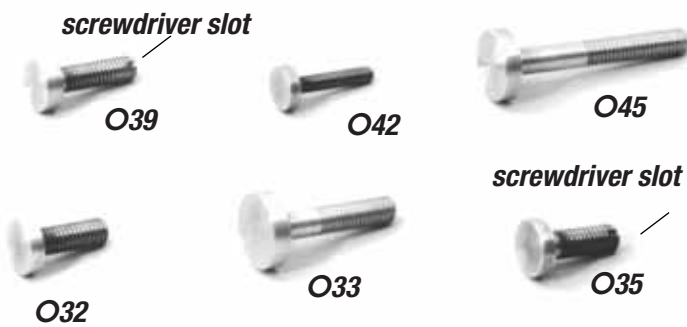


Adams part no.	Contact head		Overall stem length	Stem, smooth		Stem, threaded	
	Dia.	Thick		Dia.	Length	Thread	Length
O7	2 1/2"	3/8"	2 ¹³ / ₁₆ "	5/8"	1 ¹¹ / ₁₆ "	1/2-13	1 1/4"
O8	2" x 1 1/2"	3/8"	2 ⁹ / ₁₆ "	1/2" sq.	3/8"	1/2-13	2 ³ / ₁₆ "
O9	2" x 1 1/2"	3/8"	1 ¹¹ / ₁₆ "	1/2" sq.	3/8"	1/2-13	1 ⁵ / ₁₆ "
O11	2 1/2"	3/8"	3 1/2"	5/8"	2"	1/2-13	1 1/2"
O12	2"	3/8"	3 ⁵ / ₁₆ "	5/8"	1 ⁷ / ₈ "	1/2-13	1 ⁷ / ₁₆ "





Adams part no.	Contact head		Overall stem length	Stem, smooth		Stem, threaded	
	Dia.	Thick		Dia.	Length	Thread	Length
O15	1½" sq.	⅜"	2¼"	½" sq.	7/16"	½13	1⅝"
O16	2¼"	⅜"	27/8"	½"	1¾"	⅜16	1½"
O17	1¾"	⅜"	29/16"	7/16"	15/16"	5/1618	1¼"
O18	2"	⅜"	27/8"	½"	1¾"	⅜16	1⅛"
O19	⅝"	⅜16"	1½"	3/16"	¾"	½24	¾"



Adams part no.	Contact head		Overall stem length	Stem, smooth		Stem, threaded	
	Dia.	Thick		Dia.	Length	Thread	Length
O32	¾"	3/16"	1 1/16"	5/16"	1/16"	⅜16	1"
O33	1"	¼"	1¾"	⅜"	1 1/16"	⅜16	1 1/16"
O35	¾"	3/16"	1 1/16"	—	3/16"	⅜16	7/8"
O39	¾"	¼"	1¼"	—	1/8"	⅜16	1 1/8"
O42	5/8"	3/16"	1¼"	¼"	1/8"	¼20	1 1/8"
O45	1"	¼"	2 5/8"	⅜"	1½"	⅜16	1 1/8"

*Screwdriver slot in end of threaded stem.



Adams part no.	Description	Otis part no.
O68	Copper finger for starter	137709
O69	Copper contact for starter; 1 1/8" wide x 1 1/16"L with 3/8" hole	137727
O78	Copper angle, 1 1/8" x 7/8" x 3/4" wide; 1/4" thick	134514

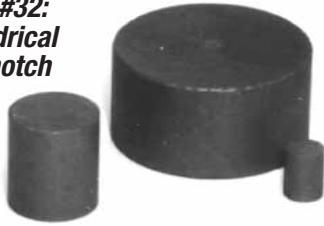
You can buy the frequently used copper/carbon combo of **O16** (above) and **CX31C21** (on next page) in convenient paks of 50 each.

OVP2801. 50 ea. O16 & CX31C21.



Carbon Contacts

Style #32: Cylindrical w/o notch



Style #29: Trapezoidal w/ notch & chamfered bottom edges



Style #36: Trapezoidal w/notch & chamfered bottom edges



Style #31: Cylindrical w/notch



Style #33: Cylindrical w/45° chamfered edges



Style #35: Cylindrical w/45° chamfered edges



CARBON STYLE #32	
Adams part no.	Diameter x Length
CX32C1	1/2" x 5/8"
CX32C2	1/2" x 7/8"
CX32C3	1/2" x 3/4"
CX32C4	3/4" x 3/4"
CX32C5	3/4" x 7/8"
CX32C6	3/4" x 1"
CX32C7	3/4" x 1 1/2"
CX32C8	7/8" x 3/4"
CX32C9	7/8" x 7/8"
CX32C11	7/8" x 1 1/2"
CX32C12	1" x 5/8"
CX32C13	1" x 3/4"
CX32C15	1" x 1"
CX32C16	1 1/8" x 1 1/4"
CX32C17	1 1/4" x 1"
CX32C18	1 1/4" x 1 1/2"
CX32C19	1 1/4" x 1 5/8"
CX32C20	1 1/4" x 2"
CX32C21	1 1/2" x 3/4"
CX32C22	1 1/2" x 1"
CX32C23	1 1/2" x 1 1/4"
CX32C24	1 1/2" x 1 5/8"
CX32C25	1 1/2" x 2"
CX32C26	2" x 1"
CX32C27	2" x 1 1/16"
CX32C28	2" x 1 1/4"
CX32C29	2" x 1 1/2"
CX32C30	2" x 1 5/8"
CX32C32	2 1/2" x 1 1/4"

CARBON STYLE #31	
Adams part no.	Diameter x Length
CX31C1	1/2" x 1/2"
CX31C2	1/2" x 3/4"
CX31C3	1/2" x 1"
CX31C4	5/8" x 1/2"
CX31C5	5/8" x 5/8"
CX31C6	5/8" x 3/4"
CX31C7	5/8" x 1"
CX31C8	3/4" x 3/4"
CX31C9	3/4" x 7/8"
CX31C10	3/4" x 1"
CX31C11	3/4" x 1 1/2"
CX31C12	7/8" x 3/4"
CX31C13	7/8" x 7/8"
CX31C15	1" x 3/4"
CX31C16	1" x 7/8"
CX31C17	1" x 1"
CX31C18	1" x 1 3/16"
CX31C19	1 1/2" x 3/4"
CX31C20	1 3/4" x 1 3/8"
CX31C21	2" x 1 1/16"
CX31C22	2 1/4" x 1 3/8"

CARBON STYLE #29 & #36				
Adams part no.	Dimensions			Edge shape
	Top	Bottom	Thick	
CX29C1	15/16" x 1 3/16"	1 3/16" x 1 3/16"	3/4"	Square on top, chamfered on bottom
CX29C2	1" x 2"	1 7/16" x 2"	1"	
CX29C3	1 1/2" x 1 1/2"	2" x 1 1/2"	1"	
CX29C4	1 1/2" x 2"	2" x 2"	1"	
CX29C5	2" x 2"	2 1/2" x 2"	1"	
CX36C2	1" x 1"	1 1/4" x 1"	7/8"	
CX36C5	2" x 1 1/2"	2 1/2" x 1 1/2"	1"	

CARBON STYLE #33	
Adams part no.	Diameter x Length
CX33C1	5/8" x 2"
CX33C2	7/8" x 1 1/2"

CARBON STYLE #35	
Adams part no.	Diameter x Length
CX35C3	3/4" x 1"
CX35C5	1 1/2" x 2 1/2"

SEE TABLE ON PAGE 298

FOR LIST OF MATCHING COMPONENTS.

Carbon Holders



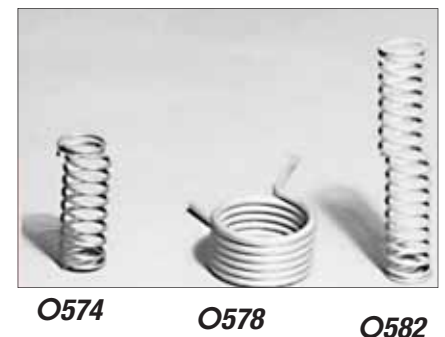
CARBON HOLDERS			
Adams part no.	Carbon size	Stem dia. x length	Otis part no.
O119	5/8" dia.	1/4" x 1 1/4", 1/420 threads	141436
O101	1" dia.	3/8" x 2"	103623
O102	1 1/2" dia.	3/8" x 1 1/4"	105936
O100	2" dia.	1/2" x 1 3/4"	108713
O108	2 1/4" dia.	5/8" x 3 5/8"	106183, 106184

CARBON STARTER, CARBON HOLDER		
Adams part no.	Description	Otis part no.
O138	Carbon starter for O68 copper contact	137726
O150	Carbon holder w/carbon; 1 1/2" x 1 1/2" face; holes 2" center to center	4SW3

DISTANCE PIECES							
Adams part no.	Hex		Stem		Head tap		Otis part no.
	Dia.	Length	Thread	Length	Thread	Depth	
O190	1"	2 1/8"	5/811	3 1/2"	5/811	1 3/4"	127782
O191	7/8"	1 5/8"	1/213	3 1/2"	1/213	1 1/2"	126229
O192	5/8"	1"	3/816	3 1/4"	3/816	1"	127850, 118716

Washers, Nuts & Springs

WASHERS, NUTS & SPRINGS			
Adams part no.	Type of part	Description	Otis part no.
O550	Copper washers	9/16" OD copper washer	127F17
O551		3/4" OD copper washer	127F12
O554		3/4" OD x 9/16" ID copper washer	127F48
O555	Nuts	5/811 brass jam hex nut	68A6
O556		1/213 brass jam hex nut	68A5
O557		3/816 brass jam hex nut	68A3
O559		1/420 brass jam hex nut	68A9
O571	Springs	Bronze hour glass spring	—
O574		Compression spring, 1 1/2"L	—
O575		Compression spring, 1 1/8"L	90LB1
O576		Compression spring, 1"L	90BB1
O577		Compression spring, 1"L	90AB8
O578		Steel spring for Type G switch	92Y1
O582	Compression spring, 2 3/4"L	—	
O584	Compression spring, 2 1/4"L	90JB13	





Insulators

BAKELITE BUSHINGS WITH BRASS SLEEVES

Adams part no.	Base (dia. x thick.)	Shoulder (dia. x thick.)	Stem Bore	Brass sleeve	Used with Adams copper contacts	Otis part no.
L3	2 1/2" x 1/4"	1 5/16" x 1/8"	1 15/16" L x 27/32" dia.	5/8" dia.	✓	O7, O11
L4	2" x 1/4"	1 3/8" x 1/8"	1 15/16" L x 27/32" dia.	5/8" dia.	✓	O12
L5	2 1/4" x 1/4"	1 5/16" x 1/8"	1 3/16" L x 27/32" dia.	1/2" dia.	✓	O16, O18
L7	1 1/2" x 3/16"	1 5/16" x 1/16"	1 5/16" L x 21/32" dia.	7/16" dia.	✓	O1, O3
L17	1 3/4" x 3/16"	1" x 1/16"	7/8" L x 21/32" dia.	7/16" dia.	✓	O17
L21	1 5/16" x 1/8"	3/4" x 1/16"	1/2" L x 1/2" dia.	5/16" dia.	✓	O18

WASHERS

Adams part no.	Material	Dimensions	Bore	Counterbore	Used with Adams copper contacts	Otis part no.
L10	Canvasbase phenolic	1 1/2" dia. x 1/4" thick	5/8" dia.	7/8" dia. x 1/8" deep	O7, O11, O12	10758
L18	Bakelite	1 1/4" dia. x 1/4" thick	7/16" dia.	7/8" dia. x 1/8" deep	O17, O45	807927
L27	Fibre	1" dia. x 1/8" thick	3/8" dia.	n/a	—	10793

Rail Gibs

For heavyduty passenger or freight installations, milled and machined rail gibs.

Each gib has special features which give it unique operating properties.

O908 has verticalribbed heavyduty sidewalls and is smoothly machined to permit easy rail glide.

O909A and O909B are made from Zamak12™ easyglide rustproof alloy, and are milled to minimize rail resistance in freight installations.

And **O910** combines a low profile with extra length for low friction and maximum bearing surface.

Packed and shipped in oil to prevent corrosion.

Heavyduty cast iron rail gibs from Adams stand up to the rigors of heavy daily elevator use



Adams part no.	Rail type	Dimensions			
		Length	Width	Height	Slot (DxW)
O908	Main rail gib, cast iron	8 1/2"	1 11/16"	1 1/2"	1" x 5/8"
O909A	Highspeed rail, Zamak12	12"	2 5/16"	2 1/2"	2" x 1 1/4"
O909B	Highspeed rail, Zamak12	8 1/2"	2 5/16"	2 1/2"	2" x 1 1/4"
O910	Bottom shoes, cast iron	12"	1 11/16"	1 1/2"	1" x 5/8"

Waffletruss design rail gibs for longer lasting Rail Gibs

We strengthened the side walls with a powerhouse design, using two polymer materials with just the right performance characteristics. . .and our superperforming gibs are priced far less than you'd expect.

We call our design "waffletruss" reinforcing. It's similar to the design used to strengthen railroad trestles. Horizontal and vertical support members are molded right into each gib. Each member resists compression and torsion for smooth gliding along the guide rail.

Crisscross "waffle truss" gives Adams rail gibs the strength they need to outlast and outperform ordinary gibs

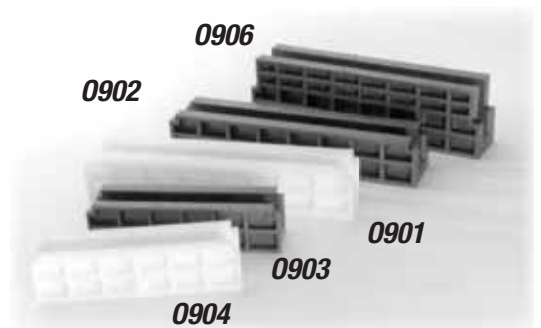


ZYTEL™ NYLON™ GIVES EXCELLENT SERVICE

Each gib is available in your choice of two outstanding polymer products. The white gibs are made from DuPont Zytel Nylon. Zytel gibs run quietly and absorb shock and vibration, and its lowfriction properties promote cool running, long life.

CHOOSE NYLATRON™ FOR BEST PERFORMANCE

If you believe that elevators should be seen and not heard, then Nylatron gibs should be on your shopping list. Black Nylatron (from The Polymer Corporation) generates 20% lower friction than its Zytel cousin. This highperforming material will outlast Zytel by up to 50% because it's got a lubricant impregnated right into the polymer. **This means that if normal lubricating service is interrupted, the Nylatron gibs will run dry for a limited time on their own lubricant...until additional lubricant can be applied...without damage to the gib or the rail.**



RAIL GIBS ORDERING INFORMATION										
Adams part no.	Type	Material	Dimensions				OEM part #			
			Length	Width	Height	Slot (DxW)	Dover	EpcO	Esco	Otis
0901	8# rail	Nylon	8½"	1 11/16"	1 1/2"	1" x 5/8"	9233905	R	3046006	380AJ1
0902	8# rail	Nylatron	8½"	1 11/16"	1 1/2"	1" x 5/8"		RG		
0903	8# rail	Nylon	5½"	1 3/8"	1 3/8"	1" x 5/8"		W		
0904	8# rail	Nylatron	5½"	1 3/8"	1 3/8"	1" x 5/8"		WG	3046019	380AP1
0906	15# rail	Nylatron	8½"	1 11/16"	2 3/8"	1 7/8" x 5/8"		RHG		380AH1

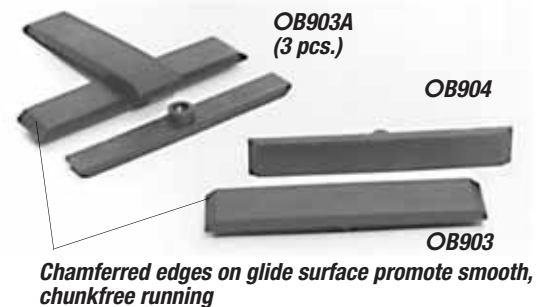
NYLATRON® GUIDE SHOES

Adams manufactures these direct replacements for Britishtype rail gibs, made from selflubricating Nylatron.

Blackcolored Nylatron is impregnated with molybdenum that permits temporary dry running with safety. Nylatron has 20% less friction than conventional Nylon®, and has 50% greater wear capacity. Its stiffness, hardness and abrasion resistance are superior.

Our Britishtype gibs are used throughout the U.K., in Europe, and in some U.S. elevator installations.

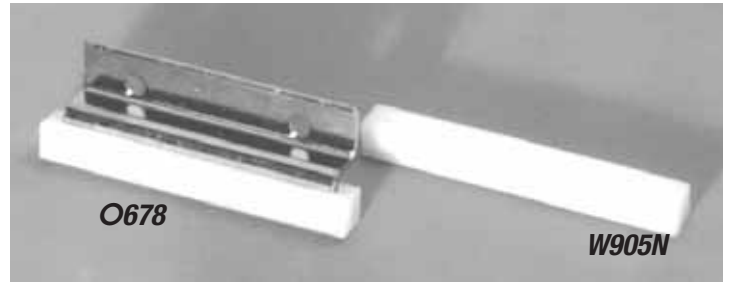
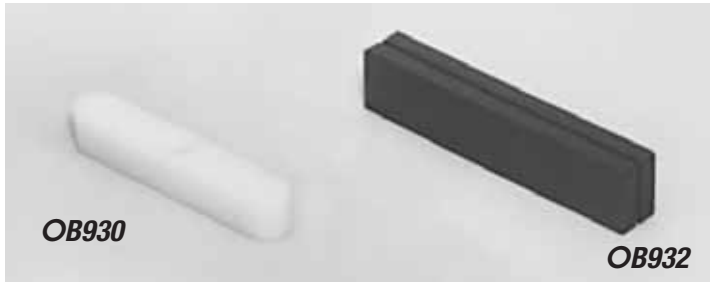
Order replacement gibs individually, or in convenient, moneysaving sets of three. See table below to order.



GUIDE SHOES (INDIVIDUAL AND SETS)				
Adams part no.	Dimensions			
	Length		Width	
OB901	4 11/16"	119mm	3 1/32"	25mm
OB902	4 11/16"	119mm	5/8"	16mm
OB903	5 29/32"	151mm	1 3/16"	30mm
OB904	5 29/32"	151mm	25/32"	19mm
OB901A	Contains 2 pc. OB902, 1 pcs. OB901			
OB903A	Contains 2 pcs. OB903, 1 pc. OB904			



Nylatron—Reg. TM The Polymer Corporation



DOOR GIBS

Nylon and Nylatron replacements for Britishtype door gibs are in stock and available from Adams. Three types.

BRITISHTYPE DOOR GIBS					
Adams part no.	Material	Dimensions			
		Length		Width	
OB930	Nylon	27/8"	73mm	15/32"	12mm
OB932	Nylatron	31/2"	89mm	1/2"	12mm

NYLON DOOR GUIDE

Use this steel & nylon assembly for current model passenger and freight elevators. Steel mounting clip is offset 1/2" with 21/8" mounting hole centers; overall 7/16" x 7/16" x 4". Direct replacement for spring-loaded door guide. Replaces Otis part no. VP869750.

O678 Nylon door guide, complete.

W905N Replacement nylon guide (Otis part no. 237GAN).

MISCELLANEOUS DOOR GUIDE ACCESSORIES



251BJ1
Otis
Gib Insert



385B1
Otis
Door Gib Insert



380BS2
Otis
Door Gib Insert
6.32"L x 1.00"W x .50"D



380Av1
Otis
Rail Gib



470P2
Otis
Guide Shoe



470P1
Otis
Guide Shoe,
3.5" Hub, 2.49" Bore



6884
Otis
Shoe



7593B3
Otis
Door Guide



7593B2
Otis
Door Gib Assy
8" L x 1.25"W



7593B4
Otis
Door Gib Assy
8" L x 1.20"W



A8111B3
Group function board



B8111A3
Group zone function board



A8110A1
Floor function board



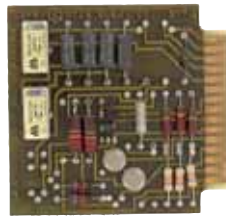
A8110A5
Floor function board

GROUP FUNCTION	
Part No.	Description
A8111B3	Group function board
A8111B4	Group function board
A8111B7	Group function board
B8111A1	Group zone function board
B8111A3	Group zone function board
B8111C1	Group zone function board
B8111C2	Otis printed circuit board 792
B8111C3	Group zone function board

FLOOR FUNCTION	
Part No.	Description
A8110A1	Floor function board
A8110A3	Floor function PCB
A8110A4	Floor function board
A8110A5	Floor function board



A8121D2
Otis relay driver



A8121D1
Otis relay driver



A8121AL24
Timer printed circuit board



A8121AL2
Timer printed circuit board

TIMER BOARDS	
Part No.	Description
A8110B1	Timer/Door operator board
A8121AL2	Timer printed circuit board
A8121AL24	Timer printed circuit board
A8121AL4	5 Timer printed circuit board
C8112B3	Timer PCB Supplementary Interface

RELAY DRIVER	
Part No.	Description
A8121D1	Otis relay driver printed circuit board
A8121D2	Otis relay driver printed circuit board
A8121D3	Otis relay driver printed circuit board

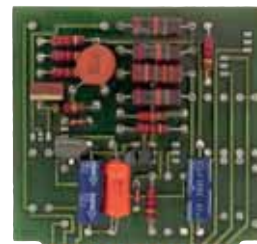


A8114C5
Car/floor/inter board



A8114D1
Car/floor/select board

CAR , FLOOR SELECT	
Part No.	Description
A8114B1	Car/floor/inter/select board
A8114B2	Car/floor/inter/select board
A8114B4	Car/floor/select board
A8114C5	Car/floor/inter/board
A8114D1	Car/floor/select board

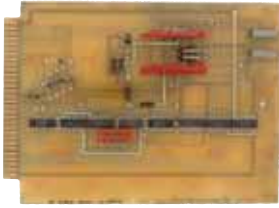


A8121E4
Double gong



A8121E3
Double gong

GONG BOARDS	
Part No.	Description
A8121E3	Double gong board
A8121E4	Double gong printed circuit board



B8112A3
Car Variable PCB



C8112B1
Car Variable #2 PCB for LRV3 Main Processor



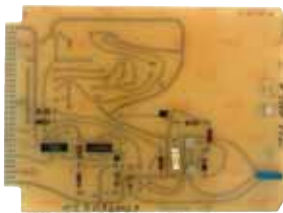
A8116B3
Hall call



A8116A7
Hall call

CAR VARIABLE	
Part No.	Description
A8112C10	Car variable board
A8112C12	Car variable board
B8112A3	Car Variable PCB Old #1Y088B1
B8112B1	Car Variable #3 PCB
C8112B10	Car Variable #3 PCB Car Signal Interface
C8112B1	Car Variable #2 PCB for LRV3 Main Processor

HALL CALL	
Part No.	Description
A8116A7	Hall call printed circuit board
A8116B3	Hall call printed circuit board



A8113H1
Timer, MG shut down board

MG TIMER	
Part No.	Description
A8113H1	Timer, MG shut down board
A8113H3	Timer, MG shut down board



A8111B4
Traffic/group zone board

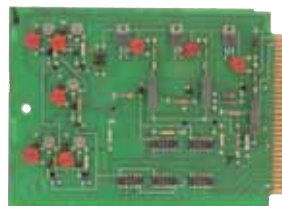


A8113C1
Hy/Zone/Traffic car function board

TRAFFIC ZONE	
Part No.	Description
A8113B2	Traffic zone board
A8113B4	Traffic/group zone board
A8113C1	Hy/Zone/Traffic car function board



A8111D2
Car Function board



A8114G1
Car signal interface board

CAR FUNCTION	
Part No.	Description
A8111D2	Car function board
A8114G1	Car signal interface board

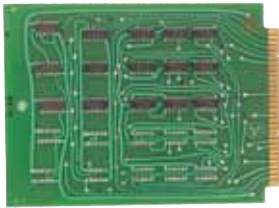
A8114AA7
Supp interface function

SUPP INTERFACE	
Part No.	Description
A8114AA10	Supp interface function board
A8114AA7	Supp interface function board



A8113F3
Group up peak board pcb A8113F1

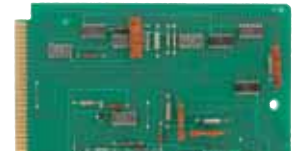
UP PEAK BOARDS	
Part No.	Description
A8113F3	Group up peak board pcb A8113F1
A8113G2	Up peak car function board
A8113N9	Carup peak board
A8113P7	Carup peak board



A8114D2
Digital readout board



E8121BE1
*Hall Interface
Module PCB for
LRV4*



A8113R1
Group Emergency

DIGITAL READOUT	
Part No.	Description
A8114AB1	Digital readout board
A8114D2	Digital readout board



A9708AB1
MRV control board



B8121AX1
Relay PCB for LRV 4



A8123C3
Group express service



A8121P1
Component



A8121AW1
Main processor board LRV3

EXPRESS	
Part No.	Description
A8112E1	Express priority board
A8123C3	Group express service board

MISCELLANEOUS	
Part No.	Description
A8112D1	Emergency power operation board
A8113R1	Group Emergency power board
A8114E1	Printed circuit board "CALL"
A8114E5	Car/floor/mec/adv board
A8114F1	Electronic touch reset board
A8115A1	Group interface board
A8115B2	Group power protection board
A8121AW1	Main processor board LRV3
A8121P1	Component printed circuit board
A8124AL1	Special service printed circuit board
A820P1	Operator printed circuit board
A9708AB1	MRV control board
B8113K1	Success MG PCB
B8113K5	Success MG Start PCB
B8114G1	Car signal interface PCB
B8115B4	PCB
B8121AX1	Relay PCB for LRV 4
C8114G1	Car Signal Interface PCB
E8121BE1	Hall Interface Module PCB for LRV4



B8121BA2
Power Supply PCB for LRV



A8201T1
Power Supply

POWER SUPPLY	
Part No.	Description
A8201T1	Power supply printed circuit board
B8121BA2	Power Supply PCB for LRV 4

