

Index for Pages 212-224

Bumper, rubber	217	Leveling units.....	218
Cable, infrared curtain.....	216, 218	Limit switches.....	218
“Christmas Tree” relay components	213	Magnetic leveling switch.....	218
Clutch linkage & cam.....	217	Packing	224
Coils.....	213	Pillow block	218
Contacts	213	Printed circuit boards.....	222, 223
Conversion kits, MO/MW.....	216	Pushbuttons & components	220, 221
Damping motor	218	Relays	214
Door components.....	215-218	Resistors	219
Door motor.....	218	Rollers	212, 215
Motor brush	218	Seals	224
Electrical components	219	Sheaves	212
Encoders.....	219	Siren alarm.....	221
Gate switch	218	Spirators.....	215
Glow bar	221	Stem & contact assemblies	213
Gong.....	221	STOP switches.....	220
Hydraulic components.....	224	Tachometers.....	219
“Ice cube” miniature relays.....	214	Timers	214
Interlocks.....	216, 217	Toggle switch	221
Keys.....	221	Transformers	219
Lantern arrows	221		

New Durabond® SPx⁸⁰™ = quiet performance, long life

In-house manufacturing of Montgomery rollers ensures strict adherence to specifications.

Looking for a quiet guide roller? Adams SPx⁸⁰™ Quiet Poly Durabond™ guide rollers give the quiet ride of rubber...PLUS these advantages:

COLOR KEY FOR ADAMS POLY

Red = LF⁷⁰ Low Friction
 Black = SP⁸⁰ Soft
 Clear = HD⁹⁵ Heavy Duty

- Quiet Poly lasts longer than rubber
- Stands up to petroleum products that invade hoistway and reduce roller life
- Resists ozone degradation

Durabond poly is noted for its durability, adhesion to the hub, and quiet running. A lot of other polyurethane formulations look like Durabond; none perform like Durabond.

Adams HDx⁹⁵™ Heavy-Duty Durabond® polyurethane is used for heavy-duty guide roller performance.

LFx⁷⁰™ is the super-hard, low-friction Durabond poly formulation that you'll find on all Adams replacement door hanger rollers.



M422



M422S



ME971

"S" in part no. indicates Quiet Poly



5207D42H49 Sheave, 1 groove; 15.25"D



D422
D422S



19502-30
Steel sheave,
1.7 pitch



M411M



M410M

P-7087
Roller guide wheel,
10"D



Adams part no.	Description	Poly tire	Poly color	OEM part no.
M410M	Door hanger roller for MAC door operator; 3 ⁵ / ₈ "-O.D. polyurethane tire with 9 ³ / ₃₂ " concave radius; incl. 7 ¹ / ₁₆ -20 threaded axle stud with hex jam nut	LFx ⁷⁰	Red	P-31344 MAP-344
M411M	Door hanger roller for MAC door operator; 2 ⁷ / ₈ "-O.D. polyurethane tire with 9 ³ / ₃₂ " concave radius; incl. 7 ¹ / ₁₆ -20 threaded axle stud with hex jam nut	LFx ⁷⁰	Red	P-31341 MAP-341
D422S	Quiet Poly roller guide wheel; precision-machined steel hub with 3"-O.D. polyurethane tire; 1 ³ / ₁₆ "W, 1/2" face; single ball bearing has I.D. of 0.7874"	SPx ⁸⁰	Black	P-2964
D422	Same as D422S above, with HDx ⁹⁵ heavy-duty poly tire	HDx ⁹⁵	Clear	
M422S	Quiet Poly roller guide wheel; precision-machined aluminum hub with 4 ³ / ₈ "-O.D. polyurethane tire 1"W at bearing; tire tapers to 1/2" face; bearing I.D. = 0.7874"	SPx ⁸⁰	Black	P-12907
M422	Same as M422S above, with HDx ⁹⁵ heavy-duty poly tire	HDx ⁹⁵	Clear	
ME971	Roller guide wheel for hydraulic elevators and escalators; precision-machined aluminum hub with 3 ¹⁵ / ₁₆ "-O.D. tire, 7 ⁷ / ₈ "W; bearing I.D. = 0.7874"	HDx ⁹⁵	Clear	P-12963, P-12908

Durabond, HDx⁹⁵, LFx⁷⁰, SPx⁸⁰—Reg. TM Adams Elevator Equipment Company

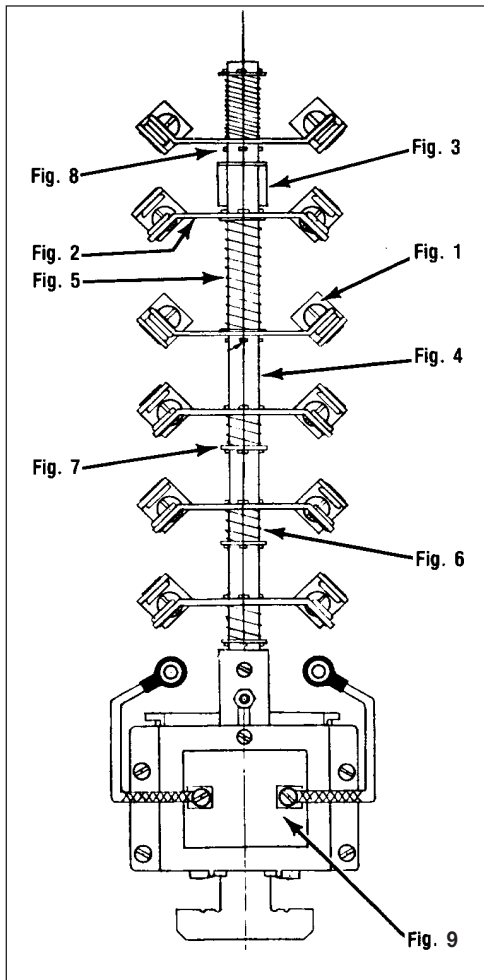
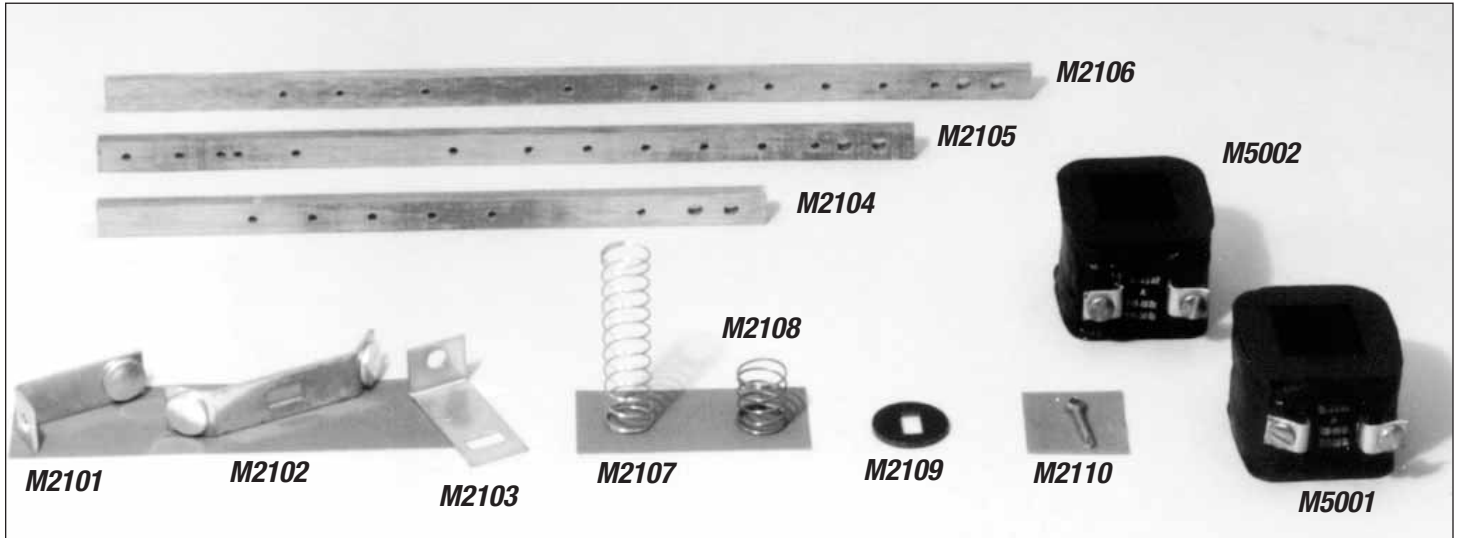


P-13787
Roller guide wheel, 6.5"D



P-12592
Roller guide wheel,
7.75"D

REPLACEMENT COMPONENTS FOR "CHRISTMAS TREE" RELAY



CHRISTMAS TREE RELAY COMPONENTS

Adams part no.	Fig. #	Description	MAC part no.
M2101	1	Stationary contact, angled	P-14736
M2102	2	Movable contact	P-14735
M2103	3	"L"-shaped stem guide	16807
M2104	4	Phenolic stem, 7"L	—
M2105	4	Phenolic stem, 8 ³ / ₄ "L	—
M2106	4	Phenolic stem, 10"L	—
M2107	5	Spring, 1 ¹ / ₂ "L; 12/pkg.	2881-148
M2108	6	Spring, ⁵ / ₈ "L; 12/pkg.	2881-149
M2109	7	Phenolic spacer, ³ / ₄ " dia.; 24/pkg.	11111
M2110	8	Cotter pin, ³ / ₃₂ " dia. x 1 ¹ / ₂ "L; 24/pkg.	—
M5001	9	Coil, 100VAC	16929
M5002	9	Coil, 220VAC	16910

REPLACEMENT "CHRISTMAS TREE" CONTACT ASSEMBLIES

Part no.	Description.	POLES - CONTACT ARRANGEMENT					
		1	2	3	4	5	6
P-4349	STEM & CONTACT ASSEM.	NC	NO	NO	NC	NO	NC
P-4350	STEM & CONTACT ASSEM.	NO	NO	NO	NC	NO	NC
P-4351	STEM & CONTACT ASSEM.	NO	NO	NO	NC	NO	NO
P-4352	STEM & CONTACT ASSEM.	NC	NC	NC	NO		
P-4354	STEM & CONTACT ASSEM.	NC	NO	NO	NO		



P-4354 Stem & contact assembly, 1NC, 2-3-4NO



P-4349 Stem & contact assembly, 1-4-6NC, 2-3-5NO

MINIATURE "ICE CUBE" RELAYS

These one-to-one replacement relays include labor-saving pilot lamp and reset button. Order bases separately. See Page 86.

Adams part no.	Coil voltage	Amps	Contact rating		Lamp	MAC part no.
			VAC	VDC		
M2502	120VAC	3	120	28-30	Neon	42844
M2503	24VAC	3	120	28-30	Red	43444
M2504	110VDC	3	120	28-30	Neon	43744
M2505	12VAC	3	120	28-30	Neon	45377

NOTE: Neon lamps glow with an orange-red color.



**45516 Relay,
120VAC 4 pole**

Part No.	Coil Voltage	Poles	Lamp	Button	Base (Separately, Page 86)
43744	110 VDC	4PDT	X	X	A758
45377	12 VAC	4PDT	X	X	A758
45516	120 VAC	4PDT	X	X	A758
46344	120 VAC	DPDT	X	X	



M2502



**90210-011
Relay, 120VAC,
DPDT**



**47354 Relay,
mag latch,
2PDT**



**48232 Relay,
12VDC
4PDT**

TIMERS



**58214 Delay timer,
230VAC/1A; 1.5 sec.**



**P-5361 Controller
timer, fixed 10 sec.**

**P-5363 Controller
timer, fixed, 1/2**



**47261 Timer,
120VAC, 10 sec.**

**47263 Plug-in controller
timer, 90 sec, 120V**



**P-16553 Timer, 0-180
sec., 115VAC; repl.
USP8555**

SPECIALTY RELAYS



**P-16720
Relay, 110VAC
DPDT**



**P-16723
Relay, harness, & bracket;
4PDT**



**P-16725
Relay & harness,
6PNO**



**P-28849
Reverse-phase
relay kit, 440-480VAC**



**P-30150
Relay conversion kit**



**47222 Relay,
120VAC, DPST-NO**



**28383
Relay, 2HVAC
DPDT**



**507263-120
Relay, 120VAC,
timed 0.5 sec.**

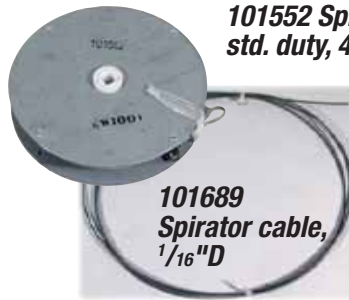


**32290
14 Pin Relay
Socket**

SPIRATORS



P-22301
Standard-duty spirator, 82"L cable



101552 Spirator, std. duty, 4.125"D

101689 Spirator cable, 1/16"D

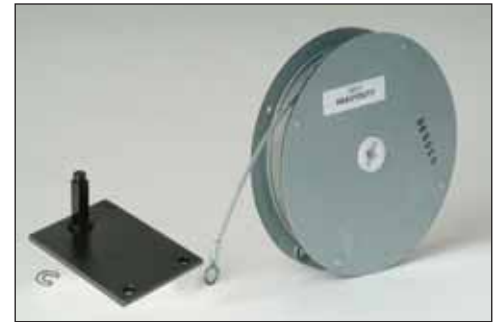


P-22297
Standard-duty spirator w/bracket



P-22302
Heavy-duty spirator

ADAMS SPIRATORS



Adams part no.	Description
A831	Reel-type door closer (spirator), 5" dia., with universal mounting hub; replaces MAC, GAL, Schindler, Dover, Otis, U.S., Armor and Westinghouse Spirators; heavy duty
A832	Standard-duty spirator, 5" dia. w/nylon runner
A831B	Mounting bracket for A831 spirator, above; order separately

DOOR ROLLERS



P-22237
Hanger roller sheave, 3.25" w/eccentric stud



101142
Door drive roller, 1.938"D



101141
Door drive roller stud, 1/2-13 x 2 1/2"L



P-22236
Upthrust roller, 1.575"D



P-31032
Large cable sheave, 3.125"D



P-31034
Cable sheave



P-24958
Gate switch roller, 1.575"D



P-31131
Upthrust roller, 1.181"D

P-7087
Roller guide wheel, 10"D



P-12592
Roller guide wheel, 7.75"D



P-13787
Roller guide wheel, 6.5"D



**90841 Infrared
curtain transmitter
cable, 12' x #24**



**P-15650
Photocell reflector**



**90844 Infrared curtain
receiver cable, 12' x #24**



**P-31360
Lower safety edge
pivot arm, 7.75\"/>**



**101033
Upper stud for mechanical
door edge, $\frac{3}{8}$ -24 x 1.75\"/>
101035
Stud w/washer, not shown**



**P-31252
Safety edge
connecting rod, 12.25\"/>**

DOOR CONTROLLER CONVERSIONS

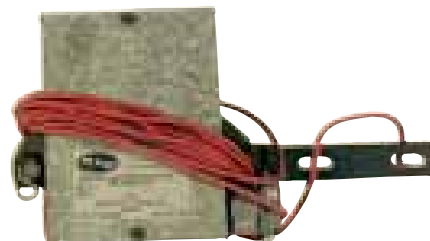


**P-22267-002
Conversion Kit For 'M' operator LH
(RH = -001)**



**P-22268-001
Conversion Kit For 'WM' Operator RH**

INTERLOCK ASSEMBLIES



**P-13002
Interlock assembly
with hook,
use-00R or-00L**



**P-31366-001
Door hanger interlock, RH
(LH = -002)**



P-22232



P-31289



P-22076-001



P-22120



101152



101156



101155



101192



101637



101719



P-31374



101214



101204



P-18578



P-4411



25077



P-22089



P-31419



P-31418-001



P-31402-001



58655

Part No.	Description
P-31436-001	Clutch Assembly, RH
P-22232	Car Door Clutch, Horizontal
P-22235	Car Door Clutch, Horizontal, Shallow
P-31374	Pendant Assembly Large Sheave
P-31289	Retracting Clutch Linkage
P-22120	Clutch Cam
101152	Door Clutch Retracting Chain
101687	Aluminum Link Arm
58651	Door Clutch Locking Cam
58656	Door Clutch Lift Rod, 44" L
P-31434-001	Clutch Hook & Bracket, RH
P-31434-002	Clutch Hook & Bracket, LH
P-22076-001	Clutch, Selcom Part, RH
P-22076-002	Clutch, Selcom Part, LH
P-22077-001	Clutch Hook & Bracket, RH
P-22106	Door Lock Hook
101054	Mounting Plate, 1/4" thk x 2" W x 20" L
101052	Link
101155	Clevis Lock (1/4-28) 1-7/8" L
101156	Clevis Pin, 3/16" D X 11/16" L
101192	Bearing, single
101637	Needle Bearing, 1.25" OD
P-31376-001	Interlock Hook Assembly, 5-5/8" R
P-31376-002	Interlock Hook Assembly, 5-5/8" L
40593	Latch Keeper Link/Hook w/ contact
40594	Contact, Leaf
101661	Interlock Mounting Bracket
58655	Door Lift Lever Link
58976	Lift Rod, Clutch
P-31402-001	Pickup Assembly, Vertical RH
101142	Roller only for P-31402-001
P-31402-002	Pickup Assembly, Vertical LH
P-31418-001	Pickup Assembly, Horizontal RH
P-31418-002	Pickup Assembly, Horizontal LH
101744	Pickup Assembly Tension Spring 1.57"L
25077	Door Operator Cam Shaft
P-4411	Door Operator Split Link Assembly
P-31419	Drive Lever & Bushing, 5"L
P-22089	Pivot Arm Assembly, 1"W X 3-1/4" L
P-18578	Door Drive Block
2858-114	Threaded Rod, 9" L, 5/16-18
101204	Door Drive Lift Rod, 5/16" D, 1/4-28 one end
101214	Connecting Rod, 1/4-28 at both ends
100969	Lunar Door Key, 8"L X 7/16" OD
101719	Rubber Bumper, 7/8" OD
19501-021	Door Oper "V" Belt, AX53
19501-022	Door Oper "V" Belt (set of 2)
19501-092	Door Oper "V" Belt (HPMS)



101687



58651



58656



101054



P-31376-001



P-31434-002



P-22106



P-22077-001



101052



101661



40593



20918 Nylon door gib



P-15646
Cable ass'y,
4-cond. #18STR W



59666
Spacer



101295 Spacer,
25/64"ID x 1.438"OD



101161
Nyliner bushing
1/4"



90527-022
Door operator cable



P-31921-002



12936-00A
Pin, 3/8-24



19500-032
Pillow block, 3/4" bore



49115-003
Washer,
0.812"OD



101802
"E" ring, 3/8"



P-4232 Stationary
limit switch contact



101163
"E" ring, 3/16"



P-4231 Movable
contact



P-12926
Magnetic leveling
switch, 120VAC, 1.5A



61404
Photoelectric leveling sensor



101040
Retaining
ring



28974-1
Snap ring



20034 Nylon
clip



P-22177
Spacer &
bolt



101630
"S" hook,
5/16"ID



P-28319-00C
Limit switch,
replaced by
USP33217005



P-06388
Leveling switch
contacts



520770
Limit switch



P-16577
Low-voltage
level unit, 45VDC



19144
Damping motor,
1/2hp

M800A Door Motor



M800A. Permanent-magnet replacement for Montgomery 1/6-hp door motor.

M800C. Replacement brush, shown at right.



Replacement
brush for
M800A door motor.
Adams part no. M800C



P-12861
Limit switch, 6
steps



P-01046-00C
Gate switch, replaced by
USP1046001

DOOR MOTOR SPECIFICATIONS

Adams part no.	Operating voltage	HP	Weight No-load	rpm Length	Motor type	Length		Body		OEM part no.
						Shaft	Diameter	Shaft	Diameter	
M800A	24VDC	1/6	7.8 lbs.	1140	Perm. magnet	6 ⁵ / ₁₆ "	1 ¹ / ₂ "	3 ³ / ₁₆ "	1/2"	101849

Magnetic Leveling Switch

M3000. Magnetic leveling switch in aluminum housing. Wires are red & black. 24VDC, 2N/O





63099-002 Encoder; 240 pulses per rev., 12V. (repl. US61531002)



63099-003 Encoder; 2048 pulses per rev., 12V



63099-004 Encoder; 2048 pulses per rev., 5V



61531-003 Encoder 256 count, 2-channel MIPROM 21



48574 Tachometer/motor shaft coupling



45407 DC tachometer



65981 Tachometer, 24VDC/1500rpm



61695 Tach generator



28600 Mounting Block

RECTIFIER

46217-020 Rectifier, 25A



90665-001 Flexible coupling .25 to .25 1" L



90665-003 Flexible coupling .25 to .25 1 1/4" L

TRANSFORMERS

28600-001 Transformer, 208-480V

28602 Transformer, 208-480V



Fig 1



Fig 2



Fig 3

RESISTORS					
Part No.	Resistance (Ohms)	Watts	Adjustable	Ferrule Caps	Figure
19510	50	200	YES	NO	1
23165	10	200	YES	YES	2
23166	50	200	YES	YES	2
23167	100	200	YES	YES	2
23168	250	200	YES	YES	2
23170	1000	200	YES	YES	2
24476	15	200	YES	YES	2
24477	20	200	YES	YES	2
24478	30	200	YES	YES	2
P-2883-025	300	130	NO	NO	3

MKO, 1" SQUARE



P-14426-8



P-14426-AL

PUSHBUTTON STEMS (1" SQ.)	
Part No.	Pushbutton Marking
P-14426-001	1
P-14426-002	2
P-14426-3	3
P-14426-4	4
P-14426-5	5
P-14426-6	6
P-14426-7	7
P-14426-008	8
P-14426-037	Arrow
P-14426-064	OPEN
P-14426-069	DOOR CLOSE
P-14426-080	blank
P-14426-01R	1R
P-14426-AL	ALARM
P-14426-G	G
P-14426-LB	LOBBY



P-16732-001

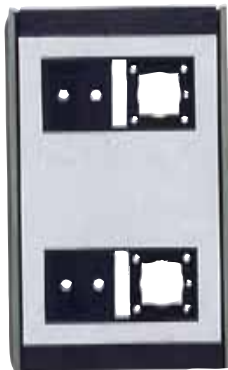
PUSHBUTTON & SWITCH ASS'Y. (MKO 1" SQ.)	
Part No.	Pushbutton Marking
P-16732-001	1
P-16732-002	2
P-16732-003	3
P-16732-004	4
P-16732-005	5
P-16732-006	6
P-16732-007	7
P-16732-064	OPEN
P-16732-065	DOOR OPEN
P-16732-068	DOOR CLOSE
P-16732-AR	Arrow
P-16732-BL	blank

PUSHBUTTON LENSES (1" SQ.)	
Part No.	Pushbutton Marking
P-14437-01	1
P-14437-02	2
P-14437-03	3



P-14437-01

P-25989-002
Hall Station Body



PUSHBUTTON & SWITCH ASS'Y. (MKO 7/8" DIA.)	
Part No.	Pushbutton Marking
P-6440-1	1
P-6440-AR	Arrow
P-6440-CA	CALL
P-6440-DC	DOOR CLOSE



P-6440-AR
Pushbutton, arrow



P-22572-072
STOP switch



P-2050-H72
STOP switch, horizontal



P-2050
Red pushbutton



65974-001 STOP switch



Hall Lantern Arrow

Part no.	Description
61021-001	Translucent
61021-002	Red



**61491
Car lantern arrow
mask**



**61429
Car lantern lens, smoke**



**P-25744 Toggle switch,
3PDT, ON-ON**



**P-25024
UP/DN keyswitch, 3PDT,
US14, A00**



**P-5590-100
Keyswitch, 3 position**



**62491-002
ON/OFF keyswitch bezel**



61032 Glow bar



**65000 Gong &
down-lantern PCB kit,
no P.I.**



P-13846 Gong, 48VDC high pitch



**90728
Siren alarm
120dB, 6-16VDC**



**P-22339 Vector Fixtures
pushbutton kit**

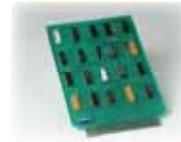


**15257
Pushbutton
contact disk**

PRINTED CIRCUIT BOARDS		
Adams part no.	Description	Montgomery part no.
MM3314	Speed control	A46222, B-47134, B-49710, P-15675, P-15764, P-16363, P-24170, P-24561
MM3320	Power board, w/o relays	A46223, B-47135, B-49711, P-15765, P-16364, P-24172
MM3320R	Power board, w/relays	A46223, B-47135, B-49711, P-15765, P-16364, P-24172
MM3328	Mother board, w/o relays	B-47136, P-15766
MM3334	On delay relay, less cover and relay	P-8555
MM3330R	Door controller board (MAC 104) plus relays. P-24783-004 is the 104 board w/harness. 90527-022 is the wiring harness only, for the 104 board.	-
MM3350	Miprom universal input board w/ terminal strip & molex connector	P-15730, P-15731, P-15761, P-15762, P-16785, P-16786
MM3360	Miprom universal Output board w/ terminal strip & molex connector	P-15774, P-15775, P-16776, P-16777
MM3361	Miprom Output, AC	P-24147, B49886
MM3362	Miprom DC Output board w/screw terminals	P-15778, P-16778
MM3363	Miprom Output, AC/DC	P-15779
MM3370	Miprom power supply w/brown out	P-16835
MM3380	I/O interface board	P-16783
MM3381	Timer 14X	P-15760



MM3314



MM3380



MM3330R



MM3320



MM3320R



MM3370



MO-1600-A8



P-15603



P-15730



P-15758



P-15774



P-15778



P-15761



P-15775



P-15833



P-15883



P-15885



P-15889



P-15903

PRINTED CIRCUIT BOARDS	
P-15603	PERFORM PCB P15603
P-15730	INPUT II BOARD (MIPROM 21)
P-15731	INPUT PCB
P-15758	TIMER 4X PCB P15758
P-15760	TIMER 14X PCB
P-15761	INPUT II PCB
P-15762	INPUT II PCB P16786
P-15766	BOARD P.C. DOOR OPERATOR
P-15771	I/O CARD RACK (MIPROM 21)
P-15774	AC OUTPUT BOARD MOLEX CONN.
P-15775	AC OUTPUT BOARD (MIPROM 21)
P-15778	DC OUTPUT PCB P16778
P-15833	RESISTOR BOARD 5K MIPROM
P-15834	2.5K RES PCB P15834
P-15839	I/O CARD RACK ASSM
P-15883	MIPROM 8K FINAL PC BOARD
P-15885	E-PROM BOARD P15885
P-15889	PCB W/OUT EMPROMS
P-15903	POWER PCB P15903
P-15910-001	MONTGOMERY CONTACT BLOCK PB
P-16059	BOARD, P.C.



P-16777



P-16835



P-24103



P-24107



P-24112



P-24419



PWA-3571



P-61795



P-61793



P-24869



P-24785



P-27110



P-24744-001



P-24441



P-24568-005



P-24562



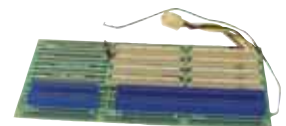
P-24529-005



P-24298



P-24151



P-24288

PRINTED CIRCUIT BOARDS	
P-16775	OUTPUT RELAY BOARD (MIPROM)
P-16777	AC OUTPUT BD P16777
P-16835	POWER PCB P16835
P-24100	OUTPUT BOARD W/MOLEX
P-24103	MULTI OPER AMP BOARD 6010
P-24107	DUAL BRIDGE FIELD BOARD, 6010
P-24110	PULSE DIST & AMP 6010 BOARD
P-24114	SS PRECISE REF. 6010 BOARD
P-24115	2CA BOARD P24115
P-24116	3CA BOARD P24116
P-24117	5CA BOARD P24117
P-24119	6CA BOARD P24119
P-24120	7CA BOARD P24120
P-24147	OUTPUT BILOGIC BOARD (MIPROM)
P-24151	INPUT PCB MIPROM CONTRL
P-24172	POWER BOARD W/RELAYS
P-24173	POWER BOARD P24173
P-24248	LOAD CELL AMP BOARD (MIPROM)
P-24263	TRANSITION MONITOR PC BOARD
P-24267	DOT MATRIX PI BOARD
P-24288	CARD RACK (MIPROM 21)
P-24298	PROM BOARD (MIPROM 21)
P-24323	RELAY PILOT BOARD (MIPROM 21)
P-24419	MONTGOMERY PB VECTOR PCB
P-24441	RS 485 INTERFACE BOARD (MIPROM)
P-24529-005	CA BOARD
P-24531	PC AB DC CONTROLLER MEGA
P-24549-001	RELAY BOARD
P-24562	DOOR BOARD PWA 3570A
P-24568-005	NTS BOARD (MIPROM 21)
P-24650	CA KIT BOARD P24650
P-24694	H'RAIL SPD SENSOR BOARD
P-24744-001	RS 232 INTERFACE BOARD (MIPROM)
P-24783-004	EZ OPER 104 BOARD WITH HARNESS
P-24785	PHASE LOSS BOARD
P-24982	PC BOARD P24982
P-27110	BRAKE CTRL - 24V, W/OUT T'FORMER
P-29629	INPUT SNUBBER BOARD
P-29629-001	MIPROM 21 I/O BOARD
P-31529	PC BRD, HALL TERMINAL LANDING
P-61793	ARMATURE PULSE BOARD
P-61795	FEEDBACK BOARD
PWA-3571	POWER PCB W/O RELAYS



P-24114



P-24117



P-24147



P-24120



P-29629



P-24783-004



P-29629-001



P-24100



P-24267



P-24273

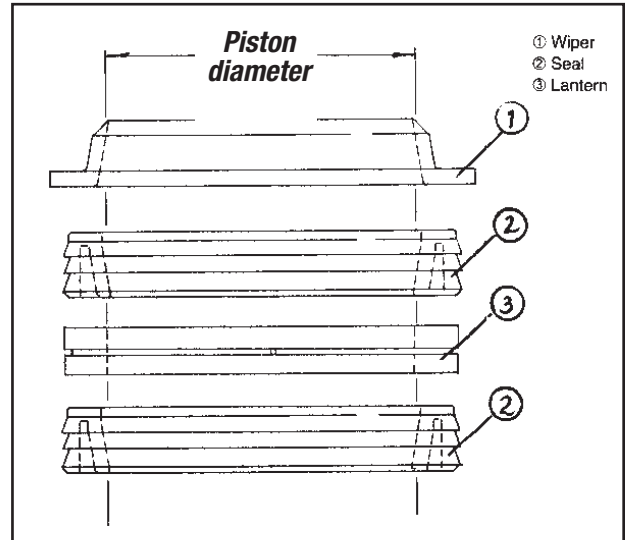
Montgomery Hydraulic Packing Kits

Each hydraulic packing kit for Montgomery consists of:

- Two (2) seals
- One (1) wiper
- One (1) lantern ring

MONTGOMERY	
Adams part no.	Piston diameter
GK03937M	3 ¹⁵ / ₁₆ "
GK04375M	4 ³ / ₈ "
GK04500M	4 ¹ / ₂ "
GK05437M	5 ⁷ / ₁₆ "
GK05500M*	5 ¹ / ₂ "
GK05750M	5 ³ / ₄ "
GK06562M	6 ⁹ / ₁₆ "
GK07500M	7 ¹ / ₂ "
GK08562M	8 ⁹ / ₁₆ "
GK09500M	9 ¹ / ₂ "
GK10715M	10 ¹⁸ / ₂₅ "
GK12625M	12 ³ / ₈ "

*Includes one seal, one lantern, one wiper.



51570-001
Wiper ring,
3" bearing



51233-001
3" solid jack
packing set



2881-170
Steel valve
spring washer



P-9118
Solenoid valve core, NC



43300 Rod packing,
round



P-9985
Regulator assembly
for US-UL valve



P-9117
Solenoid case, NO