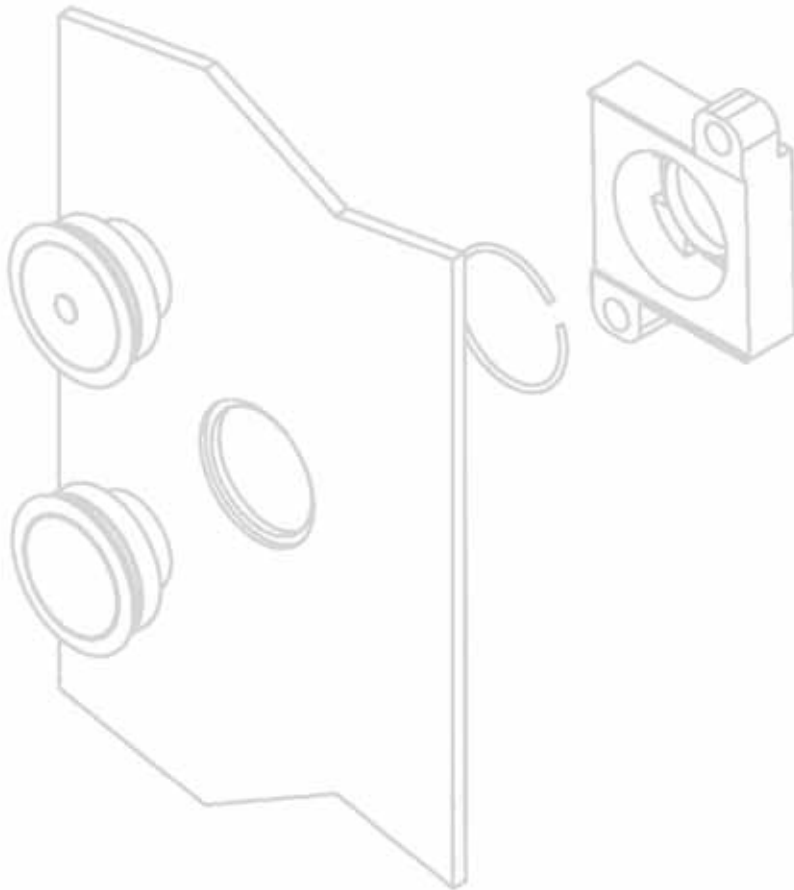


Index for Pages 100-116



Appendix H signs	115, 116
Barrell keyswitches and keys	112
Braille Plates - car	107
Braille Plates - jamb	107
Bulbs, Lamps	106
Button Base LEDs	100
Button Bases - Adams Survivor	100, 102, 106
Buttons Bases - Adams Surface Mount	102
Capacity Signs	114
Caution Signs - elevator & escalator	114
Certificate Frames	113
Door Hold Toggles	109
Emergency (Glass) Door Key Box	113
Emergency Stop Buttons	108
Emergency Stop Keyswitches	109
Evacuation Car Signs	107
Fire Signs - Phase I and Phase II	115, 116
Fireman's Keybox	113
Keyswitches and components chart	110, 111
Lamp Sockets	100
Lantern LEDs	100, 101
Lantern Lens	100
"Out of Service" Post It Signs	114
Phone Jacks	109
Position Indicator LEDs - Vandal Resistant	101
Position Indicator Lens - Vandal Resistant	101
Pushbutton Assemblies - Adams Bar Button	105
Pushbutton Assemblies - Adams Classic	105
Pushbutton Assemblies - Adams Designer	104
Pushbutton Assemblies - Adams Homelift	104
Pushbutton Assemblies - Adams Survivor Plus	103
Rocker Switches	112
Service Cabinet Locks	112

To order **replacement parts for your Adams fixtures**, call Parts Direct at **1-800-929-9247**.

Light-Emitting Diodes: Solid-State Illumination

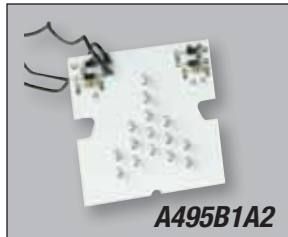
FEATURES:

- Life: an estimated 100,000 hours at constant illumination
- Illumination is uniform
- AC/DC power—no polarity dependent
- Amber LEDs are "off white"

DOVER 85 LED REPLACEMENTS 10/PKG.			
Adams part no.			Voltage AC/DC
Green	Red	Warm white	
A493L1G3	A493L1R3	A493L1W3	—

LEDs FOR SURVIVOR AND DESIGNER LENSES

These LEDs work with Adams Hall Lantern Lenses (Lenses sold separately) shown lower right:



LEDs FOR A474BL, CL, JL, & KL HALL LANTERNS

Adams part no.			Voltage AC/DC
Green	Red	Amber	
A495B1G2	A495B1R2	A495B1A2	24/28
A495B2G2	A495B2R2	A495B2A2	48
A495B3G2	A495B3R2	A495B3A2	60
A495B4G2	A495B4R2	A495B4A2	120
A495B5G2	A495B5R2	A495B5A2	240
A495B6G2	A495B6R2	A495B6A2	155

LEDs FOR SURVIVOR BUTTON BASES

These LEDs will work with Adams Survivor® base jewel or button including Survivor, Designer, Classic, Homelift and Survivor Plus (base sold separately)



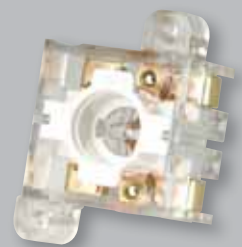
AS451A-02 Survivor base for LED illumination

LEDs FOR SURVIVOR BASE (10/PK)

Adams part no.		Voltage AC/DC
Red	Amber	
A494LR0*	—	Phone*
A494LR1	A494LW1	6
A494LR2	A494LW2	12
A494LR3	A494LW3	24/28
A494LR4	A494LW4	48/60
A494LR5	A494LW5	120
—	A494LW7	240

*Phone LEDs sold in singles

A494LW1

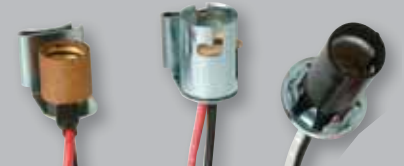


AS451A-02 Survivor base

A470L4

A470L3

A470L5

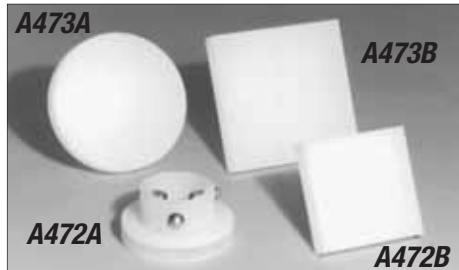


LAMP SOCKET ORDERING INFORMATION

Adams part no.	Description
A470L3	Socket, double contact bayonet
A470L4	Socket, candelabra screw base
A470L5	Socket, insulated base, for P.I.; bayonet base

POP-IN LENS ORDERING INFORMATION

Adams part no.	Description	Mounting tube ID
A472A	3" dia. pop-in lens	2 1/2"
A472B	3" square pop-in lens	—
A473A	4" dia. pop-in lens	3 1/2"
A473B	4" square pop-in lens	—



HALL LANTERN LENS ORDERING INFORMATION

Adams part no.	Description	Filter lens	
		Red	Green
A474BL	2 1/2"H x 2 1/2"W white arrow, protrudes 1/8"	A474-02R	A474-02G
A474CL	2 1/2"H x 2 1/2"W white arrow, protrudes 1/4"	A474-02R	A474-02G
A474HL	3" dia. hall lantern lens; protrudes 3/4"	A474-03R	A474-03G
A474IL2	7-jewel V/R lantern lens, 3"H x 2 1/2"W	A474-05R	A474-05G
A474JL	2 1/2"H chevron arrow; protrudes 3/4"	A474-04R	A474-04G
A474KL	3"H chevron arrow; protrudes 3/4"	—	—

* A474IL2 shown on next page

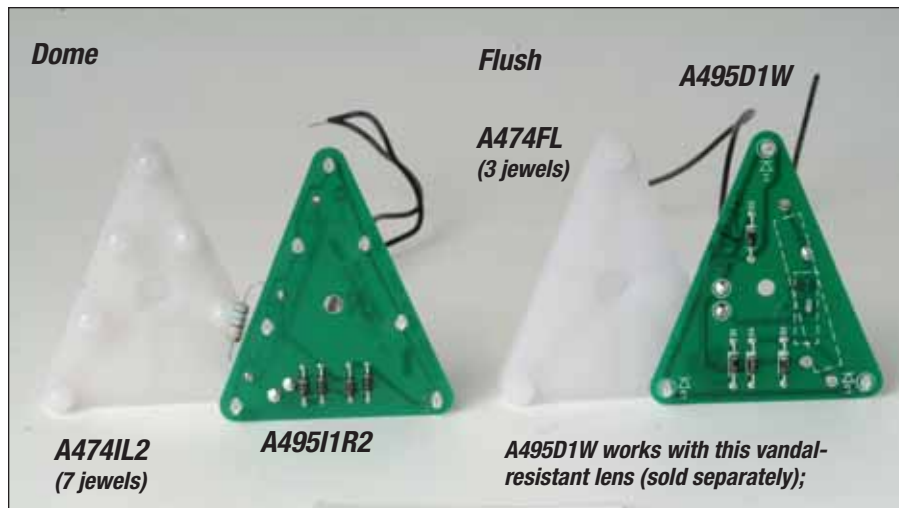
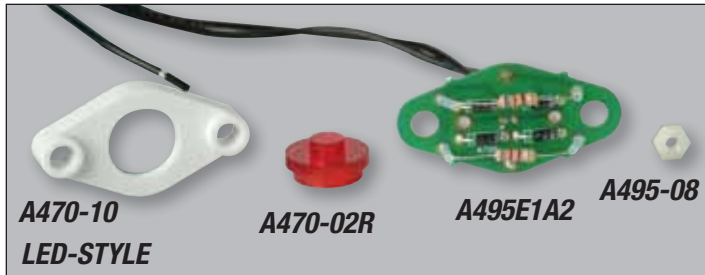
These heavy-duty Lexan® lenses are CSA approved



Vandal-Resistant P.I. Jewels

Choose LED or incandescent illumination for vandal-resistant position indicators. Jewels and mounting nuts are the same for both.

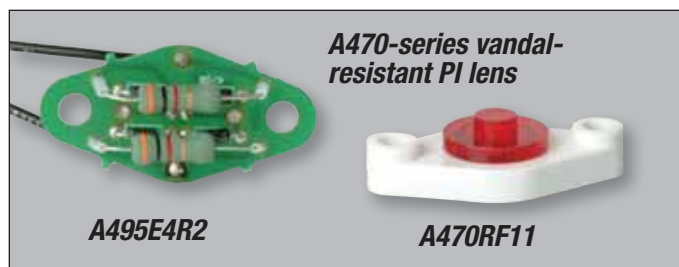
VANDAL-RESISTANT P.I. JEWEL ASSEMBLIES					
	Halo	Jewel	Lamp holder	LED/Lamp	Fasteners (2)
LED	A470-10	A470-02R	—	A495E1A2	A495-08
Incand. Red	A470-01	A470-02R	A470L5	A480L15	A495-08
Incand. White	A470-01	A470-02W	A470L5	A480L15	A495-08



7-JEWEL LEDs FOR A474IL TRIANGULAR HALL LANTERNS			
Adams part no.			Voltage AC/DC
Green	Red	Amber	
A495I1G2	A495I1R2	A495I1A2	24
A495I2G2	A495I2R2	A495I2A2	48
A495I3G2	A495I3R2	A495I3A2	60
A495I4G2	A495I4R2	A495I4A2	120
A495I5G2	A495I5R2	A495I5A2	240

LEDs FOR A474FL HALL LANTERNS (3-JEWEL UNITS TO REPLACE EXISTING A495D-SERIES)			
Adams part no.			Voltage AC/DC
Green	Red	Amber	
A495D0G	A495D0R	A495D0W	12
A495D1G	A495D1R	A495D1W	24/28
A495D2G	A495D2R	A495D2W	48
A495D3G	A495D3R	A495D3W	60
A495D4G	A495D4R	A495D4W	120

LEDs FOR A474HL 3" ROUND HALL LANTERNS			
Adams part no.			Voltage AC/DC
Green	Red	Amber	
A495H1G2	A495H1R2	A495H1A2	24/28
A495H2G2	A495H2R2	A495H2A2	48
A495H3G2	A495H3R2	A495H3A2	60
A495H4G2	A495H4R2	A495H4A2	120
A495H5G2	A495H5R2	A495H5A2	240



Vandal resistant!

LEDs FOR A470RF VANDAL-RESISTANT P.I.'S			
Adams part no.			Voltage AC/DC
Green	Red	White	
A495E1G2	A495E1R2	A495E1A2	24/28
A495E2G2	A495E2R2	A495E2A2	48
A495E3G2	A495E3R2	A495E3A2	60
A495E4G2	A495E4R2	A495E4A2	120
A495E5G2	A495E5R2	A495E5A2	DC/Phone
A495E6G2	A495E6R2	A495E6A2	240

Survivor[®] Pushbutton with Base

The patented Survivor[®] pushbutton has been tested to more than 22,000,000 cycles...without failing.

Choose button bases for incandescent or LED illumination. *Incandescent and LED lamps sold separately.*

Survivor Button Diameter 1.365"

Old Style Survivor Button available as Special Order.



ASA452CI-XFH/GC

Combination Fire Service/Call Cancel button eliminates the need for an additional punch in your COP.

Survivor—Reg. TM Adams Elevator Equipment Company

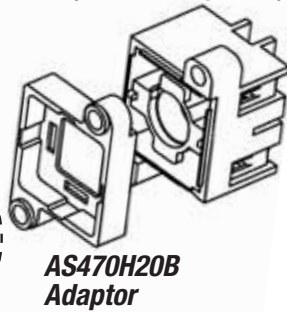
ADA-STYLE BUTTON ORDERING INFORMATION

Description	Adams part no.	
	Incandescent base	LED base
Survivor button w/char., complete	ASA452CI-[char]	ASA452CL-[char]
Survivor button w/cap, halo, and adaptor (No Base)	ASA452A-[char]	
Survivor button w/cap (no halo, adaptor or base)	ASA452W-[char]	

Incandescent and LED illumination are sold separately.

AS451A Base (Includes Lampholder)

Cap only AS450BC3



AS470H20B Adaptor

AS450H21 Halo

ASA452W-char Button and Cap

CALIFORNIA-STYLE BUTTON ORDERING INFORMATION

Description	Adams part no.	
	Incandescent base	LED base
Survivor CA button w/char., complete	ASC452CI-[char]	ASC452CL-[char]
Survivor CA button w/cap, halo, and adaptor (No Base)	ASC452A-[char]	
Survivor CA button w/cap (no halo, adaptor or base)	ASC452W-[char]	

Incandescent and LED illumination are sold separately.
335200-2 Survivor plug (to fill empty punch)

SURFACEMOUNT REPLACEMENT BUTTONS, BLANK

Voltage	Button Style			
	Survivor	Designer	Classic	Vandal Base Only
24/28	SM452W2*	SM472W2	SM480W2	SM451WV2
48	SM452W3*	SM472W3	SM480W3	SM451WV3
60	SM452W4*	SM472W4	SM480W4	SM451WV4
120	SM452W5*	SM472W5	SM480W5	SM451WV5
Otis Module**	SM452W0	SM472W0	SM480W0	SM451WV0

*For button with arrow, add "A" to end of part no. Available for Survivor buttons only.

**Otis module sold separately
SM458S1. Vandal button only, stainless. SM458B1. Vandal button only, bronze.



SM452W5

Survivor/PLUS® vandal-resistant pushbuttons

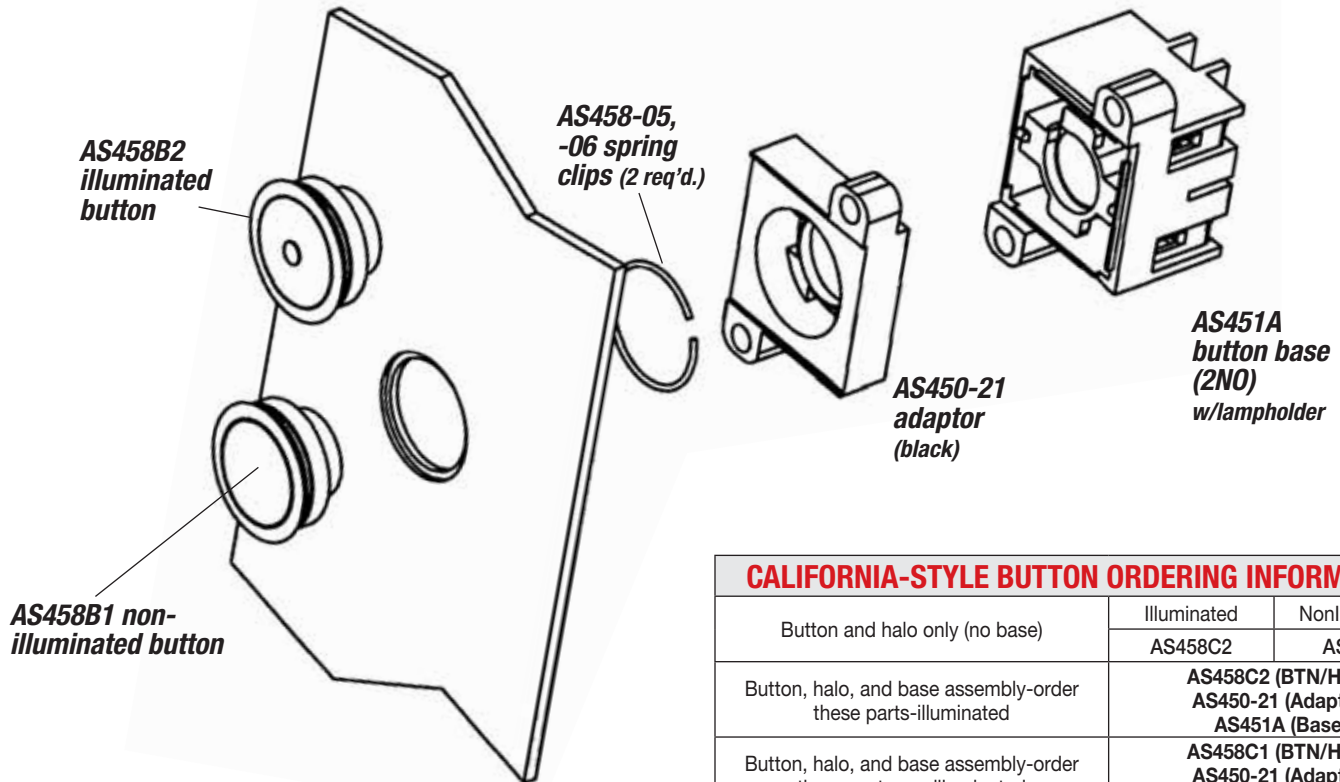
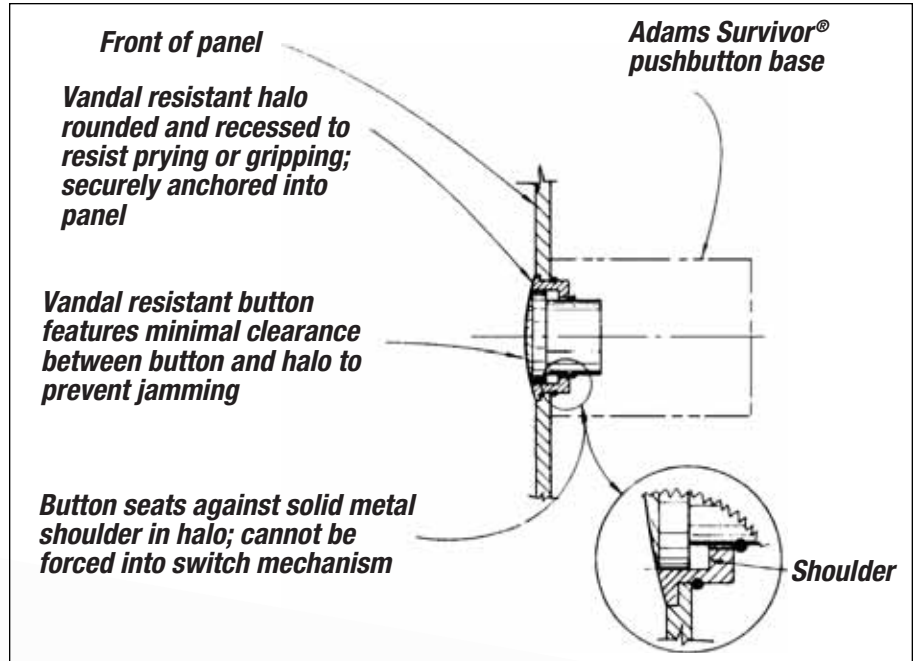
Survivor/PLUS™ vandal-resistant pushbuttons have a patented “coined pocket” designed to support the button by the metal panel.

Survivor/PLUS

- Can be ordered to meet California Title 24; see chart below
- Opening for Survivor Plus Button is 1.156" diameter inside and 1.246" diameter outside coined surface

SURVIVOR/PLUS—STAINLESS STEEL #4 COMPLETE BUTTON ASSEMBLIES		
Contact configuration	Adams part no.	
	Non-illuminated	Illuminated
2NO	AS458A1	AS458A4
2NC	AS458A2	AS458A5
1NO/1NC	AS458A3	AS458A6

Bronze Available by special order.
Incandescent and LED illumination are sold separately.



CALIFORNIA-STYLE BUTTON ORDERING INFORMATION		
Button and halo only (no base)	Illuminated	NonIlluminated
		AS458C2
Button, halo, and base assembly-order these parts-illuminated	AS458C2 (BTN/Halo) AS450-21 (Adaptor) AS451A (Base)	
Button, halo, and base assembly-order these parts-nonilluminated	AS458C1 (BTN/Halo) AS450-21 (Adaptor) AS451A (Base)	

Incandescent and LED illumination are sold separately.

Designer™ Pushbutton with Base

DESIGNER PUSHBUTTON ASSEMBLY, EXPLODED VIEW [SINGLE]

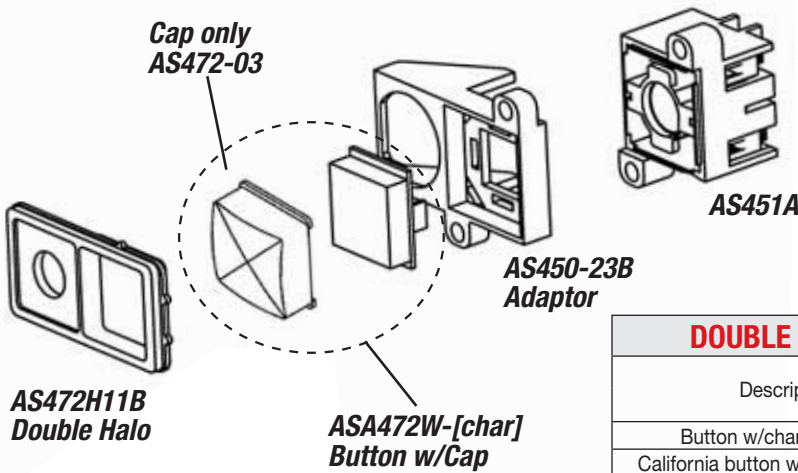
SINGLE DESIGNER BUTTON ORDERING INFORMATION		
Description	Adams part no.	
	Incandescent base	LED base
Button w/char., complete	ASA472SCI-[char]	ASA472SCL-[char]
Button w/cap only (no base or adaptor) or halo	ASA472W-[char]	
California button w/char., complete	ASC472SCI-[char]	ASC472SCL-[char]
California button w/cap only (no base or adaptor) or halo	ASC472W-[char]	

*California Cap Only (squared shoulders) AS472-04
Incandescent and LED illumination are sold separately.

Single Designer BTN
1.50"w x 1.50"h



DESIGNER PUSHBUTTON ASSEMBLY W/BRILLE, EXPLODED VIEW



DOUBLE DESIGNER BUTTON ORDERING INFORMATION		
Description	Adams part no.	
	Incandescent base	LED base
Button w/char., complete	ASA472DCI-[char]	ASA472DCL-[char]
California button w/char., complete	ASC472DCI-[char]	ASC472DCL-[char]

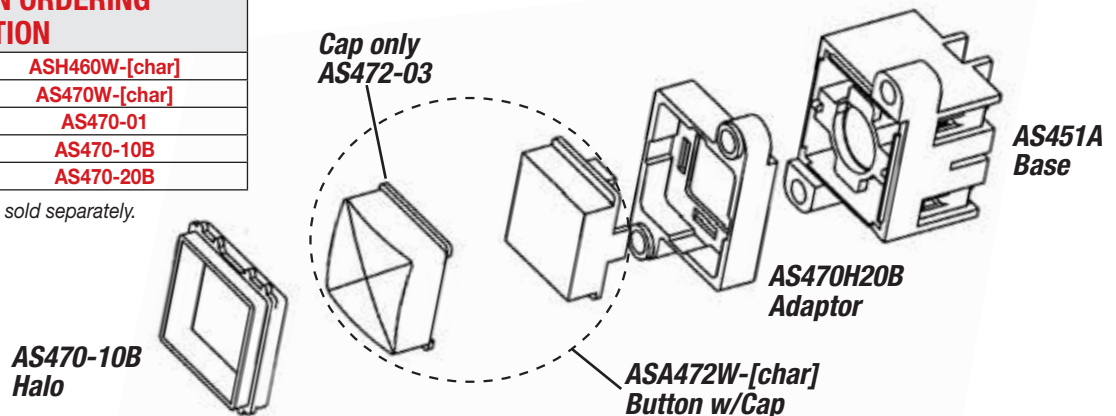
Incandescent illumination and Braille tag sold separately. See Braille Tag Page

Designer BTN w/Braille
2.88"w x 1.50"h

HOMELIFT BUTTON ORDERING INFORMATION	
Button complete (no lamp)	ASH460W-[char]
Button w/cap only (no base)	AS470W-[char]
Cap only	AS470-01
Halo only	AS470-10B
Adaptor only	AS470-20B

Incandescent and LED illumination are sold separately.

Homelift BTN
1.25" x 1.25"



Classic™ Pushbutton with Base

Our Classic buttons are mounted on our Survivor base. In our double-Classic style, the blank button and braille tag are enclosed together to create an oval-shaped assembly (2.88"); see exploded diagram at right. The braille tag has a black matte finish with 5/8" high characters, raised and polished. Meets ADA. Braille dots are located below the characters.

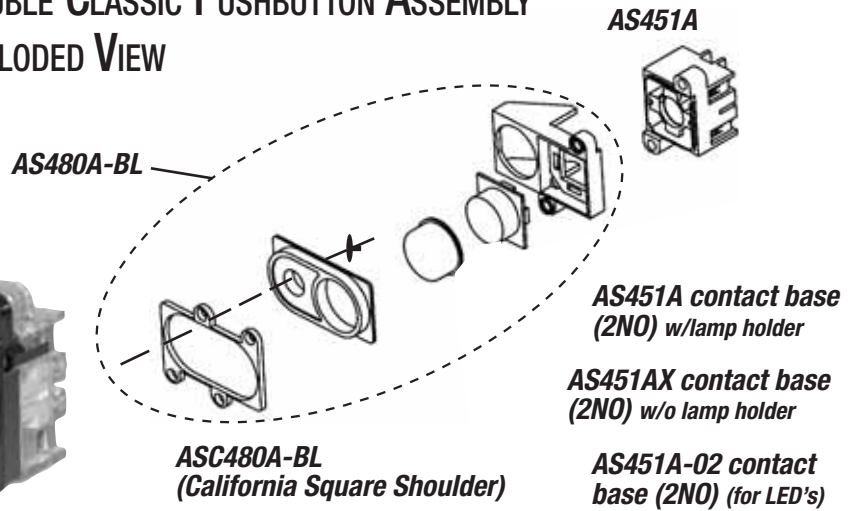
[NOTE: Do not use AS480-21 shim for 1/8" button and halo protrusion.]

Classic pushbuttons are 1.25" diameter white Lexan®; they require a 1.5" punch without braille.

Classic Braille sold separately

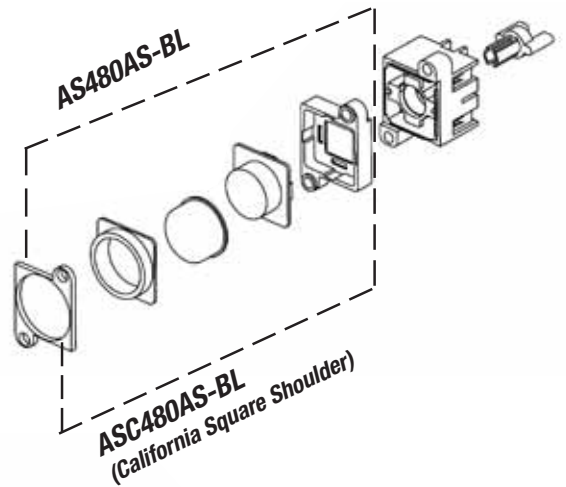


DOUBLE CLASSIC PUSHBUTTON ASSEMBLY EXPLODED VIEW



SINGLE CLASSIC PUSHBUTTON ASSEMBLY, EXPLODED VIEW

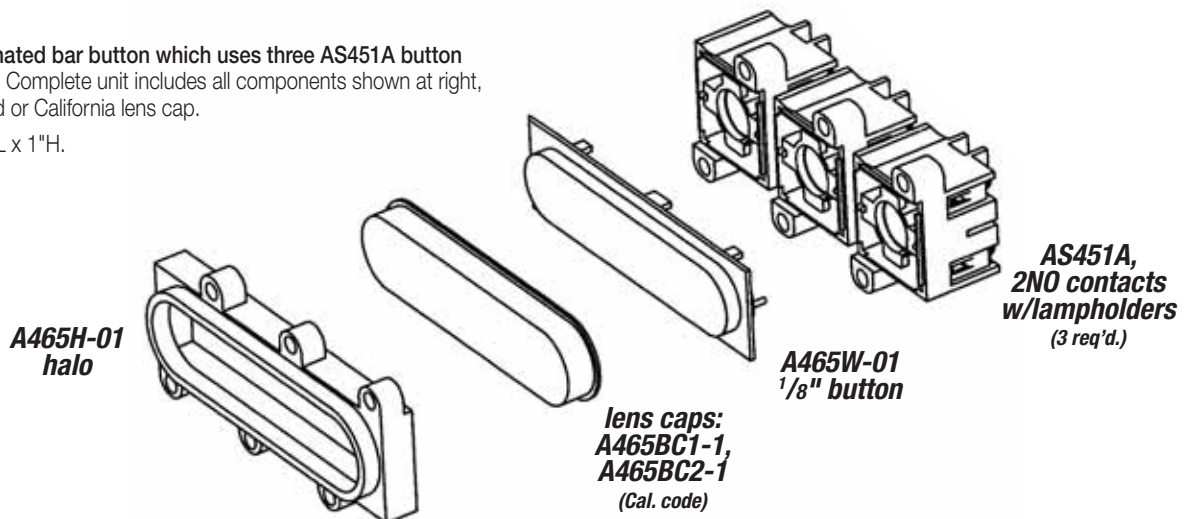
To order a single Classic button with a character order AS480AS-[Char]



BAR BUTTON

Adams provides an illuminated bar button which uses three AS451A button bases with 2 N/O contacts. Complete unit includes all components shown at right, with your choice of standard or California lens cap.

Illuminated button is 4 3/4" L x 1" H.
Halo is 5.0" L x 1 3/8" H.



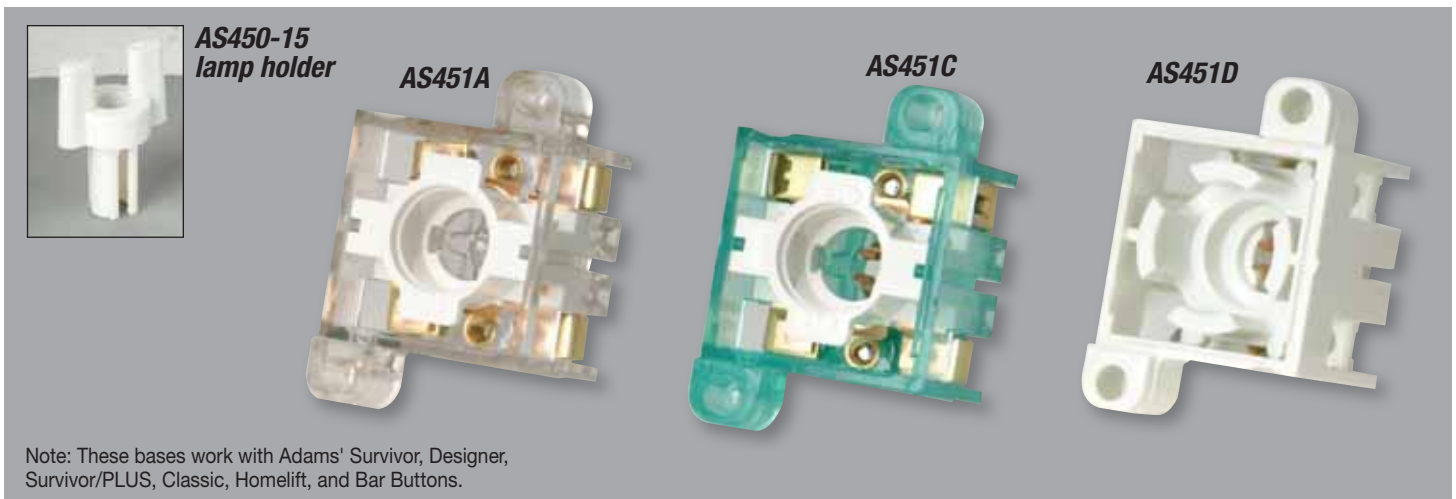
Survivor® Button Bases for Pushbuttons, Jewels, and Position Indicators.

SURVIVOR BUTTON BASE ORDERING INFORMATION

Adams part no.	Description	Base color
AS451A	Contact base, 2NO w/lampholder	Clear
AS451B	Contact base, 2NC w/lampholder (not pictured)	Red
AS451C	Contact base, 1NO/1NC w/lampholder	Green
AS451D	Jewel/PI base, w/lampholder & spacer	White
AS450-15	Lampholder for above	White
AS450-16	Lampholder for above without ears	White

Our color-coded Survivor® button bases are Adams standard. The color helps identify the contact configuration.

Use AS451A-02 base for LED illumination



Note: These bases work with Adams' Survivor, Designer, Survivor/PLUS, Classic, Homelift, and Bar Buttons.

LAMPS—PACKAGES OF 10

Find the voltage you need in the left-hand column, and read across the table for the part number that corresponds to the lamp type you are replacing.

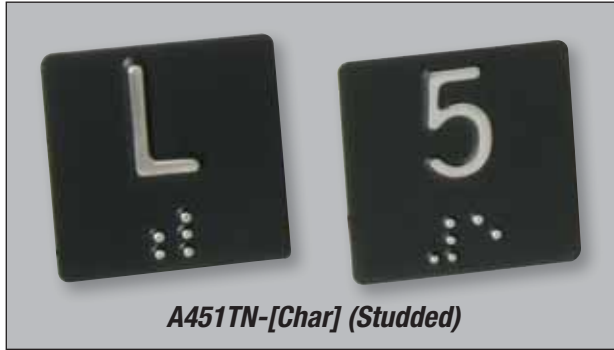
LAMP ORDERING INFORMATION

Voltage	Buttons & jewels PSB-type	Hall lanterns	
		Double contact bayonet	Candelabra screw base
6	A487L7	A485L1	—
12	A487L8	A484L8	—
24	A487L1	A484L9	—
28	A487L2	A484L9	—
48	A487L3	—	A488L8
60	A487L4	—	A488L9
120	A487L5	A484L2	—
120 neon	A487L6	—	—



TACTILE/BRAILLE TAGS

1 1/4"-square tags with 5/8"-high characters on contrasting black background.



TACTILE/BRAILLE TAGS			
Adams part no.	California	Character finish	Mounting method
A451TN-[char]	No	Stainless	*Studded
A451B-[char]	No	Stainless	Adhesive
A451FTN-[char]	No	Bronze	*Studded
A451E-[char]	No	Bronze	Adhesive
A452CTN-[char]	Yes	White	*Studded
A452B-[char]	Yes	White	Adhesive

*Studded tags include threaded mounting nut.



A453CTN-[Char]

CLASSIC® TACTILE/BRAILLE TAGS			
Adams part no.	California	Character finish	Mounting method
A453CTN-[char]	No	Stainless	Studded*
A453FTN-[char]	No	Bronze	Studded*
A454CTN-[char]	Yes	White	Studded*

*Studded tags include threaded mounting nut.

DOOR JAMB PLATES

2"-high characters with contrasting black background. Plates are 4" x 4". Available with stainless, bronze or white characters with Adhesive Back.



A4500T-[Char]



A4500TCS-[Char]

For California Code:
Braille symbol is placed to left of number character

PLEASE NOTE:

- Full range of characters and symbols available.
- Three characters on one plate are available on special order. Call sales rep.
- Indicate egress floor by placing "X" in front of floor number; for example, "-XM" represents a tag with the symbol "☆M" for egress at the mezzanine.

DOOR JAMB PLATES			
Adams part no.	California	Character finish	Braille Location
A4500T-[char]	No	Stainless	Below
A4500C-[char]	No	Bronze	Below
A4500TW-[char]	Yes	White	Below
A4500TC-[char]	Yes	White	Left
A4500TCS-[char]	Yes	Stainless	Left
A4500TCB-[char]	Yes	Bronze	Left

(All jamb plates are adhesive mount.)

EVACUATION CAR SIGNS			
Adams part no.	Size	Character	Background
A4502B-[char]	4" sq	Black	SS
A4502S-[char]	4" sq	SS	Black

(All evacuation car signs are adhesive)
Tags contain the word CAR and a car number.

ORIGINAL-STYLE SURVIVOR EMERGENCY STOP SWITCHES

Push to run/pull to stop. 2NC-1NO Contacts.

A471A1. Original Style Survivor Stop Switches Mount Horizontal or Corner to Corner. Red Plastic Button, 1/8" High Halo

A471A2. Button and 1/8" High Halo are Aluminum.

A471A3. Button and 1/4" High Halo are Plastic.

A471A4. Vandal-resistant model (Survivor/PLUS) has coined pocket. Horizontal mounting holes are 2 1/8" cc.



NEW-STYLE SURVIVOR EMERGENCY STOP SWITCHES

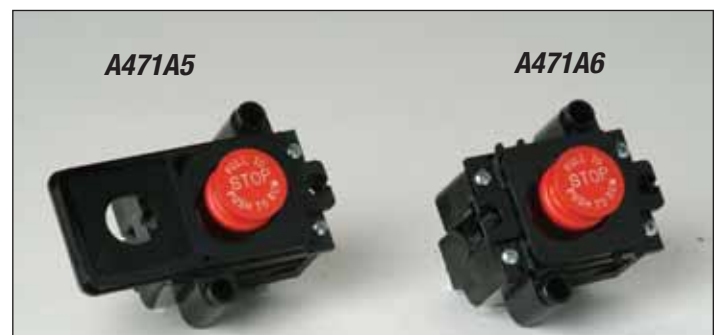
These Push/Pull STOP switches have 1/8"H and 1 3/8" diameter halos.

SURVIVOR STOP SWITCHES		
Adams part no.	Action to STOP	Contacts
AS459A1	Push	2NC 1NO
AS459A2	Pull	2NC 1NO
AS459A5	Pull	1NC 2NO
AS459A7	Push	1NC 2NO
AS459A9	Pull to hold door	1NC 2NO

CLASSIC™ EMERGENCY STOP SWITCHES

Push/Pull STOP switches all have 1/8"-high and 1 1/2" diameter halos.

CLASSIC STOP SWITCHES		
Adams part no.	Action to STOP	Contacts
AS459A3	Push	2NC 1NO
AS459A4	Pull	2NC 1NO
AS459A6	Pull	1NC 2NO
AS459A8	Push	1NC 2NO



DESIGNER EMERGENCY STOP SWITCHES (SQUARE HALO)			
Adams part no.	Action to STOP	Contacts	w/Braille pocket
A471A5	Pull	2NC-1NO	Yes
A471A6	Pull	2NC-1NO	No
AS459A13	Push to hold door	2NO-1NC	No
A471A7	Push to hold door	2NO-1NC	Yes

HOMELIFT EMERGENCY STOP SWITCHES			
Adams part no.	Action to STOP	Contacts	w/Braille pocket
AS459A11	Pull	2NO	No

All "push-to-stop" switches include button guard to prevent accidental activation

Adams Keyswitches

SURVIVOR[®], DESIGNER[™], CLASSIC[™] AND SURVIVOR/PLUS[®]



All Adams keyswitches use our Survivor base and are built with tough Lexan[®] housings. Choose from 2-, 3-, and 4-position configurations. 2-position switches are rated B300, Q300. All locks are 5-disk tumbler type.

Key movement is 12:00/3:00 for 2-pull models; 9:00/12:00/3:00 for 3-pull models; and 6:00/9:00/12:00/3:00 for 4-pull keyswitches.

Keyswitches are available in 1/8" or 1/4" high halos. Order a complete assembly, halo only, base only, keyswitch only, or replacement key. Keyswitches can also be ordered in bronze or stainless cylinders. Keyswitches come with 2-, 4-, or 6-contact bases.

Order the switch and halo style from the table on the next page. For a switch not listed, please call Adams part sales.

NOTE: All keyswitches listed have 1/8"-high halos. Call for 1/4"-high halos (necessary for swing return stations).

HOW TO ORDER ADAMS KEYSWITCHES

Using Tables on Next 2 Pages

1. Choose the function and halo legend that matches the service configuration you need.
2. Select halo style you need: Survivor, Designer, Classic, or Survivor/PLUS.
3. For complete keyswitch assembly: Order "Switch only" and the halo you need from the appropriate "halo only" style column. [For a complete **Survivor** keyswitch, order from "Complete keyswitch" column; complete keyswitch includes a Survivor-style halo.]
4. **Stainless or bronze:** Complete keyswitch part numbers listed are for stainless. To order bronze switches, substitute a "J" for the "K" in the complete-keyswitch part number. For example, for a bronze **Survivor** assembly of keyswitch number **AS468K01** Fire Service, you would order complete-keyswitch part number **AS468J01**. [To order same switch with a **Classic** halo, order **AS468A101** (switch only) **PLUS AS480B319** (Classic halo only) for stainless; use switch-only part no. **AS468B101** for bronze.]
5. **Length of Base:** 2 contacts 1.875" deep, 4 contacts 2.375" deep, 6 contacts 3.000" deep.

BLANK KEYSWITCH HALOS:

- A450H4B, Survivor, black 1/8" H
- A450H4R, Survivor, red 1/8" H
- AS472-12B, Designer, black 1/8" H
- AS472-12R, Designer, red 1/8" H

DOOR HOLD TOGGLES & PHONE JACKS

- AS461-40. Survivor Door Hold Toggle Switch
- AS461-50. Designer Door Hold Toggle Switch
- AS461-60. Double Designer Door Hold Toggle Switch (Braille Tag not included)
- ASA452-PJ. Survivor Phone Jack Assembly
- ASA472-PJ. Designer Phone Jack Assembly
- ASA480-PJ. Classic Phone Jack Assembly



KEYSWITCH ORDERING INFORMATION FOR ALL ADAMS BUTTON STYLES

FUNCTION	Halo designations/locations						Keypulls					SURVIVOR® part no.			DESIGNER™ halo only*	CLASSIC™ halo only*	SURVIVOR/PLUS® halo only*	Key only	Key code	Base contacts	Config.
	12:00	3:00	6:00	9:00	12:00	3:00	6:00	9:00	Complete keyswitch	Switch only	Halo only*	AS468K06	AS468K07	AS468A115							
CAR CALL	OFF	ON	UP DOWN	DOWN	X	M	-	-	AS468K06	AS468A115	A449B113	AS468K07	AS468A115	A449B114	HBD0113W	AS480B313	A448B113	Custom	MAxxx	4	DPDT
FIRE SERVICE (HALL) PHASE I	OFF	ON	CALL UP DOWN	DOWN	X	M	-	-	AS468K15	AS468A113	A449B113	AS468K16	AS468A205	A449B117	HBD0117W	AS480B317	A448B117	Custom	MAxxx	4	SPDT
FIRE SERVICE (HALL) PHASE II	OFF	ON	UP	DOWN	X	M	-	-	AS468K18	AS468A113	A449B114	AS468K18	AS468A305	A449B117	HBD0117W	AS480B318	A448B118	Custom	MAxxx	4	SPDT
2000 CODE (optional Halo)	OFF	ON	FIRE SERVICE	BYPASS	X	X	0	0	AS468K09	AS468A101	A449R181	AS468K10	AS468A101	A449R181	HBD0181R	AS480R381	A448R181	AKC0054A	WD01	4	SP3T
2000 CODE FIRE CONTROL PANEL	OFF	ON	FIRE RECALL	BYPASS	X	X	0	0	AS468K14	AS468A202	A449R181	AS468K14	AS468A202	A449R181	HBD0181R	AS480R389	A448R189	AKC0054A	WD01	4	SP3T
FIRE SERVICE (CAR) PHASE I	OFF	ON	FIRE SERVICE	BYPASS	X	X	0	0	AS468K29	AS468A123	A449R186	AS468K29	AS468A123	A449R186	HBD0186R	AS480R386	A448R186	AKC0054A	WD01	4	SP3T
FIRE SERVICE (CAR) PHASE II	OFF	ON	FIRE RECALL	BYPASS	X	X	0	0	AS469K10	AS469A02	A449R187	AS469K10	AS469A02	A449R187	HBD0182R	AS480R387	A448R187	H341	WD01	6	SP3T
2000 CODE (optional Halo)	OFF	ON	FIRE OPERATION	RESET	X	X	0	0	AS469K20	AS469A02	A449R187	AS469K20	AS469A02	A449R187	HBD0187R	AS480R382	A448R182	AKC0054A	WD01	2	SPDT
FAN	HOLD	ON	FAN OPERATION	RESET	X	X	0	0	AS468K32	AS468A149	HRR0190	AS468K32	AS468A149	HRR0190	HBD0190R	AS480R386	A448R186	AKC0054A	WD01	4	SP3T
FAN/LIGHT	HOLD	ON	FAN	OFF	X	X	-	-	AS469K12	AS469A05A	A449B109	AS469K12	AS469A05A	A449B109	HBD0109W	AS480B309	A448B109	MM101	MM101	2	SPDT
PHOTO EYE	HOLD	ON	LOW	OFF	X	X	-	-	AS468K21	AS468A207	A449B123	AS468K21	AS468A207	A449B123	HBD0123W	AS480B323	A448B123	MM101	MM101	4	SPDT
MOTOR/GENERATOR	HOLD	ON	FAN	OFF	X	X	-	-	AS468K02	AS468A104	A449B110	AS468K02	AS468A104	A449B110	HBD0110W	AS480B310	A448B110	MM101	MM101	4	SPDT
	HOLD	ON	LOW	OFF	X	X	-	-	AS468K03	AS468A104	A449B112	AS468K03	AS468A104	A449B112	HBD0112W	AS480B312	A448B112	MM101	MM101	4	SPDT
	HOLD	ON	FAN/LIGHT	OFF	X	X	-	-	AS468K20	AS468A207	A449B122	AS468K20	AS468A207	A449B122	HBD0122W	AS480B322	A448B122	MM101	MM101	4	SPDT
	HOLD	ON	PHOTO EYE	OFF	X	X	-	-	AS469K10	AS469A05A	A449B111	AS469K10	AS469A05A	A449B111	HBD0111W	AS480B311	A448B111	MM101	MM101	2	SPST
	HOLD	ON	TOP EYE	OFF	X	X	-	-	AS469K07	AS469A05	A449B104	AS469K07	AS469A05	A449B104	HBD0104W	AS480B304	A448B104	MM101	MM101	2	SPDT
	HOLD	ON	BOTTOM EYE	OFF	X	X	-	-	AS469K08	AS469A05	A449B105	AS469K08	AS469A05	A449B105	HBD0105W	AS480B305	A448B105	MM101	MM101	2	SPDT
	HOLD	ON	M/G	OFF	X	X	-	-	AS469K09	AS469A05	A449B106	AS469K09	AS469A05	A449B106	HBD0106W	AS480B306	A448B106	MM101	MM101	2	SPDT
	HOLD	ON	M/G	OFF	X	X	-	-	AS469K15	AS469A05	A449B105	AS469K15	AS469A05	A449B105	HBD0105W	AS480B305	A448B105	MM101	MM101	2	SPDT
	HOLD	ON	START	OFF	X	M	-	-	AS468K19	AS468A111	A449B121	AS468K19	AS468A111	A449B121	HBD0121W	AS480B321	A448B121	MM101	MM101	6	SPDT
	HOLD	ON	STOP	START	X	M	-	-	AS468K10	AS468A212	A449B102	AS468K10	AS468A212	A449B102	HBD0102W	AS480B302	A448B102	MM101	MM101	4	SPDT

FE0K1 KEY - FIRE 2000 CODE

		Keyswitch			Key Pulls		
Fire Service	Part No	Contacts	Key Type	Key Part No	10	12	2
Phase I	AS469K30	1NO/1NC	Barrell	HA-1065-Z3	-	X	X
Phase II	AS469K31	1NO/1NC	Barrell	HA-1065-Z3	X	X	-

Note:
Switch Base comes wired with 5 - 23" wires
Each switch comes with 2 keys
Choose Halo from the Styles in the chart above

HOMELIFT KEYSWITCH HALOS

HBH0188	RUN/STOP
HBH018W	ON/OFF
HBH0115	ACCESS
HBH0119	CALL OFF/ON
AS470-12B	BLANK
Homelift Adaptor AKC0018	

*Separate contacts

KEYPULLS LEGEND:

X = Keypull at that location M = Momentary contact/ spring return
O = No keypull
— = No function

KEYSWITCH ORDERING INFORMATION FOR ALL ADAMS BUTTON STYLES

FUNCTION	Halo designations/locations								SURVIVOR® part no.			DESIGNER™ halo only*	CLASSIC™ halo only*	SURVIVOR/ PLUS® halo only*	Key only	Key code	Base contacts	Config.
	12:00		3:00		6:00		9:00		Complete keyswitch	Switch only	Halo only*							
	OFF	ON	OFF	ON	OFF	ON	OFF	ON										
OFF/ON	OFF	ON	OFF	ON	OFF	ON	OFF	ON	AS468K22	AS468A109	A449B118	HBD0118W	AS480B318	A448B118	AKC-0051	MM101	4	DPDT
	OFF	ON	OFF	ON	OFF	ON	OFF	ON	AS468K23	AS468A209	A449B118	HBD0118W			AKC-0051	MM101	4	DPDT
EMERGENCY	OFF	ON	OFF	ON	OFF	ON	OFF	ON	AS469K02	AS469A07	A449R184	HBD0184R	AS480R384	A448R184	AKC0052A	AE102	2	SPDT
	OFF	ON	OFF	ON	OFF	ON	OFF	ON	AS469K16	AS469A05	A449R183	HBD0183R	AS480R383	A448R183	AKC0051	MM101	2	SPDT
	RUN	STOP	RUN	STOP	RUN	STOP	RUN	STOP	AS469K21	AS469A04C	A449R188	HBD0188R	AS480R388	A448R188 (Blk)	AKC0052A	AE102	2	DPST
	RUN	STOP	RUN	STOP	RUN	STOP	RUN	STOP	AS468K26	AS468A409	A449R188	HBD0188R			AKC0052A	AE102	4	DPDT
	OFF	ON	OFF	ON	OFF	ON	OFF	ON	AS468K28	AS468A113	HBR0150	HBD0150			AKC0052A	AE102	4	DPDT
	RUN	STOP	RUN	STOP	RUN	STOP	RUN	STOP	AS468K31					AS458-10*	AKC0052A	AE102	4	—
SERVICE	OFF	ON	OFF	ON	OFF	ON	OFF	ON	AS469K03	AS469A07	A449R185	HBD0185R	AS480R385	A448R185	AKC0052A	AE102	2	SPDT
	OFF	ON	OFF	ON	OFF	ON	OFF	ON	AS469K05	AS469A05	A449B103	HBD0103W	AS480B303	A448B103	AKC0051	MM101	2	SPDT
	OFF	ON	OFF	ON	OFF	ON	OFF	ON	AS469K06	AS469A05	A449B107	HBD0107W	AS480B307	A448B107	AKC0051	MM101	2	SPDT
ACCESS		UP	ACCESS	DOWN	DOWN	DOWN	DOWN	DOWN	AS468K04	AS468A103	A449B115	HBD0115W	AS480B315	A448B115	AKC0053	GG101	6	*
	OFF	UP	ACCESS	DOWN	DOWN	DOWN	DOWN	DOWN	AS468K12	AS468A114	A449B115	HBD0115W			AKC0053	GG101	4	*
	OFF	ON	ACCESS	DOWN	DOWN	DOWN	DOWN	DOWN	AS469K22	AS469A04	A449B128	HBD0128W	AS480B328	A448B128	AKC0053	GG101	2	SPDT
INSPECTION	OFF	ON	OFF	ON	OFF	ON	OFF	ON	AS468K42**	AS468A150	HBR0115				AKC0053	GG101	6	SPDT
	OFF	ON	OFF	ON	OFF	ON	OFF	ON	AS469K13	AS469A04	A449B116	HBD0116W	AS480B316	A448B116	AKC0053	GG101	2	SPDT
FLOOR DISCONNECT	OFF	ON	OFF	ON	OFF	ON	OFF	ON	AS469K17	AS469A15	A449B118	HBD0118W			AKC0052A	AE102	2	SPDT
	OFF	ON	OFF	ON	OFF	ON	OFF	ON	AS469K18	AS469A13	A449B118	HBD0118W			(Unique)	MAxxx	2	SPDT
LIGHT	OFF	ON	OFF	ON	OFF	ON	OFF	ON	AS469K19	AS469A05	A449B118	HBD0118W			AKC0051	MM101	2	SPDT
	OFF	ON	OFF	ON	OFF	ON	OFF	ON	AS469K11	AS469A05A	A449B108	HBD0108W	AS480B308	A448B108	AKC0051	MM101	2	SPST

*Separate contacts

**For TKE Controller TAC50

KEYSWITCH ASSEMBLIES, BRONZE		
Adams part no.	Description	Yale part no.
AKS2642P1	2PDT	Y-2642 [hall]
AKS2642P2	2P3T	Y-2642 [car]
AKS3502P1	2P3T	Y-3502 [hall]
AKS3502P2	3P3T	Y-3502 [car]
AKC0023B8	Alternate hall fire service, 2-position	MA

KEYSWITCH ASSEMBLIES, STAINLESS		
Adams part no.	Description	
AKC0072S	"Bypass," horizontal, hall; BFD1	CT
AKC0073S	"Hold," horizontal, car; BFD1	CT
AKC0074S	"Bypass," horizontal; BFD1, IL#341 key	

YALE PHONE JACK HALOS	
Adams part no.	Description
AKC0066A-5	Fireman's phone jack halo, 1/8"
AKC0066B-5	Fireman's phone jack halo, 1/4"

Survivor Style

Cantilever Keyswitch Adaptor & Halos



2 Contact Base 1.875" deep
 4 Contact Base 2.375" deep
 6 Contact Base 3.000" deep
 NOTE: Halo for code blue HBR0150 - Blue Halo
 Survivor Style HBR0190 - Red Halo

RUN/STOP vandal-resistant halos:

A448R188 = black halo
 A448R190 = red halo
 AS458-10 = #4 stainless, engraved w/red fill; fits into coiled pocket

Replacements are available for our new cantilever-style keyswitch halos and adaptor.
 Order adaptor no. AS450-23K and halo no. A471H2 for a Designer keyswitch.
 Order adaptor no. AS450-23K and halo no. AS480-12B for a Classic keyswitch.

CANTILEVER KEYSWITCH ADAPTOR	
Adams part no.	Description
AS450-23K	Cantilever adaptor for Adams keyswitch
A471H2	Cantilever halo for Designer keyswitch
AS480-12B	Cantilever halo for Classic keyswitch

Rocker Switches

Service Cabinet Rocker Switches with legend are all DPDT except A459B37. Dimensions are 1.125" w x 1.75" h

Note: All functions designated (ON) are Momentary.

ROCKER SWITCHES (ON) = MOMENTARY			
Adams part no.	Position 1	Position 2	Function
A459B10	—	UP	ON-(ON)
A459B11	—	DOWN	ON-(ON)
A459B12	—	START	ON-(ON)
A459B13	ON	HOSPITAL SERVICE	ON-ON
A459B14	ON	TRAFFIC SENTINAL	ON-ON
A459B15	ON	PHOTO EYE	ON-ON
A459B16	ON	SAFETY RAY SWITCH	ON-ON
A459B17	ON	RAY CUT-OUT	ON-ON
A459B18	ON	TOP EYE	ON-ON
A459B19	ON	BOTTOM EYE	ON-ON
A459B20	ON	FRONT	ON-ON
A459B21	ON	POWER	ON-ON
A459B22	ON	MOTOR/GENERATOR	ON-ON
A459B25	ON	HAND SWITCH	ON-ON
A459B26	RUN	INSPECTION	ON-ON
A459B27	ON	SERVICE	ON-ON
A459B28	ON	IN SERVICE	ON-ON
A459B29	ON	EMERGENCY	ON-ON
A459B30	AUTO	INDEPENDANT	ON-ON
A459B31	ON	INCONSPICUOUS RISER	ON-ON
A459B32	ON	AUXILIARY	ON-ON
A459B33	ON	REAR ENTRANCE	ON-ON
A459B34	ON	ATTENDANT	ON-ON
A459B35	ON	LIGHT	ON-ON
A459B36	ON	FAN	ON-ON
A459B37	FAN HIGH	FAN LOW	ON-ON-ON
A459B38	ON	HOSPITAL E/R	ON-ON
A459B39	ON	NON-STOP	ON-(ON)
A459B40A	ON	OFF (maintained)	ON-ON
A459B40B	ON	OFF (momentary)	ON-(ON)
A459B42	ON	CONTROLLER	ON-(ON)
A459B43	ON	E/R LIGHT TEST	ON-(ON)
A459B44	ON	PASS	ON-(ON)
A459B45	ON	WORK LIGHT	ON-ON
A459B46	ON	Access (maintained)	RUN-STOP
A459B47	RUN	STOP	ON-ON
A459-01	Blank, halo only		
335200-1	Rocker Plug		



A459B35



AKC0071S



AKC0071B

SERVICE CABINET LOCKS	
Adams part no.	Description
AKC0071B	Service cabinet lock assembly, bronze
AKC0071S	Service cabinet lock assembly, stainless steel
AKC0052A	Key for cabinet lock keyed AE102
AKC0071S-WD01	Service cabinet lock assembly with WD01 key

Replacements for EPCO Keyswitches

Single-pole, single-throw (SPST) replacements for EPCO No. 1 and No. 2 keyswitches mount in 5/8" x 3/4" double-D knockouts. Key is removable in ON and OFF positions except for Momentary.

Replacement keys are also available.

A468S1. SPST keyswitch with key replaces EPCO No. 1 switch.

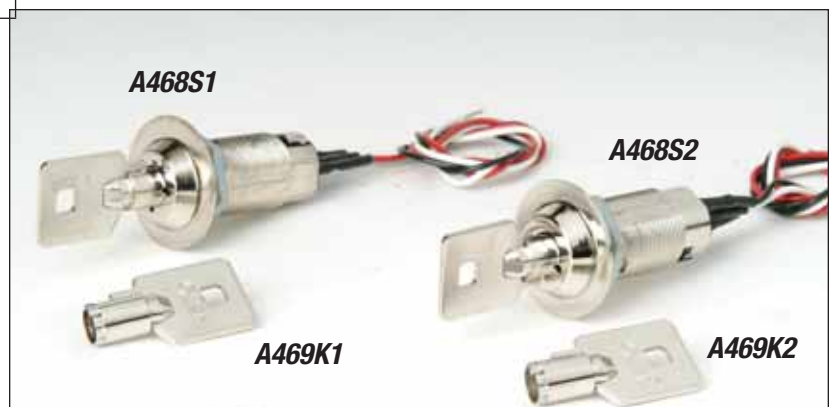
A468S1M. Same as above, momentary contact

A468S2. SPST keyswitch with key replaces EPCO No. 2 switch.

A468S2M. Same as above, momentary contact.

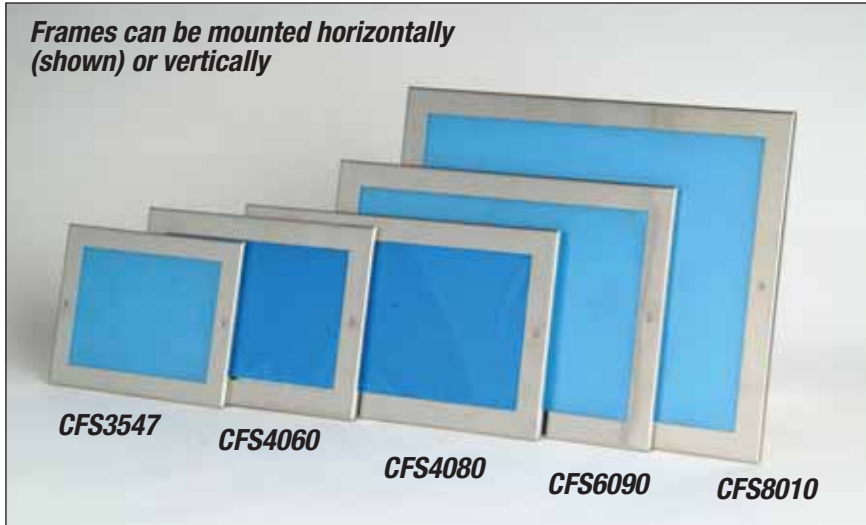
A469K1. Replacement key for A468S1 (EPCO 1).

A469K2. Replacement key for A468S2 (EPCO 2).



Certificate Frames

These are 20-gauge stainless steel frames with durable Plexiglas™ windows. Can be mounted for horizontal or vertical configuration. Choose from five commonly-used sizes.



CERTIFICATE FRAMES		
Adams part no.	Frame dimensions	Window dimensions
CFS3547	5 ²³ / ₃₂ " x 4 ¹⁵ / ₃₂ "	4 ³ / ₄ " x 3 ¹ / ₂ "
CFS4060	7 ¹⁵ / ₃₂ " x 5 ¹⁵ / ₃₂ "	6" x 4"
CFS4080	9 ¹⁵ / ₃₂ " x 5 ¹⁵ / ₃₂ "	8" x 4"
CFS6090	10" x 7"	9" x 6"
CFS8010	11 ¹⁵ / ₃₂ " x 9 ¹⁵ / ₃₂ "	10" x 8"

CFS4060-24 Allen wrench hex key for disassembling and reassembling frames when inserting inspection or other documents



Emergency Door Key Box

This "break-the-glass" box also holds standard elevator door keys. Front panel measures 12⁷/₈"H x 4¹/₂"W; cut-out dimensions are 9¹/₈"H x 3⁵/₈"W. Box is 1³/₈" deep; glass is imprinted with emergency message.

A921B. Emergency door key box with glass.

A921BG. Replacement for glass panel only; 2¹/₂"W x 5¹/₂"H.

Fireman's Key Boxes

Choose stainless or bronze doors with 7-pin lock (tumbler type).

Heavy-duty box is fitted with hooks for up to eight keys. Bright red enameled base measures 6³/₁₆"W x 8¹/₄"H x 1¹/₄" deep; hinged right only. Chrome-plated lock provided with choice of stainless or bronze door.

KEY BOX ORDERING INFORMATION			
Adams part no.	Door finish	Lock type	Key
A920A1	Stainless	Uses City of Chicago key	Gamewell
A920B1	Bronze	Uses City of Chicago key	Gamewell
A920A2	Stainless	Uses barrel key	7302
A920B2	Bronze	Uses barrel key	7302
A920-02	—	Flat key for A920A1 and B1 only	25460
A920-11	Stainless	Barrell Lock w/2 Keys	7302
A920-11K	—	Keys only for A920-11	7302





CAPACITY PLATES w/NO SMOKING

Simulated brushed stainless and bronze-tone plates are made of durable plastic. Black characters are engraved on metal-like face.

CAPACITY PLATES		
4" w x 2" h - Adhesive Backing		
Capacity (lbs.)	Stainless	Bronze
500	ACP105S	
1200	ACPC1200	
1250	ACP025S	
1500	ACP115S	ACP115B
2000	ACP120S	ACP120B
2500	ACP125S	ACP125B
3000	ACP130S	ACP130B
3500	ACP135S	ACP135B
4000	ACP140S	ACP140B
6000	ACP160S	
10,000	ACP1100S	
No Smoking	ACP20NS	ACP20NB

ACP120S



A559



CAUTION SIGNS

Adams part no.	Dimensions	Material(s)	Colors	
			Text	Background
A551	10" x 7 1/4"	Metal w/4 grommets	Black	Yellow
A553	10" x 7"	Metal w/4 grommets	Black, red	White
A554	10" x 7"	Metal w/4 grommets	Black, red	White
A555	14" x 10"	Metal w/4 grommets	Black, blue	White
A556	14" x 10"	Metal w/4 grommets	Black, blue	White
A557	14" x 10"	Metal w/4 grommets	Black, blue	White
A558A	4" x 7 3/4"	Metal w/self-adhesive tape strips	Black, white	Yellow
A556A	10" x 7"	Lexan w/self-adhesive backing	Gray/Black	Black/Gray
A556B	10" x 7"	Lexan w/self-adhesive backing	Gray/Black	Black/Gray
A558B	4 1/4" x 9"	Lexan w/self-adhesive backing	Black/White	White/Red
A558C	4" x 7 3/4"	Lexan w/self-adhesive backing	Black	Yellow
A558D	4 1/2" x 9 3/4"	Lexan w/self-adhesive backing	Black	Yellow
A558E	4 1/4" x 9"	Lexan w/self-adhesive backing	Black	Yellow
A552H	4 1/4" x 9"	Lexan w/self-adhesive backing	Black	Yellow
A559P	3 1/2" x 3 1/2"	Plastic, engraved	Dark blue	White
A559V	3 1/2" x 3 1/2"	Vandal resistant, screened onto metal	Dark blue	Stainless
A559	4" x 6"	"Out of Service" Post-IT™ note pad, 50 sheets per pad; red ink on white paper	Red	White

"Out of Service" contain 20 pads per package

A559P



A558E

A558C



A558D

A558A



A558B

Code	Part No.	Description	Material	Mounting	Size	Text
Pre-1996	A552B	PHASE I Firefighter's Operation	Aluminum	Adhesive	3 7/8" x 1 1/8"	Black/White
Pre-1996	A552B2	PHASE I Firefighter's Operation	Aluminum	Adhesive	6" x 6"	Black/Red
Pre-1996	A552C	PHASE II Firefighter's Operation	Aluminum	Adhesive	5 7/8" x 4 1/2"	Black/White
Pre-1996	A552B3	PHASE II Firefighter's Operation	Aluminum	Adhesive	6" x 6"	Black/Red
1996	A558B96	PHASE II Firefighter's Operation	Bronze #4	Adhesive	6" x 6"	Red
1996	A558P96	PHASE II Firefighter's Operation	Plastic	Adhesive	6" x 6"	Red
1996	A558S96	PHASE II Firefighter's Operation	SS#4	Adhesive	6" x 6"	Red
1996	A559B96	PHASE II Firefighter's Operation	Bronze #4	Adhesive	6 1/4" x 6 1/4"	Red
1996	A559S96	PHASE II Firefighter's Operation	SS#4	Adhesive	6 1/4" x 6 1/4"	Red
1998	A558B98	PHASE II Firefighter's Operation	Bronze #4	Adhesive	6" x 6"	Black
1998	A558P98	PHASE II Firefighter's Operation	Plastic	Adhesive	6" x 6"	Black
1998	A558S98	PHASE II Firefighter's Operation	SS#4	Adhesive	6" x 6"	Black
1998	A559B98	PHASE II Firefighter's Operation	Bronze #4	Adhesive	6 1/4" x 6 1/4"	Black
1998	A559S98	PHASE II Firefighter's Operation	SS#4	Adhesive	6 1/4" x 6 1/4"	Black
2000	A558B20	PHASE II Firefighter's Operation	Bronze #4	Adhesive	6" x 6"	Red
2000	A558P20	PHASE II Firefighter's Operation	Plastic	Adhesive	6" x 6"	Red
2000	A558S20	PHASE II Firefighter's Operation	SS#4	Adhesive	6" x 6"	Red
2000	A559B20	PHASE II Firefighter's Operation	Bronze #4	Adhesive	6 1/4" x 6 1/4"	Red
2000	A559S20	PHASE II Firefighter's Operation	SS#4	Adhesive	6 1/4" x 6 1/4"	Red
	HA-2-C10	PHASE I Firefighter's Operation	Plastic	Adhesive	6" X 6"	Red/White
	HA-2-CC1	PHASE I Firefighter's Operation w/Reset	Plastic	Adhesive	6" X 6"	Red/White

Code	Part No.	Description	Material	Mounting	Size	Text
2000	A559AB20	Appendix H	Bronze #4	Adhesive	5" x 8"	Black
2000	A559AP20	Appendix H	Plastic	Adhesive	5" x 8"	Black
2000	A559AS20	Appendix H	SS#4	Adhesive	5" x 8"	Black
2000	ACV007B	Appendix H	Bronze #4	Adhesive	5 1/4" x 9 3/4"	Black
2000	ACV007S	Appendix H	SS#4	Adhesive	5 1/4" x 9 3/4"	Black
2000	A552A	Appendix H	Plastic	Adhesive	5" x 8"	Black
2000	A559BC20	Appendix H California Code	Bronze #4	Adhesive	5" x 8"	Black
2000	A559PC20	Appendix H California Code	Plastic	Adhesive	5" x 8"	Black
2000	A559SC20	Appendix H California Code	SS#4	Adhesive	5" x 8"	Black

Code	Part No.	Description	Material	Mounting	Size	Text
	A552	In Case of Fire Use the Stairs	Aluminum	Adhesive	12" x 4"	Black



More photos on page 116.

