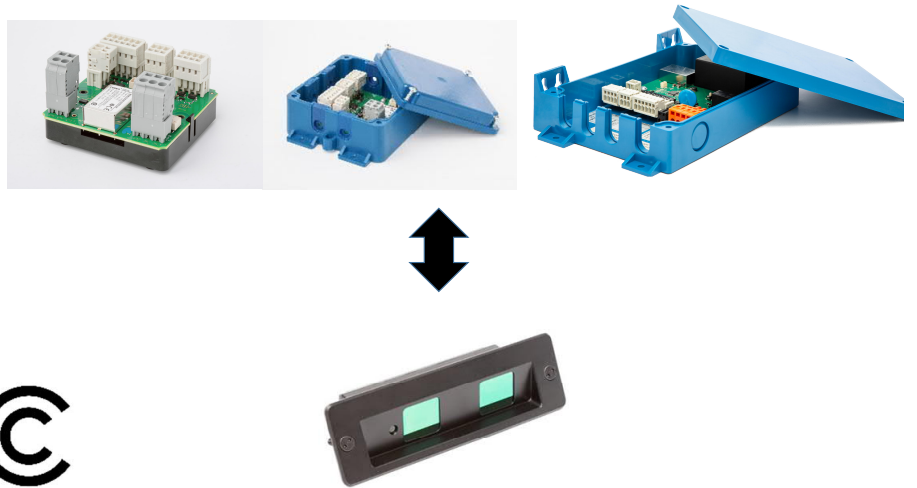


CabSafe 3D Sensors & Controllers

Installation and Operation Manual



CEDES AG is certified according to ISO 9001: 2015

English

Pages

2 - 34

Contents

1 About this manual	2
1.1 Measurements	2
1.2 Related documents	2
1.3 CEDES headquarters	2
2 Safety information	3
2.1 Non-intended use.....	3
2.2 Intended use	3
3 Symbols, safety messages	3
3.1 Symbols	3
3.2 Safety message category	3
4 Introduction CabSafe System	4
4.1 CabSafe System Overview	4
4.2 General Operation	5
5 CabSafe Controller	5
5.1 Overview	5
5.2 Features	6
5.3 Software versions	6
5.4 Safety Instructions	6
5.5 System integration	6
5.6 Mechanical installation.....	6
5.7 Electrical connections	7
5.8 Door position signal	9
5.9 Functional selection DIP switches	9
5.9.1 Settings for the 3D sensor mounting position	9
5.9.2 Settings for the door position detection	9
5.9.3 Settings for the door opening height:.....	9
5.9.4 Settings for the 2D versus 3D Active:.....	10
5.9.5 Output logic selector.....	10
5.9.6 Operation frequency selector.....	10
5.10 Buzzer.....	10
5.11 Timing diagram	10
5.12 Controller output	11
5.13 Controller output logic.....	11
5.14 Startup CabSafe Controller.....	12
5.15 LED status description	12
5.16 Trouble Shooting.....	13
5.17 Product label	13
5.17.1 Product label Controller 100 PCB.....	13
5.17.2 Product label Controller 100 Box.....	14
5.17.3 Product label Controller 200 Box.....	14
5.18 Maintenance.....	14
5.19 Type description CabSafe Controller	14
5.20 Delivery package	14
5.21 Accessory magnet switch	14
5.22 Technical data CabSafe Controller	16
5.22.1 Mechanical	16
5.22.2 Environmental.....	17
5.22.3 Operation characteristics.....	17
5.22.4 Connectors	17
5.22.5 General.....	18
5.23 Dimensions CabSafe Controller.....	19
5.23.1 Dimensions Controller 100 PCB carrier.....	19
5.23.2 Dimensions Controller 100 Box	19
5.23.3 Dimensions Controller 200 Box	20
6 CabSafe 3D sensors	21
6.1 Overview CabSafe 3D sensor.....	21
6.2 Features of the CabSafe 3D sensor:	21
6.3 Type description CabSafe 3D sensor kit.....	21
6.4 Safety information	21
6.4.1 Non-intended use	21
6.4.2 Hazards of laser radiation	21
6.5 Installation CabSafe 3D sensor	22
6.5.1 Field of application	22
6.5.1.1 Elevator door widths and heights.....	22
6.5.1.2 Glass door elevators.....	23
6.5.2 Mechanical installation	24
6.5.3 Mounting position	24
6.5.3.1 Center opening door.....	24
6.5.3.2 Side opening door (left or right):.....	24
6.5.3.3 Mounting distance to the door	24
6.5.4 Mounting brackets.....	25
6.5.4.1 Dimensions flush mounting bracket.....	26
6.5.4.2 Cut out for flush mounting.....	26
6.5.4.3 Mounting plate kit.....	26
6.5.4.4 Back transom mounting.....	27
6.6 Electrical connection CabSafe 3D	28
6.7 Field of view	28
6.8 Timing diagram.....	30
6.9 Start-up CabSafe 3D.....	31
6.10 LED status description	31
6.11 Troubleshooting	31
6.12 Maintenance.....	31
6.13 Product label	32
6.14 Technical Data CabSafe 3D sensor	32
6.14.1 Mechanical	32
6.14.2 Environmental	33
6.14.3 Operation characteristics.....	33
6.14.4 Connection cable and connectors	33
6.14.5 General	33
6.15 Dimensions CabSafe 3D sensor.....	34
7 Disposal	34

1 About this manual

This installation and operation manual in English, with metric measurements is the **original version**.

The version number is printed at the bottom of each page. To make sure you have the latest version, check the product page on www.cedes.com.

1.1 Measurements

Measurements are, if not stated otherwise, given in mm (non-bracketed numbers) and imperial dimensions (numbers in brackets).

1.2 Related documents

116 101 CE confirmation
116 106 Operating manual cegard/Pro CabSafe 2D Light Curtain

1.3 CEDES headquarters

CEDES AG
Science Park
CH-7302 Landquart
Switzerland

2 Safety information

IMPORTANT READ BEFORE INSTALLATION!

The CabSafe system was developed and manufactured using state-of-the-art systems and technologies. However, injury and damage to the sensor can still occur.

To ensure safe conditions:

- ▶ Read all enclosed instructions and information.
- ▶ Follow the instructions given in this manual carefully.
- ▶ Observe all warnings included in the documentation and attached to the sensor.
- ▶ Do not use the sensor if it is damaged in any way.
- ▶ Keep the instruction manual on site.

The CabSafe system should only be installed by authorized and fully trained personnel! The installer or system integrator is fully responsible for the safe integration of the sensor. It is the sole responsibility of the planner and/or installer and/or buyer to ensure that this product is used according to all applicable standards, laws and regulations in order to ensure safe operation of the whole application.

Any alterations to the device by the buyer, installer or user may result in unsafe operating conditions. CEDES is not responsible for any liability or warranty claim that results from such manipulation.

Failure to follow instructions given in this manual and/or other documents related to the CabSafe system may cause customer complaints, serious call backs, damage, injury or death.

2.1 Non-intended use

The CabSafe system must not be used for:

- Protection of dangerous machine such as presses
- Equipment in explosive atmospheres
- Equipment in radioactive environments
- Outside the specified environments



Figure 1: Non-intended use

Use only specific and approved safety devices for such applications, otherwise serious injury or death or damage to property may occur!

2.2 Intended use

The CabSafe 3D Time-of-Flight (TOF) sensor, the ce-gard/Pro (CabSafe 2D) light curtain, and the CabSafe

Controller are the components that make up a CabSafe system. The CabSafe system is intended to safeguard automatic doors in elevator applications where it detects persons or objects approaching the elevator door as well as persons or objects standing between the elevator doors. All other applications must be approved by CEDES.

3 Symbols, safety messages

3.1 Symbols

Symbol	Meaning
▶	Single instruction or measures in no particular order
1. 2. 3.	Sequenced instructions
•	List, in no order of importance
➔	Reference to a chapter, illustration or table within this document
Important	Important information for the correct use of the sensor

3.2 Safety message category

Warning of serious health risks



Highlights critical information for the safe use of the sensor. Disregarding these warnings can result in serious injury or death.

- ▶ Follow the measures highlighted by the triangle-shaped arrows
- ▶ Consult the safety information in Chapter 2 of this manual

Caution of possible health risk



Highlights critical information for the safe use of the sensor. Disregarding these warnings can result in injury.

- ▶ Follow the measures highlighted by the triangle-shaped arrows
- ▶ Consult the safety information in Chapter 2 of this manual

Notice of damage risk

CAUTION

Possible health risks

Disregarding these notices can lead to damage to the sensor, the door controller and/or other devices.

- ▶ Follow the measures highlighted by the triangle-shaped arrows

4 Introduction CabSafe System

The CabSafe System provides a complete elevator door protection solution that complies with ASME A17.1-2019 / CSA B44:19 Safety Code for Elevators and Escalators when installed in compliance with these operating instructions. The CabSafe System consists of:

- A CabSafe Controller
- A cegard/Pro Light Curtain (hereafter referred to as the CabSafe 2D) to detect persons or objects between the elevator doors; and
- A CabSafe 3D Time-of-Flight Sensor to detect persons or object approaching the elevator entrance.

The CabSafe system is designed for and can be used in center-opening as well as left- or right-side opening elevator door applications. It is suitable for both dynamic and static light curtain installations.

The CabSafe Controller:

- Performs continuous testing of the CabSafe 2D and CabSafe 3D sensor
- Logically combines the signals from the CabSafe sensors into one output to elevator control
- Manages configuration parameters for the CabSafe system.

This document contains the technical specifications of the CabSafe 3D sensors and the CabSafe Controllers and their installation procedure. The technical specification of the CabSafe 2D light curtain is provided in the separate CEDES user manual 116 106.

The CabSafe Controller tests the function as well as detects the signals from the entrance area sensor and the light curtain together. Depending on an internal sequencing, the CabSafe Controller either holds the door open, allows it to reverse or allows it to close.

The comfort of the CabSafe system improves due to contactless detection of approaching persons with a simultaneous increase in the availability of the cabin. The CabSafe 3D detection field is automatically adjusted during movement of the door(s). When installed correctly, the CabSafe 3D sensor is rendered inoperative 450 mm (17.72 in.) before full door closure based on the

- the CabSafe 2D light curtain (only for dynamic installations);
- a door position signal from the door control; or
- a door position switch (e.g. magnetic or optical sensor)

The CabSafe system is designed and developed to fulfill the requirements of the ASME A17.1-2019 / CSA B44:19 and previous versions of the Elevator and Escalator Safety Code. For correct function, only system components described in this document and the cegard/Pro (CabSafe 2D) Installation and Operation Manual (see CEDES document 116 106) shall be used.

WARNING

Door protection systems, such as the CabSafe System, do not provide absolute safety for elevator passengers passing through the doorway. They cannot be used as failsafe devices of the door mechanism. This safety function must be provided by a fail-safe force and a kinetic energy limiter by the door drive.

4.1 CabSafe System Overview

Figure 2 shows the principal of the CabSafe System architecture. The CabSafe 2D transmitter (Tx), receiver (Rx) and the CabSafe 3D sensor are all connected to the CabSafe Controller.

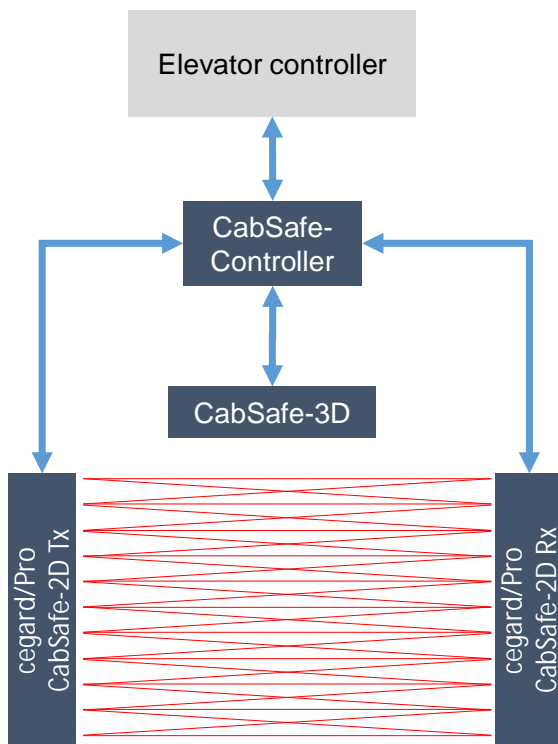


Figure 2: Principal CabSafe system architecture

The following chapters provide a description for following components:

CabSafe Controllers	Chapter 5
CabSafe 3D sensors	Chapter 6

For a description of the cegard/Pro (CabSafe 2D) light curtain, please refer to the cegard/Pro Installation and Operating Instructions: CEDES part number 116 106.

4.2 General Operation

The operating sequence of the CabSafe System begins with the opening of the elevator door(s). As this occurs, the CabSafe System is initialized by a signal from one of the following:

- the CabSafe 2D light curtain (dynamic installation only);
- the elevator control; or
- a door position sensor (e.g. a magnet switch or a fork type light barrier).

The CabSafe 3D detection field is calibrated within one second of the doors reaching their fully open position, and the opening also causes the CabSafe Controller to start monitoring the CabSafe 2D and CabSafe 3D sensors for the presence of persons or objects between the elevator doors or approaching the elevator doors. When a person or object is detected, the output will change state so that the door operator will reverse the doors or hold them in their open state.

A timer (3D-time in Figure 9) has been implemented in the CabSafe controller to minimize the effects of cross-traffic in the CabSafe 3D detection field. The timer starts when a person or object is detected approaching the elevator cab. If this timer expires before an infringement of the CabSafe 2D (i.e. person or object actually entered the elevator cab), objects in the CabSafe 3D detection field will be ignored. When an object is detected by the CabSafe 2D, this timer is reset. Originally this timer was defined with 20 sec and was changed to 5 sec in January 2021 (see also chapter 5.3).

The CabSafe 3D is rendered inoperative once the doors are less than 450 mm (17.72 in) apart. This distance is monitored based on a signal from one of the following:

- the CabSafe 2D light curtain (dynamic installation only);
- the elevator control; or
- a door position switch (e.g. a magnet switch or a fork type light barrier) .

After the doors have reached their fully-closed state, the sequence starts over.

5 CabSafe Controller

5.1 Overview

The CabSafe Controller is responsible for the communication with the individual components (CabSafe 2D light curtain and CabSafe 3D sensor). It provides a signal to the elevator control that indicates when the elevator door can be closed. The CabSafe Controller manages regular testing of the CabSafe components, including when the door has reached its fully open position. If a CabSafe component fails, the CabSafe Controller provides a signal to hold the door open and indicates a fault has occurred.

The CabSafe Controller is available either as:

- CabSafe 100 for low supply voltage range and
- CabSafe 200 for a wide supply voltage range

The CabSafe 100 Controller is available with either a:

- Push-Pull output; or a
- Relay output.

Additionally, each CabSafe 100 Controller output type is available as a:

- PCB mounted on a PCB carrier (Figure 3a); or
- PCB mounted in an IP54 enclosure (Figure 3b).

The CabSafe 200 controller designed for modernization purposes with a wider supply voltage range is available with a relay in an IP54 enclosure (Figure 3c).

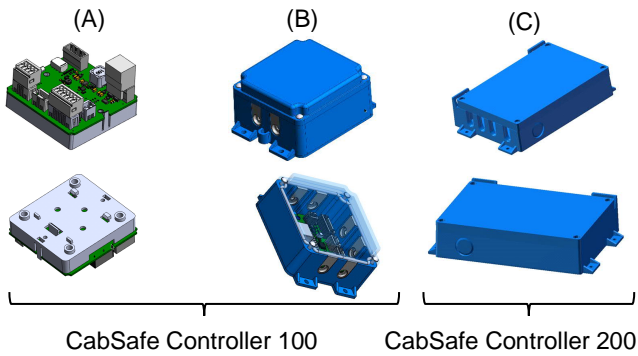


Figure 3: (a) CabSafe Controller 100 PCB on a PCB carrier, (b) CabSafe Controller 100 PCB in a box, (c) CabSafe Controller 200 with wide supply voltage range for modernization applications [Drawings: see chapter 5.23]

5.2 Features

- PCB for new installations or enclosure solution (IP54) for modernization
- Push-pull or relay version
- Wide supply voltage range version for modernization
- One output logically combines the signals from:
 - o cegard/Pro CabSafe 2D Light Curtain
 - o CabSafe 3D Sensor
- Different door geometries selectable
- No SW configuration required

5.3 Software versions

The functionality and/or feature list of the CabSafe Controller may change or expand during the life cycle of the product. Table 1 provides an overview that implements the FW version:

Software (SW) Version	New feature or functionality change
1.02	Product launch
1.10	Rendering inoperative time changed from 20 sec to 5 sec (see chapters 4.2 and 5.11).

Table 1: SW Versions of CabSafe Controller

5.4 Safety Instructions

WARNING

- Switch off main power to the elevator control system and mark clearly that the elevator is out of service.
- Do not mount the CabSafe Controller on the moving door panel.
- Follow all applicable safety measures.
- Make sure that your installation complies with all applicable regulations and safety measures.
- Avoid any damage to the CabSafe Controller

- Observe the ESD protection protocol when removing the PCB from the packaging and during installation.
- Don't drill additional holes into the PCB
- Don't touch the PCB during operation.
- To avoid mechanical stress to the PCB, plug/unplug the connectors only when the PCB is mounted to the PCB carrier or PCB box.
- Use only appropriate connections to the CabSafe Controller.
- In the USA, all connections requiring 42 Volts or greater must be wired through Greenfield tubing and fittings. Disconnect power before opening the control unit to prevent electrical shock. Do not remove any inside electronics.
- It is prohibited to make any changes to the CabSafe Controller itself (only DIP switch settings).
- Only the CEDES CabSafe 2D and CabSafe 3D sensors can be connected to a CabSafe Controller
- Connection cord with a length exceeding 2 meters shall be protected in a raceway.

5.5 System integration

The CabSafe Controller provides DIP switches (chapter 5.9) to configure

- elevator door types (center and side opening)
- elevator door entrance height
- method to inactivate the CabSafe 3D sensor when the door is closing

After the

- setting of the DIP switches according to the elevator door type and height,
- the installation of all CabSafe components
- the connection of all CabSafe components to the CabSafe Controller and
- verification of the detection capabilities of all CabSafe components

the CabSafe system is ready for use.

5.6 Mechanical installation

The CabSafe Controller boxes and the CabSafe Controller carrier can be mounted in any orientation on a flat surface.

The mounting holes of

- the CabSafe Controller 100 PCB carrier (dimensions in chapter 5.23.1),
- the CabSafe Controller 100 Box (dimensions in chapter 5.23.2) or
- the CabSafe Controller 200 Box with the wider supply voltage range (dimensions in chapter 5.23.3)

provide a stable and robust installation. The PCB carrier can also be snapped on a 45mm DIN rail.

For the CabSafe Controller 100: up to 6 cables can be guided through grommets (two grommets on three sides of the CabSafe controller box, see also Figure 3 b). The shipping kit of the controller contains two types of grommets with different hole diameter:

- 4x grommets with Ø4.5mm
- 2x grommets with Ø3.0mm

The grommets with the smaller diameter should be used for thinner cables (e.g. for the connection cable of the cegard/Pro CabSafe 2D transmitter (Tx), white M8 plug). Depending on the required sealing rate of the final installation the cables can be guided through the rubber grommets in different ways:

- a. Press the M8 connection plug through the hole of the grommet
- b. Cut the grommet on one side so that the cable can be inserted from the side and then position the grommet in the CabSafe controller. alternatively
- c. remove the WAGO plug, guide the cable through the grommet, reconnect the WAGO plug

Each standard shipping kit for the CabSafe Controller 100 also contains two blind stoppers which can be used if only four or five cables are connected to the CabSafe controller.

For increased protection of a CabSafe Controller 100 or CabSafe Controller 200 against moisture, use a silicon sealant around the cable entry points and on the sealing of the cover.

For the USA and Canada:



WARNING
Serious health risks

- Connect all wiring with more than 42 V through a Greenfield fitting.
- Disconnect power before opening the UPS to prevent electrical shock. Otherwise serious injury or death may occur!



Figure 4: Installation of a Greenfield fitting

Figure 4 displays the basics steps for an installation of a Greenfield fitting:

1. Knockout hole for Greenfield fitting
2. Final Installation of the Greenfield fitting (from T&B or other UL/CSA approved manufacturer)

5.7 Electrical connections

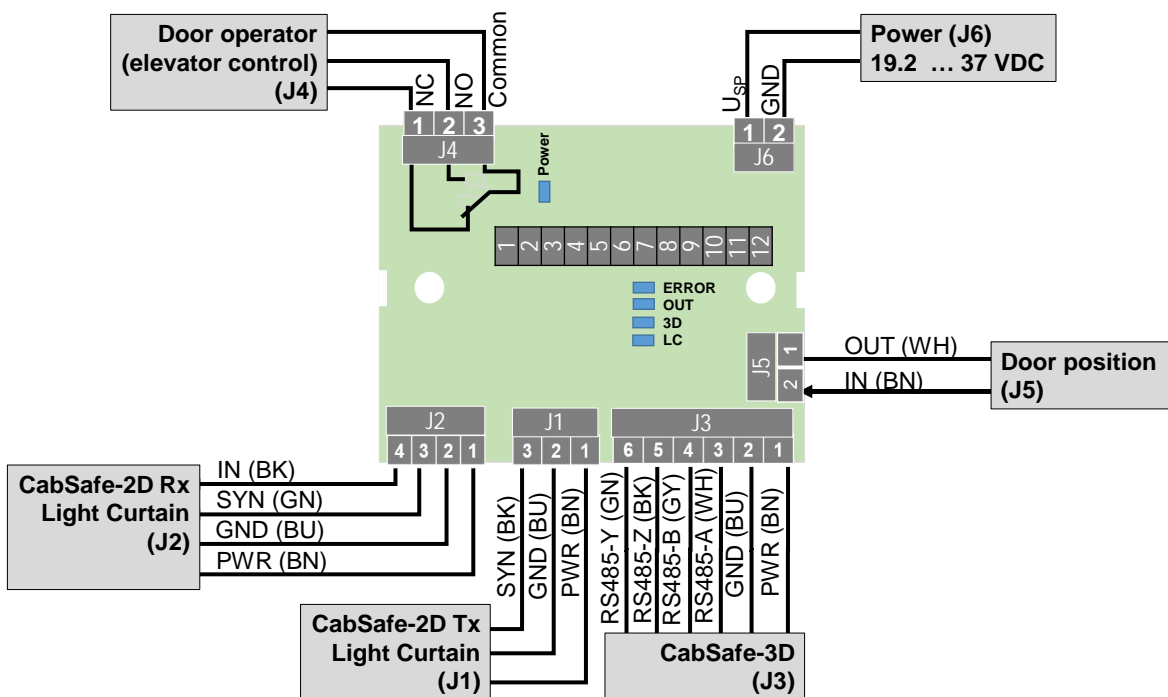


Figure 5: Electrical connections CabSafe Controller 100 with relay output

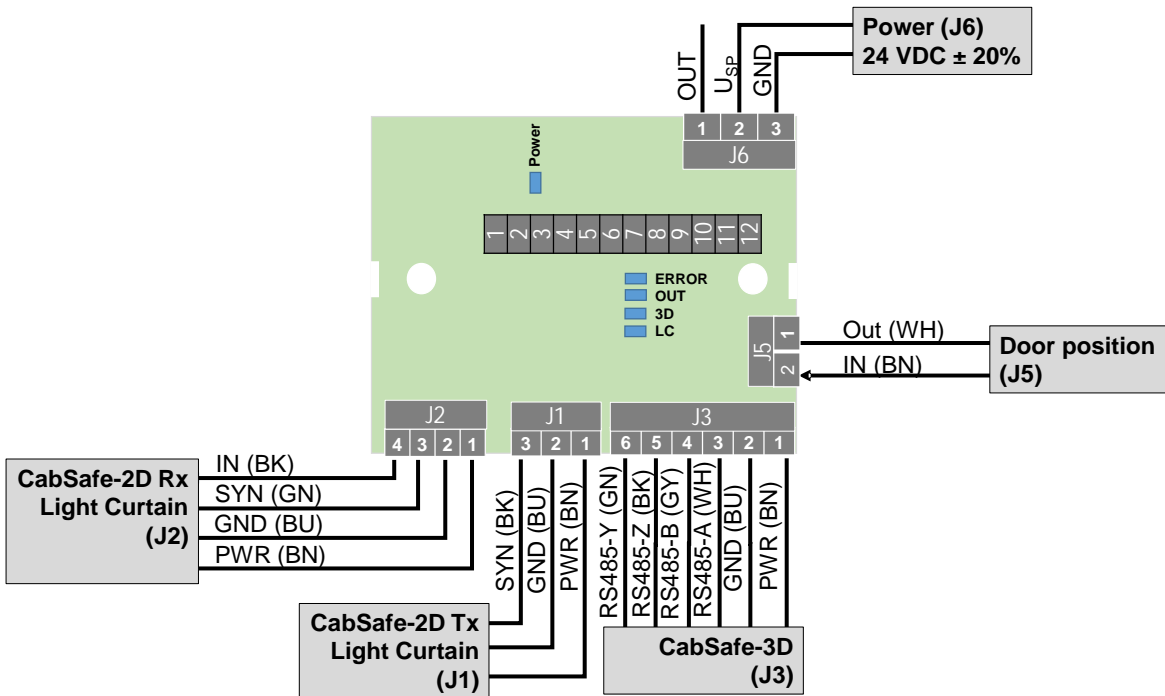


Figure 6: Electrical connections CabSafe Controller 100 with push pull output

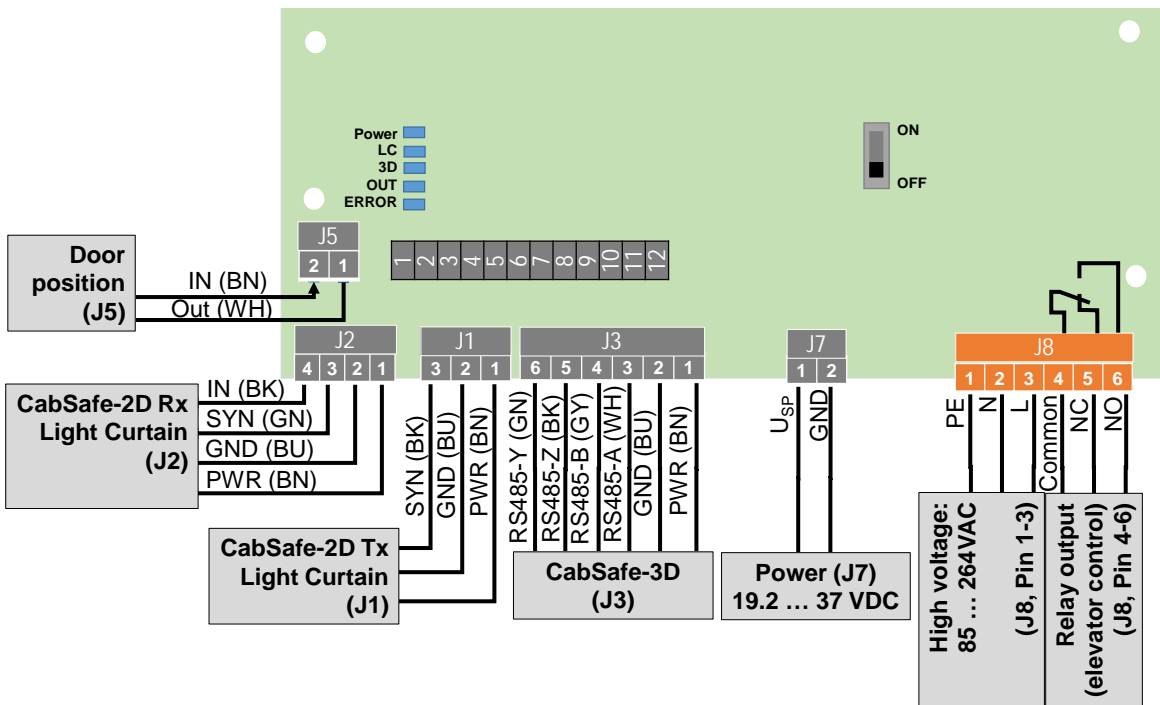


Figure 7: Electrical connections CabSafe Controller 200 with relay output

High voltage power supply:
 N: AC neutral, plus or minus for DC
 L: AC hot, plus or minus for DC
 PE: Protective earth

Details for the door position signal/switch are provided in chapter 5.8.

Chapter 5.12 provides additional information for the connection of the controller output.

5.8 Door position signal

The connection of the door position signal is only required for static light curtain installations. For dynamic installations (when the light curtain is mounted on the door(s)), the CabSafe 2D light curtain can provide the door closing signal to the CabSafe Controller. So for dynamic installations a connection to the connector J5 is not required.

For static installations, the CabSafe Controller expects a door position signal which is provided by either the elevator control or from a door position sensor.

For the door position signal (Connector J5) either

- a contact (e.g. a magnetic switch) or
- a 24 VDC signal

can be used. In case of a contact: the contact must be able to switch a current of 2.3 mA. In case of a 24 VDC signal: the ground (GND) of the signal source must have the same 0 V DC reference (i.e. it must be connected to the same ground (GND) that the CabSafe Controller is connected to).

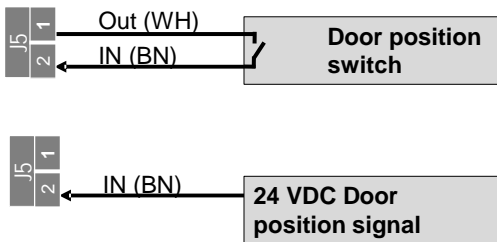


Figure 8: Options for the door position signal

In general: the signal at pin 2 of the plug J5 shall be high (+24 VDC) when the door is closed.

The actuation should occur when the elevator door opening is between:

- Elevator door opening ≤ 400 mm (15.75 in.) and
- Elevator door opening ≥ 300 mm (11.81 in.). [For elevators with no glass doors ≥ 0 mm (0 in.) is possible.]

For a correct function DIP #3 and DIP #4 must be set according to chapter 5.9.2.

Notice:

The door position signal to the CabSafe Controller (see Figure 8) can also be generated by an elevator control or other sensors (e.g. fork type barrier).

5.9 Functional selection DIP switches

The configuration of the CabSafe-System is managed by settings of twelve (12) DIP switches. The location of the switches is shown in Figure 5, Figure 6 and Figure 7. The switches are described further in the tables that follow.

DIP	Function
1	Mounting position
2	

3	Door closing detection
4	
5	Door height
6	
7	
8	
9	Bypass
10	Logic
11	Frequency
12	Not used

Table 2: Overview functional settings

CAUTION

Do not change settings of any switch if the CabSafe-Control unit is powered on. Damage may occur!

5.9.1 Settings for the 3D sensor mounting position

Mounting position	DIP 1	DIP 2
No function *	0	0
Left (Figure 24)	1	0
Right (Figure 25)	0	1
Center (Figure 23)	1	1

Table 3: Mounting position of sensor in the transom seen from the hallway into the cabin (*= Factory default.)

At least the position of one DIP has to be changed to enter operation mode.

5.9.2 Settings for the door position detection

Door closed detection	DIP 3	DIP 4
No function *	0	0
Dynamic installation of the CabSafe 2D: by light curtain	1	0
Static installation of the CabSafe 2D: by door position signal or an elevator control signal (*)	0	1

Table 4: Definition of how the door closing or door closed is detected (*= factory default)

(*-> Recommended setting for glass door elevators, assuming that the light curtain is not installed at the leading door edge because of the visible cable guiding.)

At least the position of one DIP has to be changed to enter operation mode.

5.9.3 Settings for the door opening height:

Door height range	DIP 5	DIP 6	DIP 7	DIP 8
No function *	0	0	0	0
6.66 ft to 7.5 ft	1	0	0	0
>7.5 ft to 8.5 ft	0	1	0	0

>8.5 ft to 9 ft	0	0	1	0
>9 ft to 10 ft	0	0	0	1

Table 5: Door height range (*= factory default)

At least the position of one DIP has to be changed to enter operation mode.

5.9.4 Settings for the 2D versus 3D Active:

Bypass 3D sensor	DIP 9
3D active *	0
3D inactive	1

Table 6: DIP settings to bypass 3D sensor (*= factory default)

A setting of DIP 9 to “1” causes that the CabSafe Controller is only operated with the 2D sensor. This functionality requires that the 3D sensor to be physically disconnected from the CabSafe Controller, otherwise an error is displayed.

5.9.5 Output logic selector

Output logic selection	DIP 10
Standard *	0
Inverted	1

Table 7: DIP settings to change output logic (*= factory default)

With DIP 10 the output logic is inverted (see chapter 5.12).

5.9.6 Operation frequency selector

Operation frequency selection	DIP 11
Standard *	0
Modified	1

Table 8: DIP settings to 3D sensor operation frequency. (*= factory default)

5.11 Timing diagram

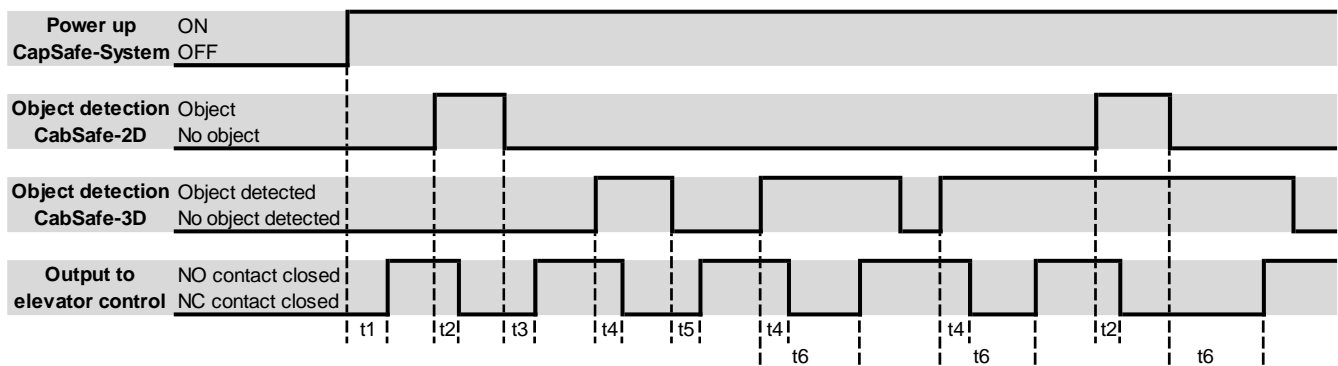


Figure 9: Timing diagram (Output logic selection DIP10 = 0)

Time	Description	Value
t1	Power on time	< 5 s
t2	Typ. reaction time of the CabSafe Controller output caused by an object entering the detection field of the CabSafe 2D sensor	<140 ms
t3	Typ. release time of the CabSafe Controller output after clearance of the detection field of the CabSafe 2D sensor	< 20 ms + Light curtain

With DIP 11 the operation frequency of the CabSafe 3D sensor is modified. (see chapter 6.7).

5.10 Buzzer

The CabSafe Controller 200 has an integrated buzzer. The buzzer indicates the status of the output of the CabSafe system. If the CabSafe system output signals that an object is detected, then the buzzer is on.

In addition to the DIP-switches (chapter 5.9), the CabSafe Controller 200 has a separate switch to turn the buzzer functionality on and off (see Figure 7).

Buzzer	Switch
Buzzer off *	OFF
Buzzer indicates CabSafe system output	ON

Table 9: Switch settings for the buzzer functionality. (*= factory default)

Installation tip:

When the buzzer is switched on with the sliding switch, the status of the output signal is indicated with a buzzer signal. This function is very helpful after installation to check the proper function of the CabSafe system.

If the CabSafe system or the light curtain do not operate as described in this section, please refer to chapter 5.16 "Trouble shooting".

t4	Typ reaction time of the CabSafe Controller output caused by an object detection of the CabSafe 3D sensor	< 250 ms
t5	Typ. release time of the CabSafe Controller output after clearance of the detection field of the CabSafe 3D sensor	1.7 s
t6	3D-time rendering inoperative 3D sensor (see chapter 4.2; chapter 5.3)	5 sec

Table 10: Descriptions of the times provided in Figure 9

5.12 Controller output

The connection of the push-pull output is schematically described in **Fehler! Verweisquelle konnte nicht gefunden werden.**

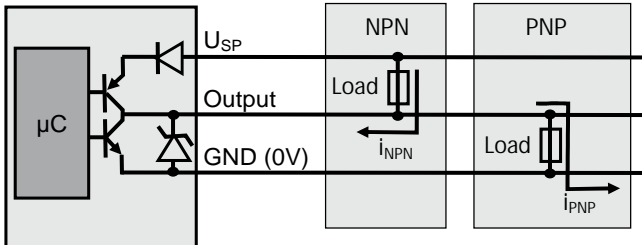


Figure 10: Schematic electric connections for the CabSafe Controller with push pull output

The contact rating of the CabSafe Controller 100 and CabSafe Controller 200 output relay is provided in Table 21. Make sure that you use a pilot relay when switching higher voltage DC loads greater than 0.5 A.

The use of some type of surge suppression to help protect and extend the operating life of the outputs is recommended when switching inductive load

devices, such as motors or solenoids. The potentially high current surges that are created when switching inductive load devices, requires this extra protection. By adding a suppression device directly across the coil of an inductive device, the life of the outputs is prolonged.

CAUTION

The response time of the circuit often increases drastically, when surge suppression diodes are used.

Never install suppressors directly across:

- the semiconductor outputs, or
- the contacts of a connected relay.

The semiconductor output respectively relay output of a CabSafe controller is not monitored. A stuck at high of the semiconductor output or a welded relay contact of a CabSafe controller may lead to a dangerous situation. To monitor the output a change of state after a certain number of door motions must be implemented.

5.13 Controller output logic

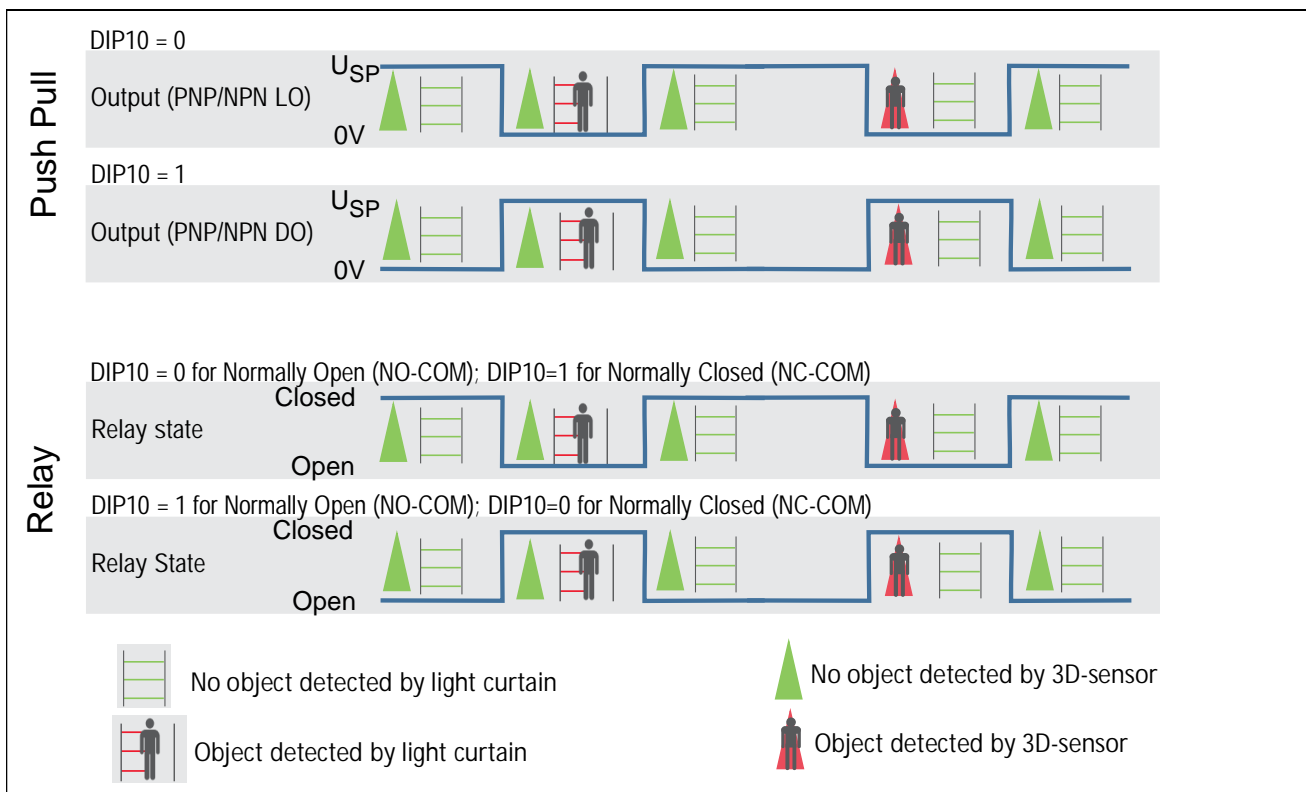


Figure 11: Controller output logic

5.14 Startup CabSafe Controller

1. Make sure that the CabSafe 2D and CabSafe 3D sensors are connected.
2. Switch on supply. The POWER-LED at the CabSafe Controller will change from OFF to Green ON.
3. After 5 seconds power up time and elevator door open check the LED "3D". If the LED is OFF means: there is no object detected with the CabSafe 3D sensor.
4. Check the LED "LC". If the LED is OFF means: there is no object detected with the CabSafe 2D light curtain.
5. Test if the LED "OUT" changes state by interrupting the protective field of the CabSafe 2D light curtain. Perform the test of the light curtain from inside of the cabin. The light curtain must signal object detected at all times if
 - a. an object with a height of 80 mm (3.15 in.) is detected at any position of the protective field and
 - b. an object with a height of 50 mm (1.97 in.) is detected at any position at the floor during this test.
6. Test if the LED "OUT" changes state by interrupting the detection field of the CabSafe 3D sensor. Correct function shall be tested by a person walking from outside towards the cabin (walking speed between 0.3 m/s and 1.0 m/s). The CabSafe 3D sensor must signal object detected at all tests.

5.15 LED status description

LED	Status	Description
POWER	OFF	Power OFF
	Green ON	Power ON

Table 11: Description Power LED

LED	Status	Description
ERROR	OFF	System running
	Pulse	See Table 13 for error codes
Out	OFF	Relay output = energized (NO contact closed)/ PNP output = ON DiP10=0: No object detected by the CabSafe 3D sensor or by the CabSafe 2D light curtain
	Orange ON	Relay output = de energized (NC contact closed)/ PNP output = OFF DiP10=0: Object detected by the CabSafe 3D sensor or by the CabSafe 2D light curtain
3D	OFF	No object detected by the CabSafe 3D sensor
	Pulse	3D rendered inoperative (Pulse signal: 300 ms On, 900 ms pause) <ul style="list-style-type: none"> - by a door position signal - by light curtain or - by 3D-time out (see chapter 4.2 and Figure 9)
	Orange ON	Object detected by the CabSafe 3D sensor
LC	OFF	No object detected by the CabSafe 2D light curtain (LC)
	Orange ON	Object detected by the CabSafe 2D light curtain (LC)

Table 12: Description status LEDs

Pulse error definition:

Error No	Pulse code	Description
1	1 flash, 1 pause	Internal CabSafe 3D-sensor error or manipulation: Check first if CabSafe 3D sensor is manipulated (e.g. covered). If not, then please replace CabSafe Controller
2	2 flash, 1 pause	Reserved
3	3 flash, 1 pause	Configuration error Invalid CabSafe Controller DIP switch setting, see 5.9
4	4 flash, 1 pause	Internal error, please replace CabSafe Controller
5	5 flash, 1 pause	Reserved
6	6 flash, 1 pause	Communication problem CabSafe Controller <-> CabSafe 3D Sensor
7	7 flash, 1 pause	Reserved
8	8 flash, 1 pause	Reserved

9	9 flash, 1 Pause	General CabSafe Controller system error (IC temperature, voltage, ...)
---	------------------	--

Blinking code:
Flash = 300 ms On / 300 ms Off
Pause = 1'800 ms

Table 13: Error code description

5.16 Trouble Shooting

PWR (Green)	ERROR (Red)	Out (Orange)	3D (Orange)	LC (Orange)	
OFF	OFF	OFF	OFF	OFF	<ul style="list-style-type: none"> • Check electrical connections from Controller to power supply. • Check supply voltage of the door controller.
ON	OFF	OFF	OFF	OFF	No error, normal operation
ON	OFF	ON	OFF	ON	No error and normal operation if protective field of CabSafe 2D light curtain is interrupted If CabSafe 2D Light Curtain is not interrupted, follow trouble shooting instructions in CabSafe 2D user manual
ON	OFF	ON	ON	OFF	No error and normal operation if CabSafe 3D sensor detects approaching object. If CabSafe 3D sensor does not detect approaching object, follow trouble shooting instructions in chapter 6.11
ON	OFF	OFF	BLK	OFF	No error and normal operation. Two options <ul style="list-style-type: none"> • 3D time out, 5 s timer active (see chapters 4.2; 5.3 and Figure 9) • Door closed
ON	BLK	ON	ON	ON or OFF	Check error blinking code according to Table 13

Table 14: Trouble shooting

5.17 Product label

5.17.1 Product label Controller 100 PCB

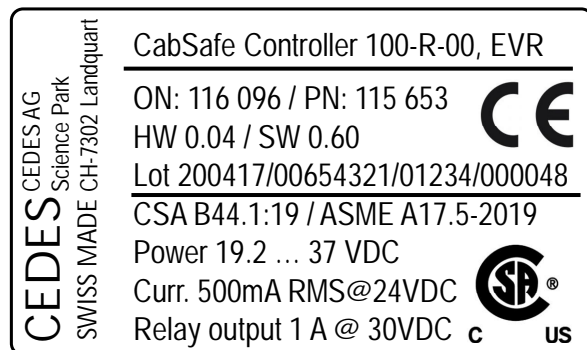


Figure 12: Product Label CabSafe Controller 100 PCB

CabSafe Controller 100-R-00, EVR	Description of the CabSafe Controller (acc. to type description, see chapter 5.19).
Lot number	Manufacturing Date (200417), manufacturing job number (00654321), employee number responsible for final test (01234), and incremental count (000048) build the lot number.
HW / SW Index (see also 5.3)	Increasing digits with the following meaning: 1.xx : major changes, e.g. additional functionality x.0x : changed configuration (e.g. timing), error correction, bug fix, new compilation, no additional functionality x.x0 : 'cosmetic' update, no functional influence

Table 15: Description of label content

The label includes information according to table below:

ON 1xx xxx	Customer order number (ON) existing of 6 numbers with space after the third
PN 1xx xxx	Internal CEDES part number (PN) existing of 6 numbers with space after the third

5.17.2 Product label Controller 100 Box

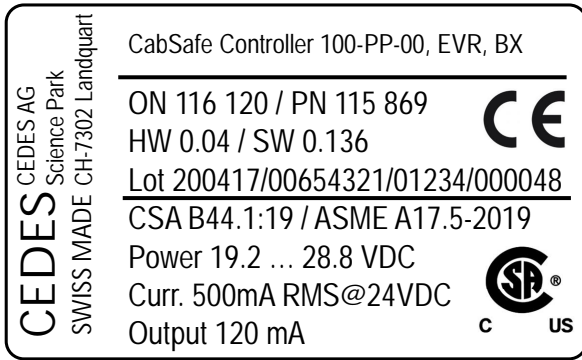


Figure 13: Product Label CabSafe Controller 100 Box (Push-Pull output)

5.17.3 Product label Controller 200 Box

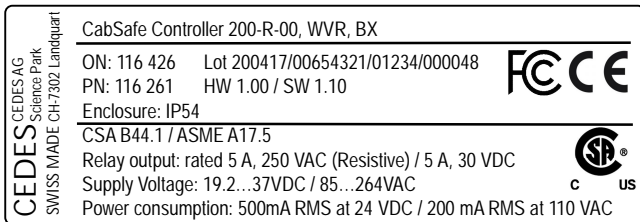


Figure 14: Product Label CabSafe Controller 200 Box (Relay output)

For the description of the label content see Table 15

5.18 Maintenance

The CabSafe Controller does not need regular maintenance.

5.19 Type description CabSafe Controller

Coding:

CabSafe Controller abb-cc-dd, eee, ff

Examples:

CabSafe Controller 100-PP-00

CabSafe Controller 100-R-00, EVR

	Options	Description
a	1 2	Series: Low supply voltage range Wide supply voltage range
bb	00	SW series 00
cc	PP R	Output type: Push pull Relay
dd	00	DIP-Switch settings: 00 -> All DIP = 0
eee	(blank) EVR WVR	Supply voltage: 24 VDC +/-20% extended voltage range [19-37 VDC] WVR -> wide voltage range [see supply voltage for CabSafe Controller 200 Table 21]
ff	(blank) PC BX BI	Housing type: pure PCB PCB on carrier Box Box including silicon sealing kit

Table 16: Type description

5.20 Delivery package

The CabSafe Controller Boxes as well as the CabSafe Controller PCB's are shipped without connection plugs for the CabSafe 2D light curtain and CabSafe 3D sensor. The connection plugs of the individual CabSafe components are shipped together with the CabSafe components itself.

5.21 Accessory magnet switch

For static installations of the CabSafe 2D light curtain the following magnetic switch can be installed to provide a door closing signal to the CabSafe Controller.

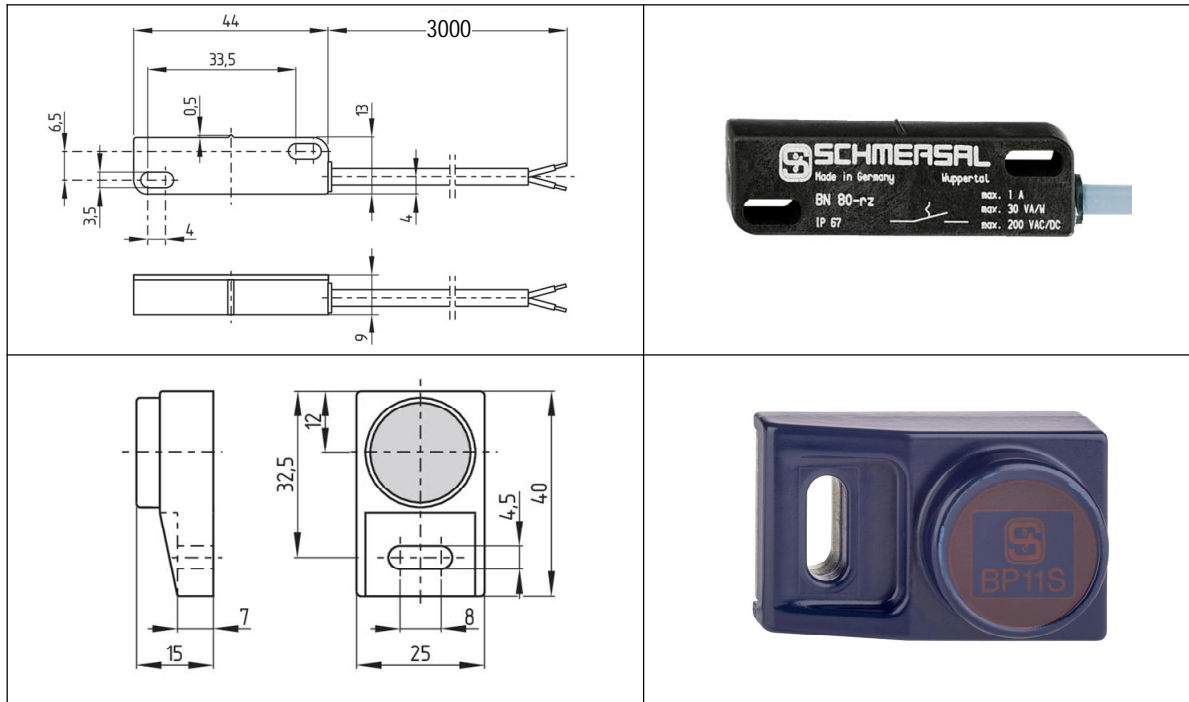


Figure 15: Dimensions door position sensor

The sensor and the actuator have to be positioned so that the actuation occurs when the elevator door opening (“W” in Figure 16 and Figure 17) is between:

- Elevator door opening ≤ 400 mm and
- Elevator door opening ≥ 300 mm

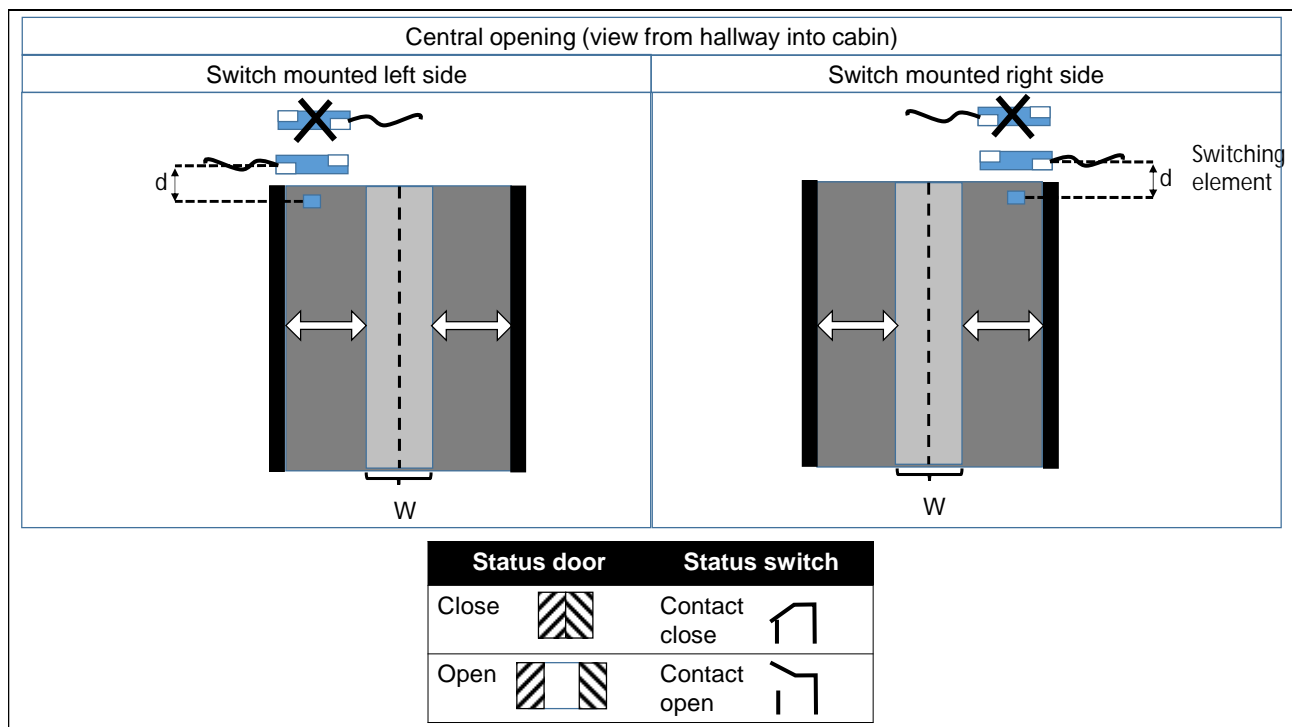


Figure 16: Magnet switch in case of central opening

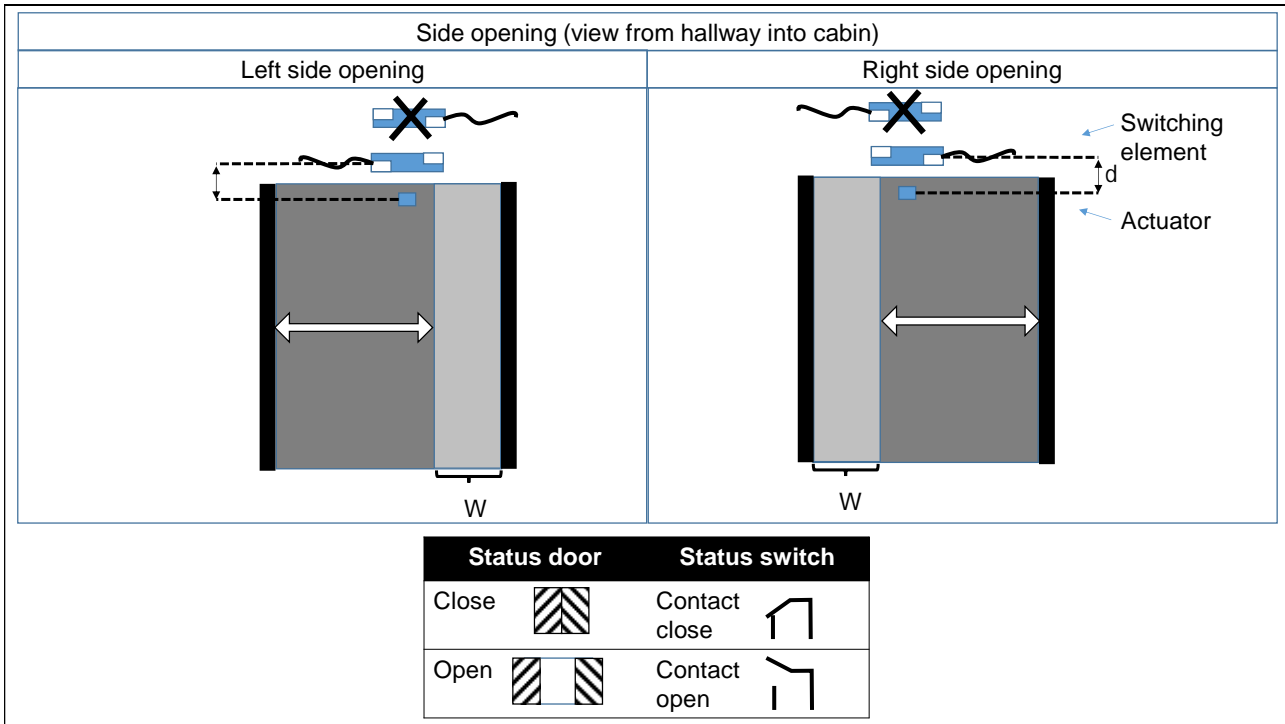


Figure 17: Magnet switch in case of side opening

The cable outlet of the sensor must always be positioned towards the door opening direction at the installed door as indicated in Figure 17. It is only one switch required per elevator (for central and for side opening).

Description	Min.	Max.	Comments
Type			Switch: BN 80-RZ
Housing			Thermoplastic enclosure
Contact type			Bistable, 1 reed contact
Enclosure rating	IP67		
Range actuating magnet BP 11 S	10 mm	30 mm	
Cable length		3 m	PVC
Operating temperature range	-25°C	+ 75°C	
Bounce time		0.5 ms	
Switching current		0.5 A	2.3 mA provided by CabSafe Controller at U _{SP} =24VDC
Mechanical life (operations)	10 ⁹		
Weight		26 g	

Table 17: Specification magnet switch

Description	Min.	Max.	Comments
Type			BP 11 S
Housing			Metal
Weight		40 g	

Table 18: Specification actuator

5.22 Technical data CabSafe Controller

5.22.1 Mechanical

Attribute	Value
Controller 100 Box	
Dimensions (l x h x w)	120 x 94.1 x 51 mm (4.72 x 3.70 x 2.01 in.) (See Figure 19)

Material	PC/ABS blend
Color	Blue
Weight (incl. PCB)	140 Grams
Controller 100 PCB on adapter	
Dimensions	71.4 x 68.3 x 47.5 mm (2.81 x 2.69 x 1.87 in.) (See Figure 18)
Material	
Color	Black
Weight (incl. PCB)	45 Grams

Controller 200 Box	
Dimensions (l x h x w)	200 x 129 x 44.5 (7.87 x 5.08 x 1.75 in.) (See Figure 20)
Material	ABS
Color	Blue
Weight (incl. PCB)	434 g

Table 19: Mechanical data

5.22.2 Environmental

Attribute	Value
Enclosure rating PCB	IP00
Enclosure rating boxes (Controller 100 and 200)	IP54
Operating temperature Controller	-20°C ... +60°C (-4°F ... 140°F)

Table 20: Environmental data

5.22.3 Operation characteristics

Attribute	Value
Supply voltage U _{SP} CabSafe Controller 100 Push pull version Relay version CabSafe Controller 200 Low voltage (J7) DC Input High voltage (J8) AC Input	24 VDC +/- 20% 19.2 ... 37 VDC 19.2 ... 37 VDC 85 ... 264VAC
Max. ripple of DC supply voltage	± 10% within supply voltage range
Supply voltage light curtain (J1 and J2)	24 VDC
Supply voltage 3D sensor (J3)	24 VDC
Max. power up time CabSafe Controller 100 CabSafe Controller 200	< 5 s < 6 s
Average power consumption DC & Door closed DC & Door open AC & Door closed AC & Door open	6 W 12 W 10 W 20 W
Inrush current (including CabSafe 2D light curtain and CabSafe 3D sensor) At 24 VDC At 115 VAC At 230 VAC	11 A 20 A 40 A
Current At 24 VDC At 115 VAC At 230 VAC	500 mA RMS 350 mA 200 mA
Output type Controller 100 Controller 200	Push-Pull or Relay Relay
Max Push-Pull current /	120 mA /

capacitance	100 nF
Max. relay current Controller 100 Controller 200	1 A / 30VDC 250 VAC / 5 A 125 VDC / 0.5 A 30 VDC / 5 A
Min. switching current (relay)	0.01 A / 5 VDC
Max. number of mechanical relay operations	> 20 x10 ⁶
Max. relay switching voltage: Controller 100: Controller 200:	37 VDC 300 VDC
Typical system response time CabSafe 3D CabSafe 2D	< 250 ms < 20 ms + response time CabSafe 2D light curtain

Table 21: Operation characteristics

5.22.4 Connectors

Attribute	Value	Plug type	Remark
3D sensor	6-pin (J3)	WAGO 734-106 (*)	Plugs already connected at connection cables
CabSafe-2D Tx	3-pin (J1)	WAGO 734-103 (*)	
CabSafe-2D Rx	4-pin (J2)	WAGO 734-104 (*)	
Door position	2-pin (J5)	WAGO 734-102 (*)	
CabSafe Controller 100 [Push Pull version]			
Power/Output	3-pin (J6)	WAGO 231-103 (*)	
CabSafe Controller 100 [Relay version]			
Power	2-pin (J6)	WAGO 231-102 (*)	
Output	3-pin (J4)	WAGO 231-103 (*)	
CabSafe Controller 200 [Relay version]			
Power 24VDC	2-pin (J7)	SAURO CBF020LT-0N (*)	
High power/Relay output	6-pin (J8)	WAGO 231-306/026-000 (*)	

Table 22 CabSafe Controller Connectors [* -> or equivalent]

5.22.5 General


Attribute	Value
EMC emission	EN 12015:2014
EMC immunity	EN 12016:2013 ISO 22200:2009
Vibration	IEC 60068-2-6:2007
Shock	IEC 60068-2-27:2008
RoHS, REACH	2011/65/EU, 1907/2006 EU 
Certificates	
cCSAus	CSA B44.1:19 / ASME A17.5-2019
Liftinstituut	ASME A17.1-2019 / CSA B44:19
CE	2014/30/EU, 2014/33/EU
FCC	Class B (*)

Table 23 CabSafe Controller Certification

(* NOTE: This equipment has been tested and found to comply with the limits for a Class B digital device,

pursuant to part 15 of the FCC Rules. These limits are designed to provide reasonable protection against harmful interference in a residential installation. This equipment generates, uses and can radiate radio frequency energy and, if not installed and used in accordance with the instructions, may cause harmful interference to radio communications. However, there is no guarantee that interference will not occur in a particular installation. If this equipment does cause harmful interference to radio or television reception, which can be determined by turning the equipment off and on, the user is encouraged to try to correct the interference by one or more of the following measures:

- Reorient or relocate the receiving antenna.
- Increase the separation between the equipment and receiver.
- Connect the equipment into an outlet on a circuit different from that to which the receiver is connected.
- Consult the dealer or an experienced radio/TV technician for help.)

5.23 Dimensions CabSafe Controller

5.23.1 Dimensions Controller 100 PCB carrier

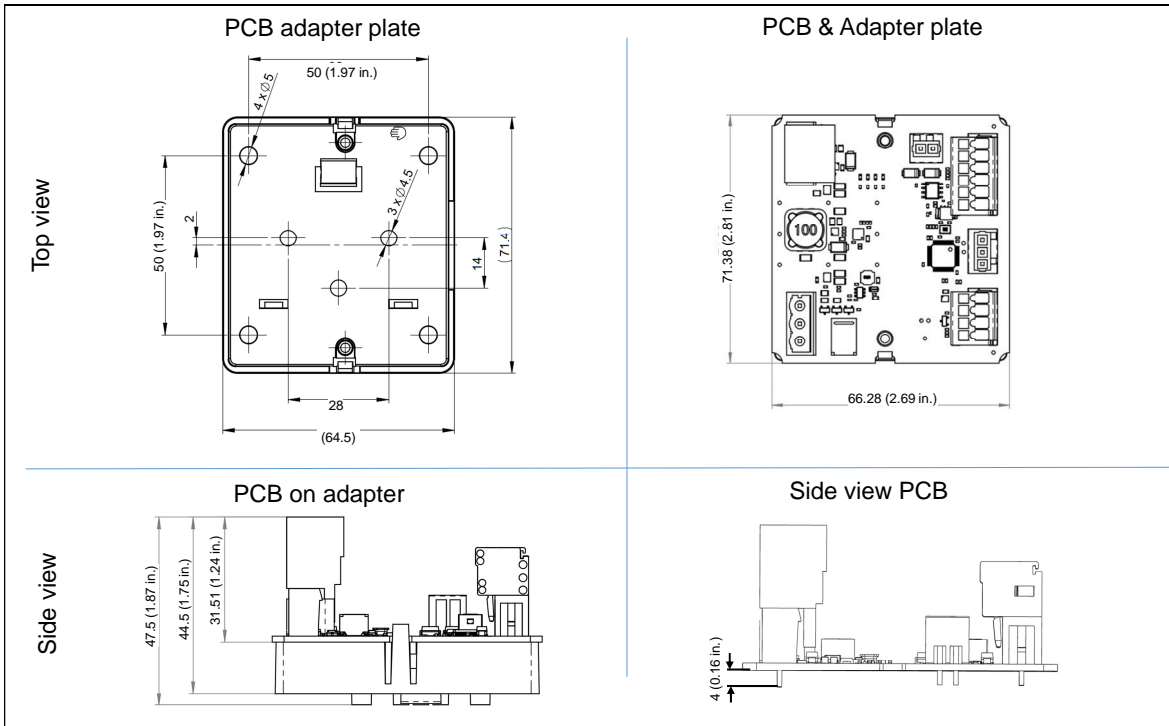


Figure 18: Dimensions CabSafe Controller 100 PCB carrier solutions

5.23.2 Dimensions Controller 100 Box

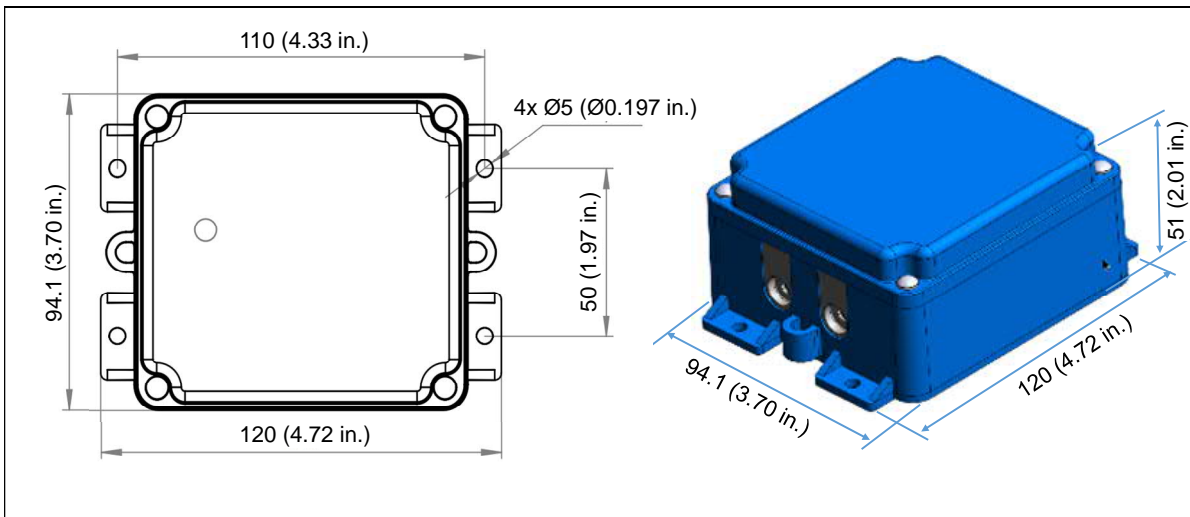


Figure 19: Dimensions CabSafe Controller 100 Box solution

5.23.3 Dimensions Controller 200 Box

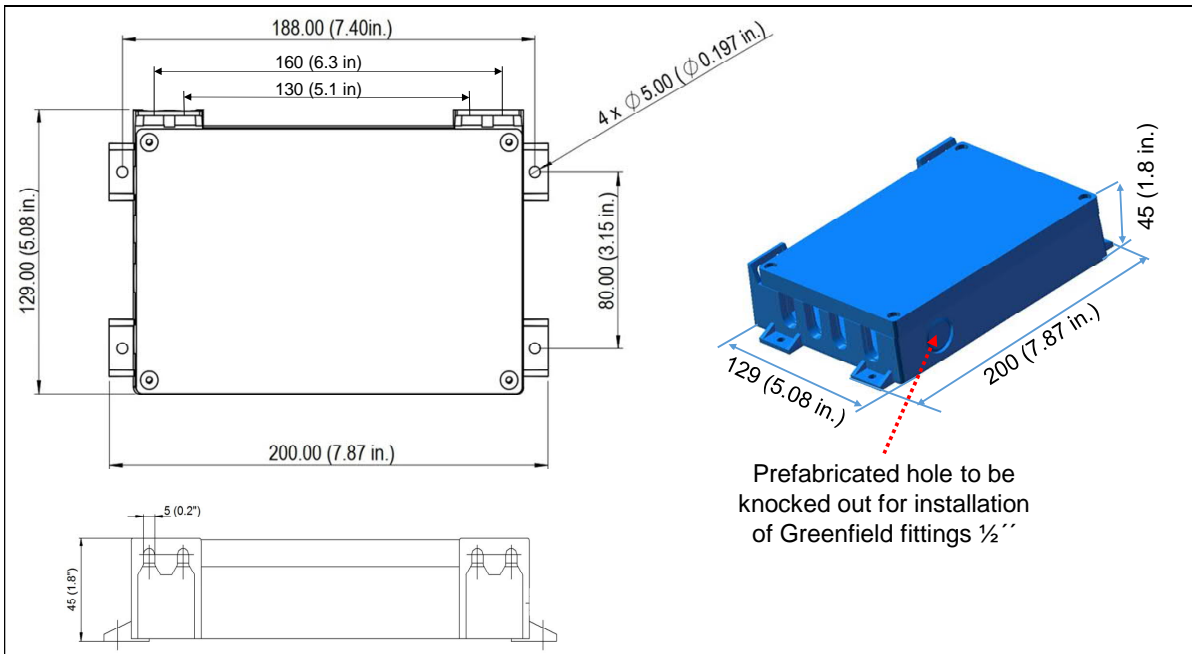


Figure 20: Dimensions CabSafe Controller 200 Box solution

6 CabSafe 3D sensors

6.1 Overview CabSafe 3D sensor

The CabSafe 3D sensor is used to detect the presence of persons or objects approaching the elevator cab entrance. To fulfill the requirements of ASME A17.1-2019 / CSA B44:19, the CabSafe 3D must be used in conjunction with a CabSafe Controller and a CabSafe 2D light curtain.

As an extension to existing door-protection devices, the purpose of the CabSafe 3D sensor is to monitor the entrance area of the elevator door for people or objects approaching the elevator cab. By using "Time of Flight" (TOF) technology, the CabSafe 3D sensor can detect the difference between a person (or object) approaching the elevator cab and a stationary person or object in the elevator cab entrance area. The sensor's compact housing is optimized for difficult mounting locations, including narrow elevator cab transoms.

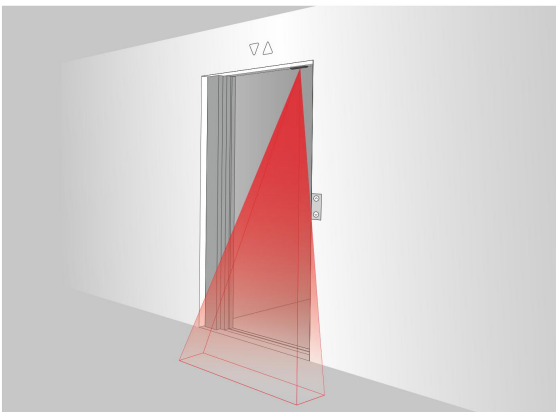


Figure 21: Principal installation of a CabSafe 3D sensor (example for side opening)

6.2 Features of the CabSafe 3D sensor:

- Fulfills requirements of ASME A17.1-2019 / CSA B44:19
- Suitable for both center- and side-opening applications
- Easy installation
- Reliable object detection using Time-of-Flight (TOF) technology
- Integrated LED indication
- Reduces accidents caused by being hit by the elevator door(s)
- Reduces damage to the elevator doors
- Easy configuration of the monitored area
- Automatic door recognition

6.3 Type description CabSafe 3D sensor kit

CabSafe 3D – a – bb – ccc

a	Version
-	Series one
2	Series two (future)
bb	Mounting brackets
FB	Flush mounting black finish
FS	Flush mounting stainless finish
cc	Sensor type
-	Generic
TDL	Tall Door Left
TDR	Tall Door Right

Example:

CabSafe 3D-FB

6.4 Safety information

The CabSafe 3D sensor must be used in conjunction with a CabSafe Controller and a CabSafe 2D light curtain. It is the responsibility of the installer to ensure that, on completion, the installation complies with all the relevant codes and regulations that pertain to elevator door protection devices.

6.4.1 Non-intended use

The CabSafe 3D sensor must not be used for:

- Elevator with pure glass doors (see 6.5.1.2)
- Protection of dangerous machines
- Equipment in explosive atmospheres
- Equipment in radioactive environments



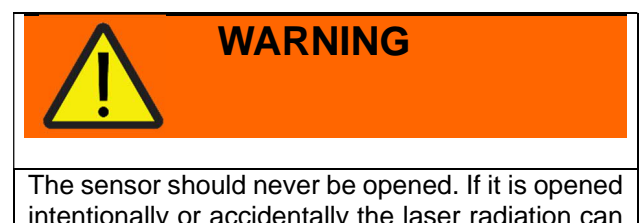
Use only specific and approved safety devices for such applications, otherwise serious injury or death or damage to property may occur.

6.4.2 Hazards of laser radiation



CabSafe 3D sensor is in conformance with IEC 60825-1, 2014 Ed.3 and 21 CFR 1040.10*

*According to the document Laser Notice. 56 issued by FDA on May 8, 2019



reach to a hazardous Class 4 level and exposure to eyes and skin from direct, reflected and scattered radiation must always be avoided.

Do not operate the device with a defective or missing cover glass or lens. In case of such an event switch off the power supply immediately.

Use of additional optics in any form in front of the sensor or modifying the sensor or its optical components in anyway is absolutely prohibited. Noncompliance will lead to unforeseeable outcome.

6.5 Installation CabSafe 3D sensor

Following precautions must be followed when the CabSafe 3D sensor is integrated into a CabSafe system.

- The CabSafe 3D sensor must be applicable for the size of the elevator door entrance (see chapter 6.5.1.1).
- The CabSafe 3D sensor must be connected to the CabSafe Controller (see Figure 5).
- The switch settings in the CabSafe Controller must be set according to the
 - o mounting position of the sensor (chapter 6.5.1 and 5.9) and
 - o elevator entrance height (chapter 6.5.1 and 5.9)
 - o opposite elevator installations (chapter 6.7 and 5.9.6)
- Use only the dedicated mounting brackets of the CabSafe 3D sensor (see 6.5.4)
- Prepare and install sensor at the recommended mounting positions (see 6.5.3)
- For elevators with glass doors consider specific door design instructions and different mounting instructions for the CabSafe 3D sensor (see 6.5.1).

The installation should be done in the following order:

- Switch off power and mark clearly that this elevator is out of service (LOTO Lock Out Tag Out).
- Mechanical installation of the CabSafe 3D sensor (chapter 6.5.1)
- Make sure the DiP Switches of the CabSafe Controller are set according to the installation (see chapter 5.9).
- Electrical installation and integration of CabSafe 3D sensor to the CabSafe Controller
- Power-up and test for proper function.

6.5.1 Field of application

6.5.1.1 Elevator door widths and heights

Six CabSafe 3D sensors are available:

Type (see chapter 6.3)	Color of bracket	Remark
CabSafe 3D-FB	Black	Standard
CabSafe 3D-FS	Stainless	
CabSafe 3D-FB-TDL	Black	Tall Door, sensor on Left (Figure 24)
CabSafe 3D-FS-TDL	Stainless	
CabSafe 3D-FB-TDR	Black	Tall Door, sensor on Right (Figure 25)
CabSafe 3D-FS-TDR	Stainless	

Table 24: CabSafe 3D sensors

For most elevator applications the standard CabSafe 3D sensor can be used. Installation of the standard CabSafe 3D sensor, as well as the CabSafe 3D-TDL and the CabSafe 3D-TDR sensor, using the instructions that follow are suitable for (see Table 25):

		Mounting position		
		Left	Center	Right
Sensor type	CabSafe 3D-FB CabSafe 3D-FS	elevator door heights from 2.03 m to 2.43 m (6.67 ft to 8 ft) and door opening widths up to 1.37 m (4.5 ft)	elevator door heights from 2.03 m to 3.05 m (6.67 ft to 10 ft) and opening widths up to 1.37 m (4.5 ft).	elevator door heights from 2.03 m to 2.43 m (6.67 ft to 8 ft) and door opening widths up to 1.37 m (4.5 ft)
	CabSafe 3D-FB-TDL CabSafe 3D-FS-TDL	elevator door heights from 2.43 m to 3.05 m (8 ft to 10 ft) and door opening widths up to 1.37 m (4.5 ft)	NOT applicable	NOT applicable
	CabSafe 3D-FB-TDR CabSafe 3D-FS-TDR	NOT applicable	NOT applicable	elevator door heights from 2.43 m to 3.05 m (8 ft to 10 ft) and door opening widths up to 1.37 m (4.5 ft)

Table 25: Applicable door dimensions.

IMPORTANT
for a correct installation

- The CabSafe TDL (Tall Door Left) must be installed on the left side of the elevator door entrance when looking from the hallway to the cabin (Figure 24).
- The CabSafe TDR (Tall Door Right) must be installed on the right side of the elevator door entrance when looking from the hallway to the cabin (Figure 25).

The installation distance from the post for a CabSafe 3D-TDL or a CabSafe 3D-TDR sensor is equal to the distance of the standard sensor.

6.5.1.2 Glass door elevators

For elevators with glass doors the following requirements must be considered in addition to chapter 6.5.1.1:

- The leading edge of all doors must be metal (preferred brushed stainless steel) and shall have side lengths of equal or more than 40 mm (1.57 in.).

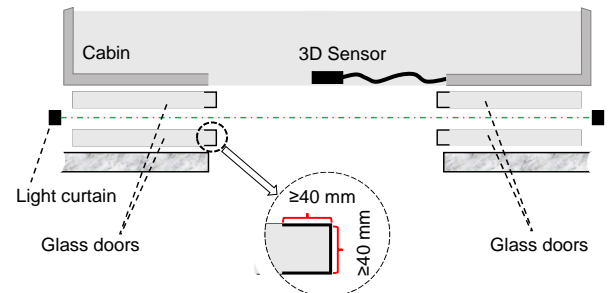


Figure 22: Metal side lengths for glass doors

- The mounting distance “S” is reduced according to chapter 6.5.3.3.
- The signal change for the door position must be generated for a door opening between 300 mm (11.81 in.) and 400 mm (15.75 in.), see chapter 5.8.
- Static mounting of the CabSafe 2D light curtain, assuming that the light curtain is not installed at the leading door edge because of the visible cable guiding, see chapter 5.9.2.

6.5.2 Mechanical installation

WARNING
Electrical and mechanical Hazards

Electrical shock and unexpected movement of the protected application can cause serious injury or death.

- ▶ Follow all applicable safety measures.
- ▶ Use only specific and approved tools.
- ▶ If the CabSafe 3D sensor has to be adjusted, the main power supply must be switched off and marked as out of service (LOTO Lock Out Tag Out).

NOTICE
 Mechanical damage to the CabSafe 3D sensor

- ▶ Do not drill additional holes into the sensor.
- ▶ Do not overtighten the mounting screws.
- ▶ Mount the brackets on a flat surface

6.5.3 Mounting position

IMPORTANT
 for a correct installation

A. Cable must exit right when looking into the elevator cabin (Figure 23, Figure 24, Figure 25)

B. The field of view of the sensor must be oriented towards the outside of the elevator cabin.

C. Elevators with glass doors or extraordinary reflective surfaces require

- a reduced installation distance to the door (see chapter 6.5.3.3) and
- a metal frame at the leading edge of the doors (see 6.5.1.2).

The mounting position of the CabSafe 3D sensor is dependent on the type of door opening.

6.5.3.1 Center opening door

The center of the sensor mounting bracket must be located in the center of the door entrance.

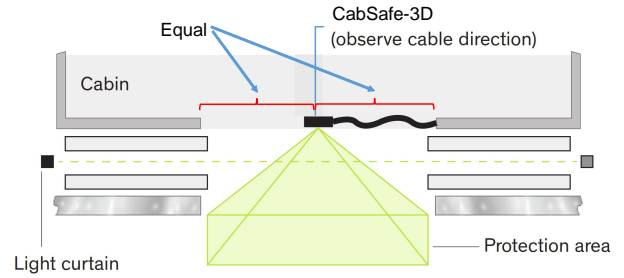


Figure 23: Mounting location and orientation - center opening door

6.5.3.2 Side opening door (left or right):

The sensor located near the slam post (strike jamb) and a minimum distance from the slam post (strike jamb) must be maintained; see Figure 24 and Figure 25 for details.

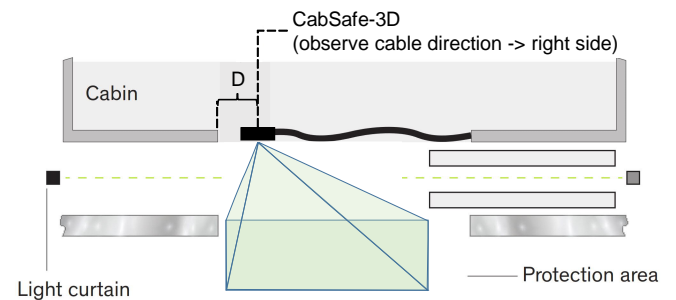


Figure 24: Mounting location and orientation – sensor mounted on left side

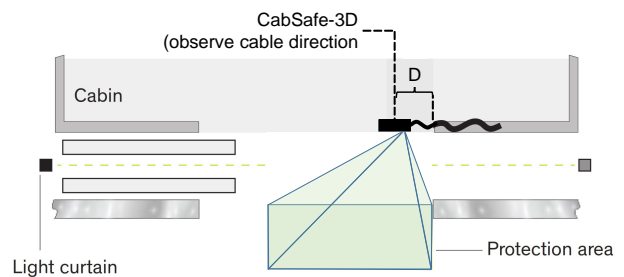


Figure 25: Mounting location and orientation – sensor mounted on right side

For left- and right-side door opening, the center of the mounting bracket should be positioned at a distance $D = 240 \pm 10$ mm (9.45 ± 0.4 in) from the slam post (strike jamb).

6.5.3.3 Mounting distance to the door

In flush mounting applications the center of the CabSafe 3D sensor should be positioned at a distance between 25 mm and 70 mm (0.98 in. and 2.76 in.) from the cabin door

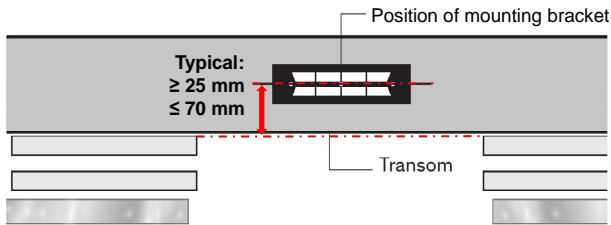


Figure 26: Typical installation distance CabSafe 3D sensor to the front of the cabin door (top view)

IMPORTANT
for glass elevators

For glass elevators the installation distance S has to be in the range of 25 mm to 70 mm (0.98 in. to 2.76 in.).

For backside transom applications (see also 6.5.4.4 **Fehler! Verweisquelle konnte nicht gefunden werden.**): for center, left or right door opening the maximum distance “S” of the center of the CabSafe 3D sensor to the front of the hoist way door (see Figure 27) shall be equal or less than 314 mm (12.36 in.) [Figure 27 to Figure 29].

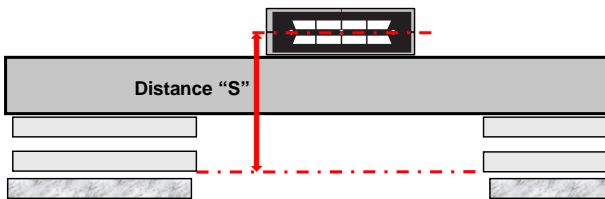


Figure 27: Installation distance CabSafe 3D sensor to the front of the hoistway door (top view)

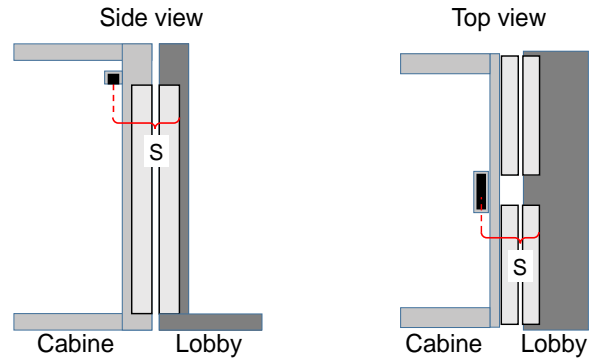


Figure 28: Installation distance CabSafe 3D sensor to the front of a single speed hoist way door

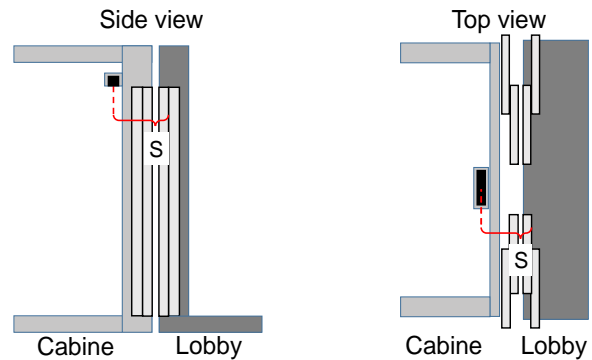


Figure 29: Installation distance CabSafe 3D sensor to the front of a two speed hoist way door (telescope)

6.5.4 Mounting brackets

The following mounting brackets are available for the installation of a CabSafe 3D sensor in the transom

Type	Remark
Flush mounting	Optional mounting plate for thin transoms (< 2 mm [0.079 in.]) available
Back transom mounting	Mainly for modernization

Table 26: Mounting hardware

6.5.4.1 Dimensions flush mounting bracket

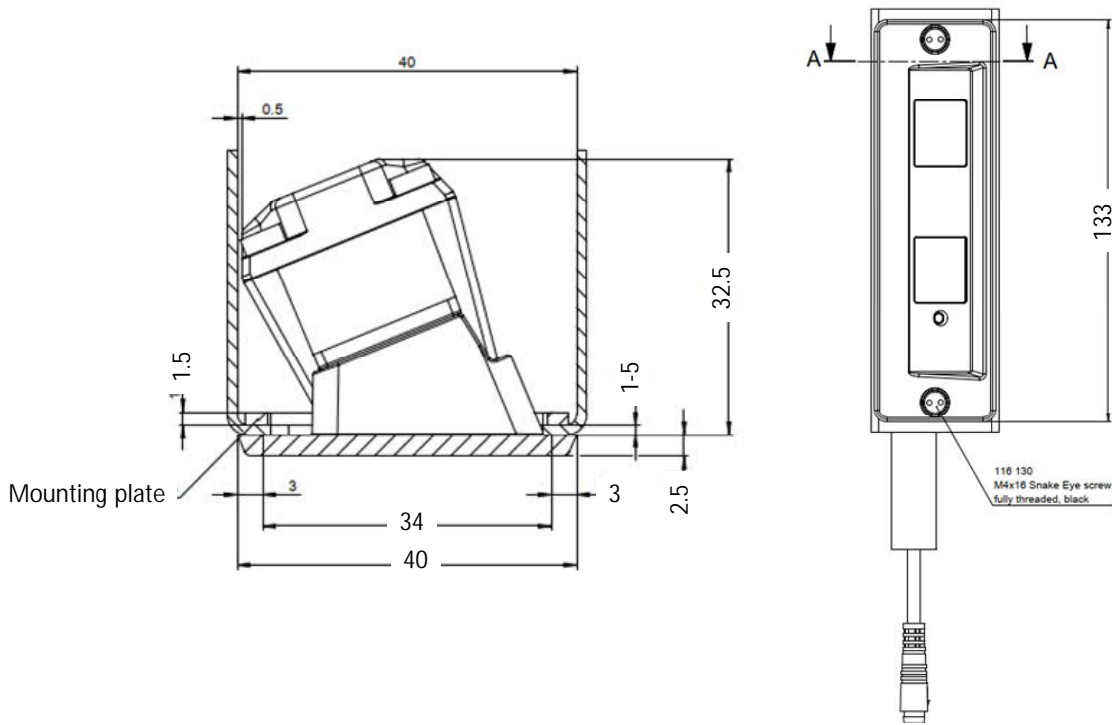


Figure 30: CabSafe 3D installed with flush mounting bracket and mounting plate

The dimensions of the flush mounting bracket looking outside of the transom are: 133 x 40 x 2.5 mm (5.2 x 1.24 x 0.51 in). Two holes with a diameter of Ø 4.5 mm (0.177 in.) are used to mount the bracket (see Figure 43).

6.5.4.2 Cut out for flush mounting

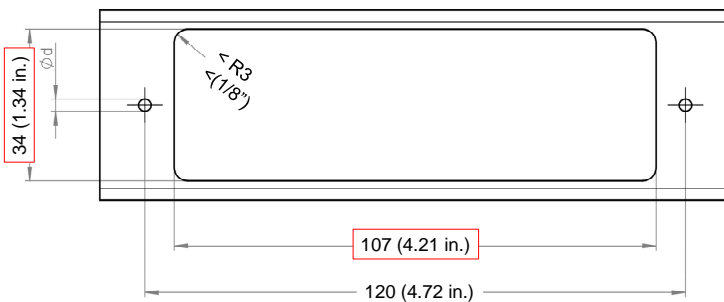


Figure 31: Cut out to install flush mount

The minimum cut out for the installation of the CabSafe 3D sensor is 107 x 34 mm (4.21 x 1.34 in.) The corner radius should be smaller than < 3 mm (0.118 in.).

For the two screws holes a diameter ("d") of 4.5 mm (0.177 in.; 3/17") shall be used if the sensor is

mounted with the mounting plate (see chapter 6.5.4.3).

6.5.4.3 Mounting plate kit

A mounting plate is available which is recommended for very thin transoms (transom thickness less than 2 mm (0.0787 in.).

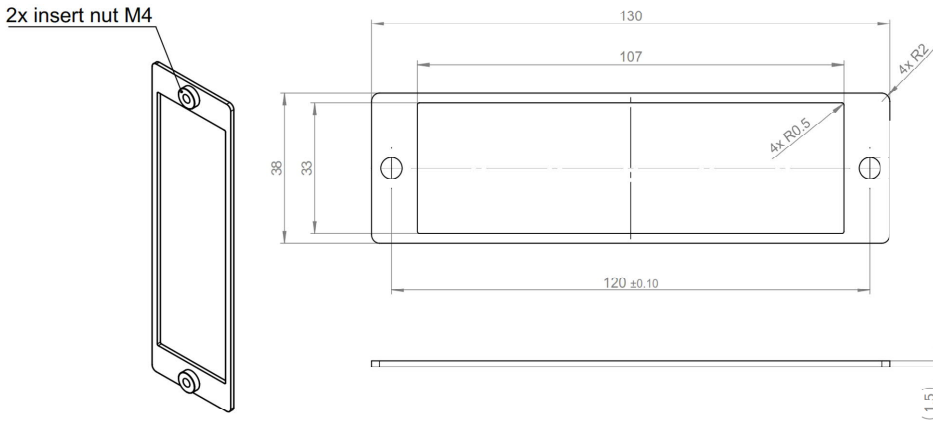


Figure 32: Mounting plate

The common sensor shipping kit includes the mounting plate, two snake eye screws (M4x16 mm, black, No. 8) and the corresponding bit (Hex Shank Size 1/4").

6.5.4.4 Back transom mounting

The Back of Transom mounting bracket is an accessory which can be used as an alternative to flush mounting the sensor in the elevator cab transom.

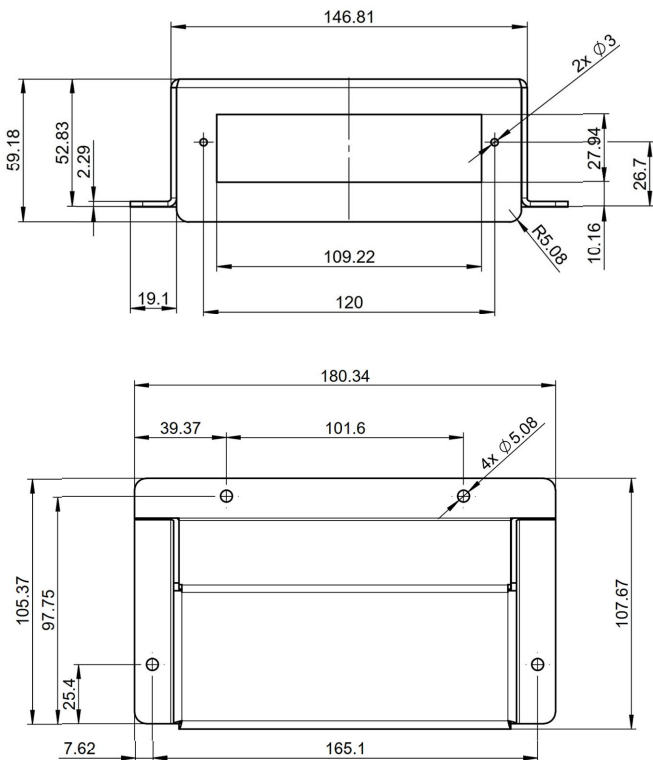


Figure 33: Dimensions Back of Transom mounting

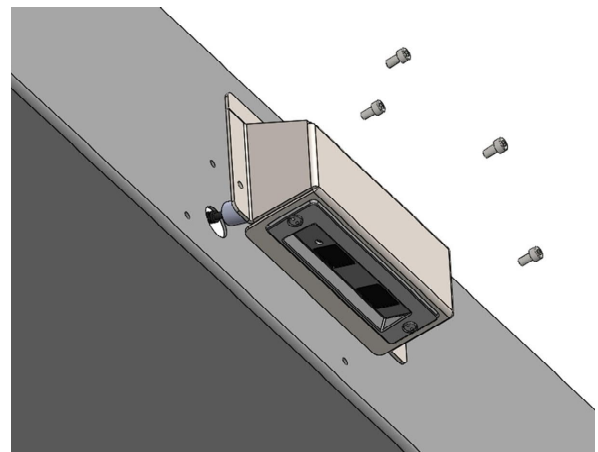


Figure 34: Back of Transom bracket

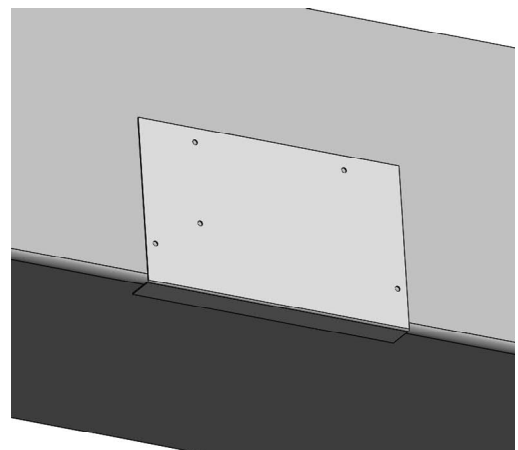


Figure 35: Mounting template

The bracket is constructed of stainless steel and should be installed on the transom in accordance with the requirements provided in chapter 6.5.1 to 6.5.3.

The back of transom sensor kit includes the following components:

- Back of Transom Bracket
- Mounting Template

- Four (4) Stainless Steel Tamper-Resistant Button Head Torx Screws
M5 x 0.80mm Thread, T25 Driver, 10mm Length
- Bushing for 7/8-inch hole

In addition, the following drill bits, tap and hole saw are needed (not included):

- 1/8-inch drill bit (for pilot holes)
- M4.2 drill bit
- M5 - 0.8 tap
- 7/8-inch hole saw (for bushing hole)

The mounting template provides the hole locations for the Back of Transom bracket (Figure 36).

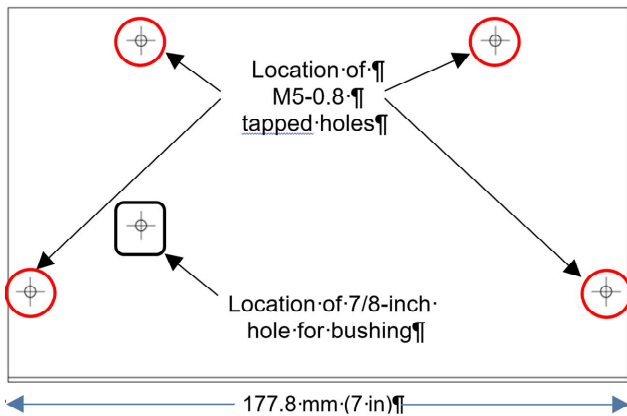


Figure 36: Mounting template

The mounting template shall be located in the following manner on the back of the transom:

- For center opening applications, the template should be centered in the center of the opening; or
- For side opening applications, the template should be located ~ 151.1 mm ±10 mm (~ 5.95 ± 0.4 in) from the slam post.
- For maximum distance “S” see chapter 6.5.3.3

The bottom of the template should wrap around the bottom of the transom.

Then,

- 1) the 1/8-inch drill bit shall be used to drill pilot holes at each of the locations on the template.
- 2) the four perimeter holes (shown in the diagram above) shall be drilled using an M4.2 bit.
- 3) the four perimeter holes shall be tapped using the M5-0.8 tap.
- 4) Drill the hole located more to the center left using the 7/8-inch hole saw.

The sensor shall be assembled into the back of transom bracket. Therefore the sensor is inserted into the bottom of the bracket and then secured using the tamper-proof spanner screws that were included with the sensor.

When complete, the sensor should be mounted as shown in Figure 37. Note: the cable should exit to the right of the sensor as shown.



Figure 37: CabSafe 3D Sensor installed in back of transom bracket

The bushing shall be inserted into the 7/8-inch hole of the transom and then the cable be routed from the CabSafe Controller through the hole and connect the CabSafe 3D sensor.

The mounting bracket is secured to the transom using the M5 screws included with the back of transom bracket into the four tapped mounting holes. The lip at the bottom of the bracket should be positioned under the transom such that the bracket mounts flush to the side wall of the transom.

6.6 Electrical connection CabSafe 3D

Cable connection

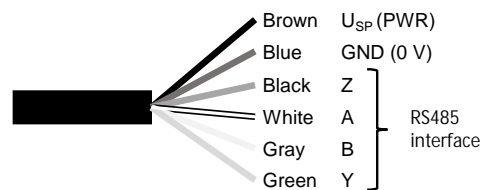


Figure 38: Electrical connection CabSafe 3D sensor

Important: The CabSafe 3D sensor must be connected to the corresponding input at a CabSafe Controller (see Figure 5 and Figure 6).

For cable guiding see also chapter 5.3.

6.7 Field of view

The position of the field of view relative to the sensor depends on if the sensor is set for center, left or right opening (see chapter 5.9.1). The 3D detection field fulfills the approaching object requirements specified in ASME A17.1-2019 / CSA B44:19 as shown in Figure 39 below.

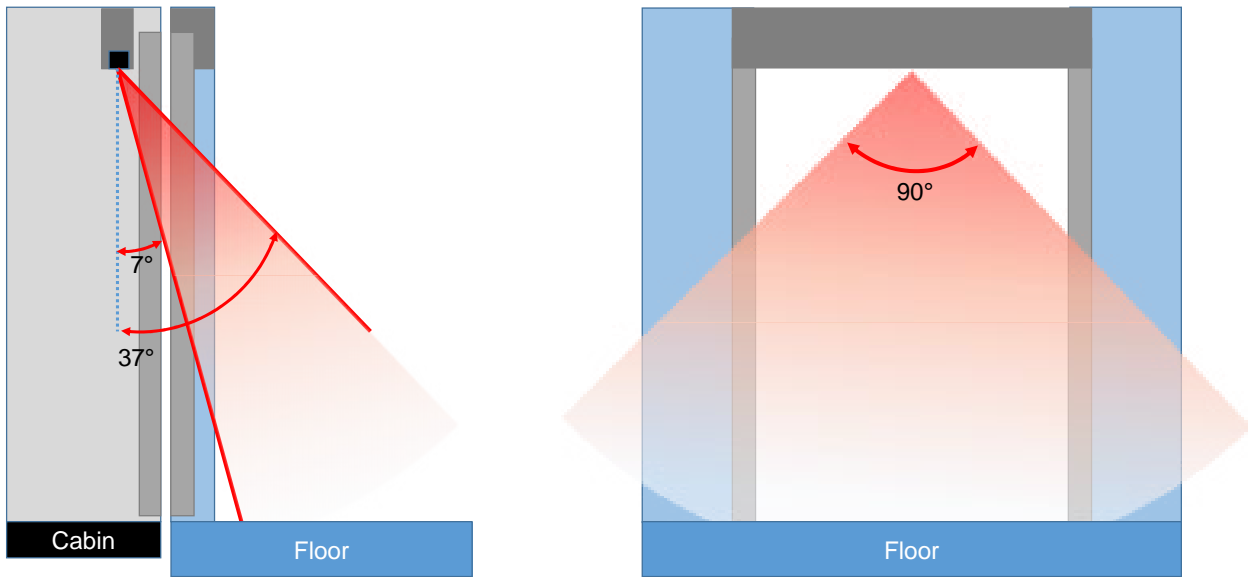


Figure 39: Field of view (approximate data)

For elevator banks that have elevators that face each other, interference between approaching object sensors can occur. To prevent such interference, the operation frequency of the CabSafe 3D sensor should be configured using DIP11 on the CabSafe Controller (see chapter 5.9.6)

For example, Figure 40 shows a bank of elevators where there are three elevators on one side of a hallway and three elevators on the opposite side of the hallway. For these applications, DIP11 is set to “0” on the one side (i.e. top elevators shown in the diagram) and to “1” on the other side (i.e. bottom elevators shown in the diagram). illustrates schematically a hall way with several elevators installed side by side as well as opposite:

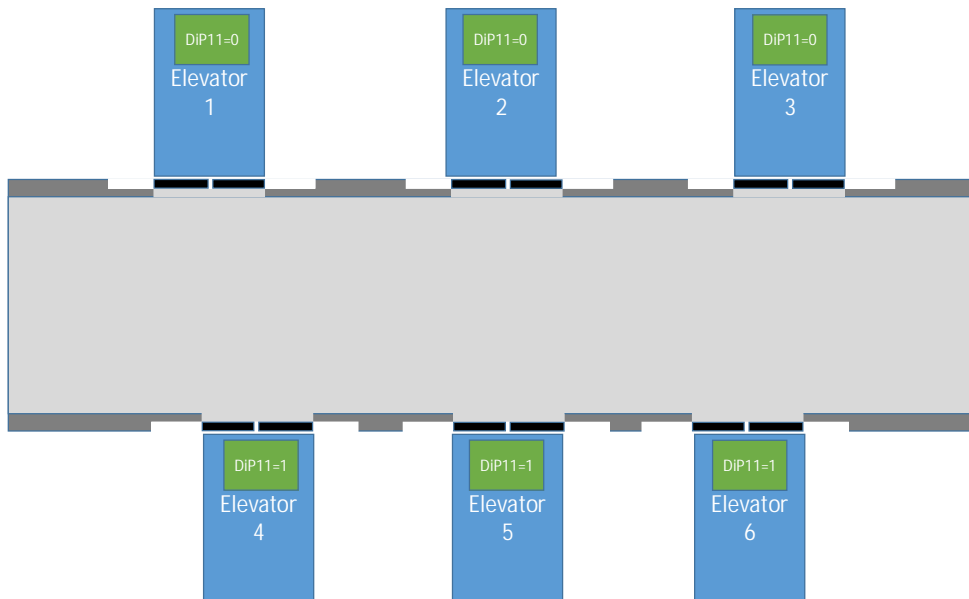


Figure 40: Schematic hall way with multiple elevators positioned face to face.

6.8 Timing diagram

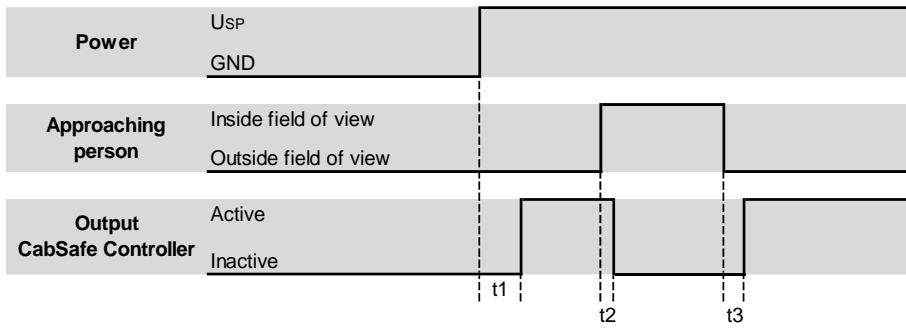


Figure 41: Timing diagram

	time	Value [ms]
Power Up time CabSafe System	t1	< 5 s
Typical response time	t2	<250 ms
Release time	t3	Min. 1.5 s

Table 27: Descriptions for the timings in Figure 41

The CabSafe 3D sensor detects moving persons and objects. The recalibration time of CabSafe 3D sensor is set to 1.5 s. This means a moving object that becomes static for more than 1.5 s is then ignored by the CabSafe 3D sensor.

Information:

Door open times > 3 minutes and

- no detection of the 3D-Sensor and no detection of the CabSafe 2D light curtain or
- a permanent interruption of the CabSafe 2D light curtain

cause a reduced frame rate of the CabSafe 3D sensor, upon any detection within the 3D and/or 2D field, the 3D sensor will return to normal operation.

6.9 Start-up CabSafe 3D

After installation (chapter 6.5):

1. Switch on mains and power-up the elevator control unit.
2. Check the LED on the front of the CabSafe 3D sensor (see Table 28).
3. Test and document if the system is working correctly by interrupting the CabSafe 3D walking toward the elevator cab entrance and ensuring that you are detected by the CabSafe 3D sensor.

6.10 LED status description

The LED of the CabSafe 3D sensor is a 3 color LED (Red / Green / Blue).

LED color	LED state	Description
OFF	○	No power
Green	●	Object detected
Blue	●	No object
Blue pulse	☀ 300 ms on, 900 ms pause	Sleep (3D inoperative)
Red	☀	Error, see table "Error Pulse Code"

Table 28: LED indicators CabSafe 3D

● = LED on; ○ = LED off; ☀ = LED blinking

Error No	Pulse Code	Description
1	1 flash, 1 pause	Internal sensor error or manipulation
3	3 flash, 1 pause	Configuration error (wrong DIP-switch setting on CabSafe Controller)
4	4 flash, 1 pause	Internal sensor error, replace sensor
6	6 flash, 1 pause	Communication problem 3D

Table 29: Error code description

Pulse code:

flash = 300 ms On / 300 ms Off

pause = 1800 ms

6.11 Troubleshooting

LED	Action
OFF	▶ Check electrical connections. Check supply voltage of the door controller.
Blue ON	Normal operation, no object detected
Green ON	Normal operation, object detected
Blue ON/OFF-blinking	▶ Normal operation, <ul style="list-style-type: none"> • the CabSafe 3D sensor is «rendered inoperative» (chapter 4.2) • 3D-timeout (after 5 seconds; chapters 4.2, 5.3 and 5.11) For dynamic installations and the CabSafe 3D sensor is rendered inoperative by the light curtain: check alignment of CabSafe 2D light curtain in case the blinking continuous at open door immediately after interrupting the light curtain.
Red blinking	▶ Make sure that the optic of the CabSafe 3D sensor is oriented towards the outside of the cabin. ▶ Make sure the field of view is clear of interruption. ▶ Clean the optical windows with a soft cloth. ▶ Make sure that the cable is located away from sources of electromagnetic interference. ▶ Measure the supply voltage to the CabSafe Controller. ▶ Restart the system.

Table 30: Troubleshooting

If a problem persists, please contact your local CEDES representative. Visit www.cedes.com for contact data.

6.12 Maintenance

Although the CabSafe 3D sensor does not need regular maintenance, a periodic functional check is strongly recommended:

- ▶ Make sure the front lenses are clear of dirt and dust. If necessary, clean the front lenses with a soft cloth.
- ▶ Ensure that the sensor is securely mounted.
- ▶ Check the mounting position, cable routing and connection of the sensor.
- ▶ Check the detection behavior of the CabSafe 3D sensor

NOTICE

Damage to the optical elements

- ▶ Never use any solvents, cleaners or mechanically abrasive towels or high-pressure water to clean the sensor.
- ▶ Avoid scratching the optical elements while cleaning.

WARNING

The sensor should never be opened. If it is opened accidentally, the laser radiation can reach Class 4 level and exposure of eyes or skin to direct or scattered radiation must always be avoided.

In the case of a defective or missing cover glasses or lenses, switch the power supply off immediately.

6.13 Product label

Each CabSafe 3D sensor is labeled with three product labels. The labels are attached to the back side of the sensor.

CEDES AG
 Science Park
 SWISS MADE CH-7302 Landquart

CabSafe 3D-FB
 Order No.: 115 867
 Part No.: 115 868
 HW 1.03 / SW 1.00

ASME A17.1-2019 / CSA B44:19
 Lot 200417/00654321/01234/000048

Laser
 1

PRÉCAUTION: NE PAS OUVRIR!
 LASER CLASS 4 À L'INTÉRIEUR
 CAUTION: DO NOT OPEN!
 LASER CLASS 4 INSIDE

Lobby

Cabin

Power 24.0 ... 28.8 VDC
 Current: 450 mA RMS at 24VDC
 us CSA B44.1:19 / ASME A17.5-2019

Figure 42: Product labels CabSafe 3D-FB sensor

1xx xxx	Customer order number consisting of 6 digits with space after the third
1xx xxx	CEDES internal part number consisting of 6 digits with space after the third
CabSafe 3D	Part description of the CabSafe 3D sensor (see also chapter 6.3)
Lot number	Manufacturing Date (190719), manufacturing job number (12345678), employee number responsible for final test (01234), and serialization (123456).
HW / SW Index	Increasing digits with the following meaning: 1.xx: major changes, e.g. additional functionality x.0x: error correction, bug fix, new compilation, no additional functionality x.x0: 'cosmetic' update, no functional influence
2D Bar code	Part number and Lot number

Table 31: Label information

Printed part numbers and order numbers for the individual CabSafe 3D sensors:

Product type (see chapter 6.3 and 6.5.1.1)	Order / part number
CabSafe 3D-FB	ON: 115 867 PN: 115 868
CabSafe 3D-FB-TDL	ON: 116 400 PN: 116 402
CabSafe 3D-FB-TDR	ON: 116 403 PN: 116 404
CabSafe 3D-FS	ON: 116 310 PN: 116 311
CabSafe 3D-FS-TDL	ON: 116 405 PN: 116 406
CabSafe 3D-FS-TDR	ON: 116 407 PN: 116 408

Table 32: Printed label information

6.14 Technical Data CabSafe 3D sensor

6.14.1 Mechanical

Attribute	Value
Sensor body dimensions (l x h x w)	104.9 x 32.5 x 40 mm (4.13 x 1.28 x 1.57 in.)
Flush mount (l x h x w)	133 x 40 x 2.5 mm (5.24 x 1.57 x 0.098 in.)
Material	Aluminum
Surface treatment	Electrophoretic coating
Black	Copper-Nickel-Chromium plated
Stainless	
Weight	173 Gramm

Table 33: Mechanical data

The label includes information according to the Table 31

6.14.2 Environmental

Attribute	Value
Enclosure rating	IP65
Operating temperature	-20°C ... +50°C (-4°F ... 122°F)
Storage temperature	-40°C ... +85°C (-4°F ... 185°F)
Max. ambient light	50'000 Lux

Table 34: Environmental data

6.14.3 Operation characteristics

Attribute	Value
Wavelength of light	Infrared, 850 nm
Min. installation height	2 m (6.56 ft.)
Max. installation height	Up to 3.05m (10 ft) [see chapter 6.5.1]
Max. elevator door width	Up to 1.37 m (4.5 ft) [see chapter 6.5.1]
Supply voltage U _{SP}	24 – 28.8 VDC (provided by the CabSafe Controller)
Current	450 mA RMS at 24VDC
Communication interface	RS485
Number of status LEDs	1 multicolor

Table 35: Operational characteristics

6.14.4 Connection cable and connectors

Attribute	Value
Pig tail	
Length	250 mm (9.84 in.)
Dimension ferrite	Ø15 mm (0.59 in.), Length 40 mm (1.57 in.)
Connector	M8-6pin, black, Ø10 mm (0.39 in.)
Material	PVC, black
Connection cable	
Length	2.8 m (9.19 ft.) or 5 m (16.4 ft)
Connector	M8-6pin, black, Ø10 mm (0.39 in.)
Material	PVC, black
Connector to CabSafe Controller	WAGO, 6-pin
Wires	
AWG	AWG26
brown	USP
blue	GND (0V)
black	Communication (RS485)
white	Communication (RS485)
gray	Communication (RS485)
green	Communication (RS485)

Table 36: Specification for cables and connectors

6.14.5 General

Attribute	Value
EMC emission	EN 12015:2014
EMC immunity	EN 12016:2013 ISO 22200:2009
Vibration	IEC 60068-2-6:2007
Shock	IEC 60068-2-27:2008
Eye Safety	IEC 60825-1:2014 Ed.3; 21 CFR 1040.10
RoHS, REACH	2011/65/EU, 1907/2006 EU
Certificates cCSAus	CSA B44.1:19 / ASME A17.5- 2019
Liftinstituut CE FCC	ASME A17.1-2019 / CSA B44:19 2014/30/EU, 2014/33/EU Class B (*)
FDA Accession Number	2010829

Table 37: General data

(* = See note for FCC in 5.22.5)

6.15 Dimensions CabSafe 3D sensor

All dimensions in this chapter are in mm.

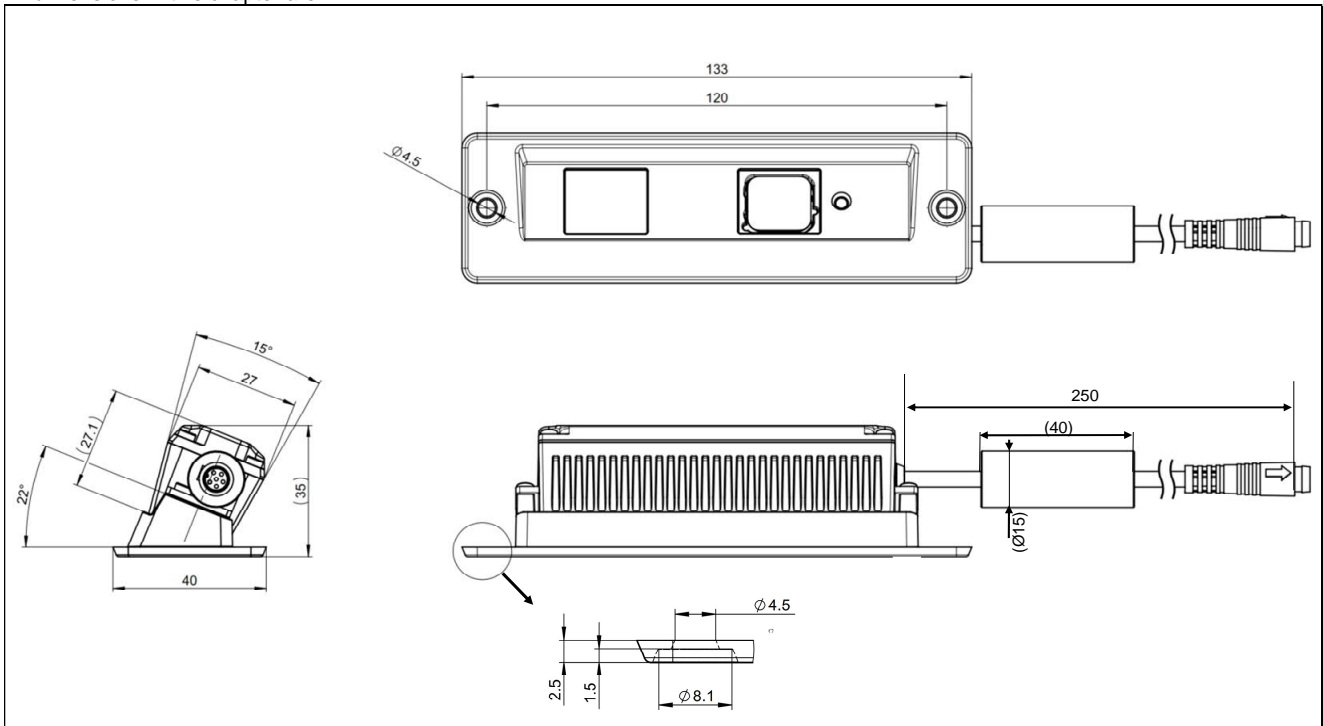


Figure 43: Dimensions CabSafe 3D sensor body

Dimensions for the installed sensor are provided in chapter 6.5.4.

7 Disposal

The CabSafe-System or components of the CabSafe-System should only be replaced if a similar protection device is installed. Disposal should be done using the most up-to-date recycling technology according to local regulations and laws. There are no harmful materials used in the design and manufacture of the sensor. Traces of such dangerous materials may be found in the electronic components but not in quantities that are harmful.

Waste Electrical and Electronic Equipment (WEEE):

At the end of life, this equipment should be collected separately from any unsorted municipal waste.